

75 cents

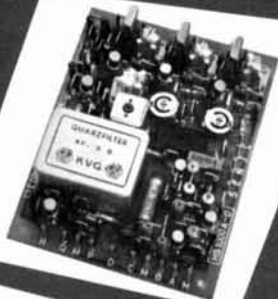
*hr*_{mw}

focus
on
communications
technology . . .

ham radio

magazine

JUNE 1969



SOLID-STATE
single-band
SSB
transceiver



PAGE 8

this month

- external-anode tetrodes 23
- fm communications receiver 32
- rty tuning unit 38
- top-loaded vertical antenna 48



HANDS OFF

Tired of twiddling and twiddling with the tuner to dig out a solid signal . . . of chasing QSO's up and down the band?

The answer is Collins' 75S-3B Receiver. Most stable front end and sharpest selectivity offered in a ham receiver.



many have tried
but **SWAN SUCCEEDED**



a complete station
for only

\$395.00 Just hook the Model 260 to an antenna and you're on the air.

Its that simple! There is nothing else on the market comparable to the 260. Look what you get for \$395.00.

★ Complete frequency coverage on all five bands ★ 10 meters ★ 260 watts PEP
★ Built-in power supply . . . AC and DC ★ Portable . . . only 26 pounds, complete with handle, built-in speaker and mike ★ Designed and built with the same ruggedness, reliability and craftsmanship that has made Swan a household name the world over.

And coming very soon will be another star in the Swan line, the 270 deluxe. Everything that the 260 has, plus many additional features for those who can pay a little more. The 270 will sell for \$495.00, still a low price for a complete station.

And if you need an antenna, Henry Radio can make that a simple matter with its cost saving Antenna Package Program.

We know its hard to believe, but come on in to a Henry Radio Store for a demonstration. If you can't come in . . . write or phone. We'll give you more information, terms, and will ship anywhere.

EASY FINANCING • 10% DOWN OR TRADE-IN DOWN • NO FINANCE CHARGE IF PAID IN 90 DAYS • GOOD RECONDITIONED APPARATUS • Nearly all makes & models. Our reconditioned equipment carries a 15 day trial, 90 day warranty and may be traded back within 90 days for full credit toward the purchase of NEW equipment. Write for bulletin.

TED HENRY (W6UOU)

BOB HENRY (WØARA)

WALT HENRY (W6NRV)

CALL DIRECT . . . USE AREA CODE

Henry Radio Stores

Butler, Missouri, 64730

816 679-3127

11240 W. Olympic, Los Angeles, Calif., 90064

213 477-6701

931 N. Euclid, Anaheim, Calif., 92801

714 772-9200

"World's Largest Distributor of Amateur Radio Equipment"

The Hammarlund Superpro.

Nothing else even comes close.

For continuous communications under the most difficult conditions — when the message *must* get through — Hammarlund Superpros have been the mainstay of Armed Forces and Government Agencies around the world!

The world famous Hammarlund SP-600 series Communications Receiver is available in three frequency ranges (10 KHz-540 KHz, 100 KH-29.7 mHz, 0.54 mHz to 54 mHz); single or dual diversity. In cabinet or rack mounted units.

Tunable over 6 continuous bands, each band has 6,000 readable settings! Sensitivity of 1.0 microvolt on CW/SSB, 2.0 microvolts on AM. Image rejection is at least 74 db down and spurious responses at least 100 db down. Selectivity with three crystal and three non-crystal filter positions is from 200 Hz to 13 kHz. Radiation is negligible with no cross talk in multi-receiver installations.



The SPC-10 Single Sideband Converter can be operated with any receiver having an IF frequency of 450 to 500 kHz. When interconnected with the SP-600, it provides SSB reception at its best. The SPC-10 is a completely

self-contained unit with a tunable 60 db slot filter. Selectivity is variable in seven distinct steps. Selectable AVC. Together the Hammarlund SP-600 and SPC-10 have set a standard of performance rarely, if ever, equaled.

Send for the SP-600 brochure—it has all the facts!



The **HAMMARLUND**
Manufacturing Company Incorporated

A subsidiary of Electronic Assistance Corporation
73-88 Hammarlund Drive, Mars Hill, North Carolina 28754



june 1969

volume 2, number 6

staff

editor

James R. Fisk, W1DTY

roving editor

Forest H. Belt

vhf editor

Nicholas D. Skeer, K1PSR

associate editors

A. Norman Into, Jr., W1CCZ

Alfred Wilson, W6NIF

James A. Harvey, WA6IAK

art director

Jean Frey

publisher

T. H. Tenney, Jr. W1NLB

offices

Greenville, New Hampshire
03048

Telephone: 603-878-1441

ham radio magazine is published monthly by Communications Technology, Inc., Greenville, New Hampshire 03048. Subscription rates, world wide: one year, \$6.00, three years, \$12.00. Second class postage paid at Greenville, N.H. 03048 and at additional mailing offices.

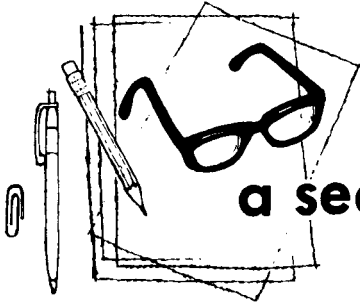
Copyright 1969 © by Communications Technology, Inc. Title registered at U. S. Patent Office. Printed by Capital City Press, Inc. in Montpelier, Vermont 05602, U.S.A.

Microfilm copies of current and back issues are available from University Microfilms, 313 N. First Street, Ann Arbor, Michigan 48103.

Postmaster: Please send form 3579 to **ham radio** magazine, Greenville, New Hampshire 03048.

contents

- 8 **single-band ssb transceiver**
James R. Fisk, W1DTY
- 23 **external-anode tetrodes**
William I. Orr, W6SAI
- 27 **lighthouse tubes for uhf**
Robert I. Sutherland, W8UOV
- 30 **watercooling the 2C39**
Michael B. Staal, K6MYC
- 32 **fm communications receiver**
David M. Stahley, K8AUH
- 38 **getting started on rty**
E. C. Sherrill, K6JFP
- 44 **wiring and grounding**
James E. Ashe, W1E2T
- 48 **top-loaded 80-meter vertical antenna**
George A. Cousins, VE1TG
- 52 **cw selectivity with crystal bypassing**
John J. Schultz, W2EEY
- 56 **the homebrew art**
Bill C. Hayward, W0PEM
- departments**
- | | |
|----------------------|-----------------|
| 4 a second look | 66 ham notebook |
| 94 advertisers index | 70 new products |
| 81 flea market | 58 propagation |



a second look

by **Jim Fisk**

It seems that more and more stations are getting ready for serious moonbounce work. And by the end of the summer the number will probably double. Stations capable of eme work were pretty scarce three or four years ago—only the most serious and persevering workers ever made the grade. But techniques have been improved, and probably more important, equipment is available so just about anyone can hear his own two-meter echos from the moon.

In the days right after World War II, when the first radio signals were bounced off the moon by Army experimenters at Fort Monmouth, New Jersey, it wasn't nearly so simple: 8 kW input on 111 MHz, a tremendous billboard antenna with 64 phased dipoles and an incredibly complex receiver with a 50-Hz passband. Even then the moon echos were weak, and success unpredictable. (To improve reliability, the Army eventually increased transmitter power to 100 kW.)

With this kind of a background, the prospects of amateur communications via the moon were pretty remote, but W3KGP and W4AO launched Project Moonbeam in the late 1940's with a goal of bouncing two-meter signals off the lunar surface. All indications were that a successful effort would require the full amateur power limit, antenna gain of at least 20 dB and receiver performance that was practically unattainable. But in July, 1950, came something like an echo, faint and indefinite, but it sounded like the real thing and it was captured on a wire recorder. Test after test followed, with failure after failure, but finally, 2½ years later, and many equipment changes in between, they managed to record a whole series of echos off the moon.

After this initial amateur success, progress was slow. Many amateurs tried, but few succeeded. There was a flurry of activity as ama-

teurs built bigger and bigger two-meter arrays and high powered amplifiers—but successes were limited and there were no two-way eme communications.

Until practical parametric amplifiers became available, moonbounce activity was confined to two meters. Even with a low-noise front end, moonbounce attempts on 432 MHz were impractical because of the power limitation, so the next logical step was 1296 MHz. After a lot of sweat and tears, W1BU came on the air in early 1960 with a 1296-MHz station that could bounce signals off the moon with some degree of reliability. W1FZJ extended the challenge to vhf enthusiasts; Hank Brown, W6HB, picked it up, and shortly thereafter the first two-way amateur contact via the moon's surface was history.

Since then progress has been slow but steady. Nearly all the vhf bands up to 1296 MHz have some sort of moonbounce activity, but at the moment two meters is the most popular. Nor is activity confined to the United States; successful moonbounce stations are located in Australia, Finland, France, Greece, New Zealand and Sweden.

Moonbounce is still a very sophisticated method of vhf communications, but on two meters at least, it is within the grasp of any serious worker. Moonbouncers K6MYC and W6DNG live on city-sized lots, so space limitations are apparently no problem. KØMQS uses all commercial equipment except for the antenna, so equipment is not a problem. The only other major problem is perservance—but nevertheless, more and more stations will be showing up on the low end of two with their antennas pointed toward the moon. And in the not to distant future, working all 50 states on two meters may even be a reality.

Jim Fisk, W1DTY
Editor

POWER

NCL-2000 Linear Amplifier
another great one
from NRCI



The NCL-2000 is desk-top dynamite in the form of a 2000-Watt 5-band linear amplifier. If you want high efficiency, superb linearity, operator-oriented design, and contest-winning punch in a pile-up, the NCL-2000 is your kind of linear. NRCI reliability engineering also assures that there's no need to retune with every frequency shift. Turn on the legal limit in this beautiful package.

- Frequency Range: 80, 40, 20, 15 and 10 meter bands, with significant band-edge overlap for MARS service.
- Input Power: SSB — 1000 Watts average, 2000 Watts PEP. AM, CW, RTTY — 1000 Watts.
- Output Power: SSB — 1300 Watts PEP minimum

on all bands. AM — 300 Watts minimum. CW, RTTY — 600 Watts minimum. Drive Requirements: 20 to 200 Watts, PEP, adjustable. Output Impedance: 40 to 60 Ohms (minimum). Power Supply: Built-in, solid-state design. 115 V.A.C. or 230 V.A.C. Draws 15 amperes maximum at 230V. Tubes and Semiconductors: Two 8122 ceramic tetrode output tubes, plus 13 semiconductors. Fully metered, safety engineered.

PLUS: ALC provisions, internal dummy exciter load, full-access front and rear panel design, and time delay, plate overload, plate power and antenna relays.

AMATEUR NET PRICE: \$685.00

See your favorite dealer, or write directly to factory for complete specifications and description.



NATIONAL RADIO COMPANY, INC.

NRCI

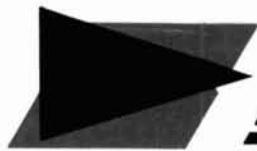
37 Washington Street, Melrose, Mass. 02176
Telephone: (617) 662-7700 TWX: 617-665-5032

International Marketing through: Ad. Auriema, Inc., 85 Broad Street, New York, New York 10004
© 1969, National Radio Company, Inc.

convenience



speaks for itself...



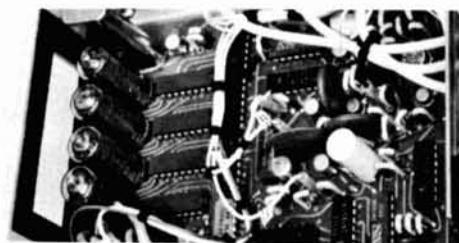
signal/one

Here are a few reasons why the CX7 speaks "convenience"...

INSTANT BAND CHANGE without tuneup is made possible by the CX7's broadband driver and band-pass P. A. output filters pre-tuned for each ham band from 160 through 10 meters. Yet badly mismatched or reactive loads (into which no broadband amplifier can deliver full power output and linearity) may be manually matched in a few seconds. Manual tuning also permits normal operation outside amateur bands.



DIRECT, INSTANTANEOUS FREQUENCY READ-OUT TO 100 Hz from the built-in integrated circuit digital counter. No more squinting, extrapolating, interpolating or ambiguous dial readings. The display shows exactly where you are - transmitting or receiving - instantly.



TRANSCIVER-PLUS-RECEIVER PERFORMANCE

with two identical precision VFO's, each tuning a full 1 MHz range plus ample end overlap for MARS, etc.

SIGNAL/ONE's unique dual-receive system permits listening simultaneously to two different frequencies anywhere in the band, with relative RF gain control - essential to avoid suppression of a weak signal by a stronger one. And you can transmit on either frequency, too.



Some of the outstanding dealers who can give you the SIGNAL/ONE convenience story are:

Amateur Wholesale Electronics,
Coral Gables, Florida
Amrad Supply, Inc.,
Oakland and San Francisco, California
Douglas Electronics,
Corpus Christi, Texas
Electronic Distributors, Inc.,
Muskegon, Michigan
Harrison Radio,
Farmingdale, Jamaica, and New York, N.Y.
Henry Radio,
Los Angeles and Anaheim, California;
Butler, Missouri
Stellar Industries,
Ithaca, New York

PUSH-BUTTON SPOTTING lets you instantly check exact transmit frequency... read it at a glance...

SPOT

hear an audible beat if it's within 3 kHz of the receive frequency.

FAST, SILENT DIGITAL VOX means no more clanking relays-or clipped syllables - designed to be used.

STATE-OF-THE-ART CW... at last!

- TRUE BREAK-IN (not just VOX)
- RAZOR-SHARP SELECTIVITY options
- INSTANT SPOTTING with either...
 - SPLIT FREQUENCY (dual VFO's) or
 - UNIQUE VARIABLE OFFSET, which

lets you enjoy all the convenience of transceiving on CW, yet you can set the transmitter up to 3 kHz above or below the receiver with a flick of the wrist!



- CAREFULLY SHAPED RF carrier keying



- BUILT-IN DIGITAL KEYS

METERING OF ALL CRITICAL FUNCTIONS

CLIP DRIVE PLATE SCREEN FWD REV

... at the push of a button.

FREEDOM FROM CLUTTER... with all the essential "accessories" built in, there's no need for a tangle of patch cables.

EVERYTHING YOU NEED for flexible, high performance communications... in one sleek cabinet! (Just add an antenna and mike or key.)

Write for an illustrated brochure describing the SIGNAL/ONE Model CX7 "Deluxe Integrated Station"

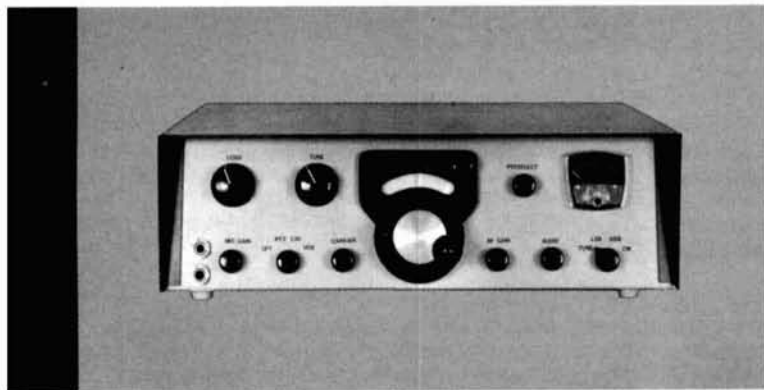


"It Speaks for Itself"

SIGNAL/ONE

A Division of ECI (An NCR Subsidiary)

2200 Anvil Street N. • St. Petersburg, Florida 33710



homebrew single-band ssb transceiver

Complete construction
details for the
HR ssb transceiver—
an easy-to-build
modern design
for 75 meters
incorporating
integrated circuits,
transistors and
a vacuum-tube final

Jim Fisk, W1DTY, Box 25, Rindge, New Hampshire 03461

Although solid-state has been with us for a long time, there have been very few reproducible solid-state transceiver designs in the amateur literature. Most of the homebrew ssb transceivers that you hear on the bands—although they are few and far between—are tube types. In fact, the only station I have worked using a homebrew solid-state ssb transceiver was UF6ACR in the U.S.S.R.

Evidently solid-state is new enough that few amateurs are willing to tackle a project as large as a transceiver. The big hangup, of course, is the sideband generator; amateurs are willing to build microphone preamps, electronic keyers and rf power amplifiers, but when it comes to balanced modulators and crystal filters, they stop.

When Spectrum International* started advertising miniature solid-state sideband exciters several months ago, I was really intrigued. A quick note brought more detailed literature. The ssb exciter, made in West Germany by DJ3CI, includes a three-stage microphone preamp, crystal-controlled oscillators, balanced ring modulator and a 9-MHz crystal filter. All the hard work is done—here is a miniature solid-state source of 9-MHz ssb with 55 dB carrier suppression and 45 dB suppression of the unwanted sideband. In ad-

dition to the selectable sideband capabilities of the module, it has provisions for a-m, fm and CW.

I was particularly interested in the KVG crystal filter used in the transceiver module. This 8-pole crystal filter is very popular in Europe. Its excellent passband characteristic has a shape factor of 1.66:1 from 6 to 60 dB down; minimum stop-band rejection is greater than 80 dB.

duced to a balanced mixer stage along with the output from the vfo crystal-oscillator circuits. For operation on the 3.5 and 14 MHz bands, no crystal oscillator or mixer stage is required; the output from the 5.0 to 5.5 MHz vfo is injected directly into the balanced mixer.

The output of the balanced mixer is amplified by several broadband amplifier stages. The transistors in these stages are run in class

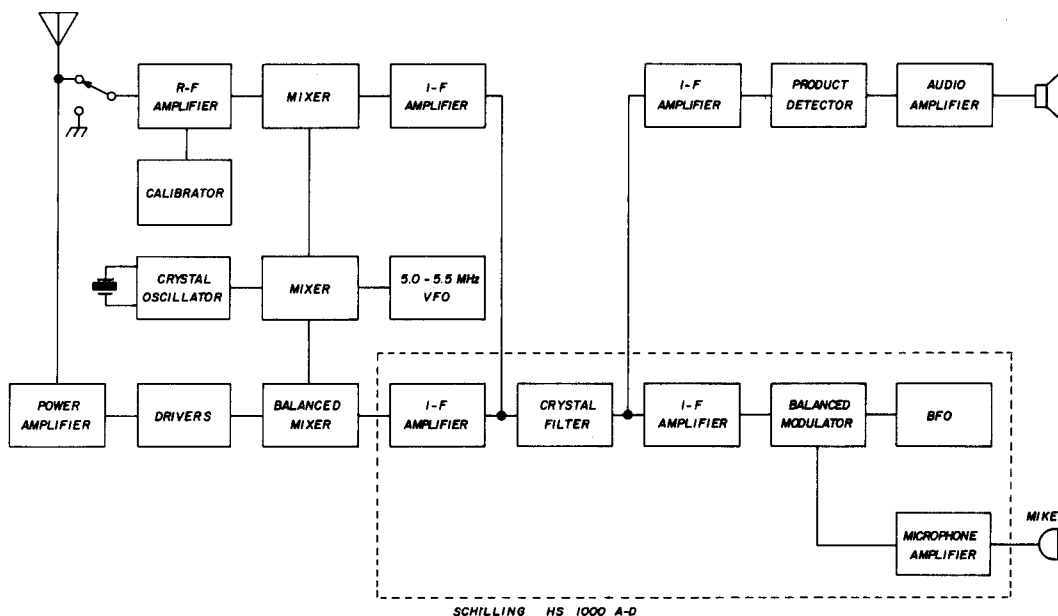


fig. 1. Block diagram of the single-band transceiver.

design

To keep things as simple as possible, the initial design was for a single-band unit. This is in keeping with most mobile and portable operation and minimizes the mechanical problems of bandswitching. Also, with the single-band approach, the same basic design philosophy can be applied to the vhf bands with very few changes.

A block diagram of the complete transceiver is shown in fig. 1. The imported ssb exciter module is enclosed in a dotted box. The 9-MHz output of the module is intro-

B for minimum distortion and maximum efficiency. Gain is lower in this configuration, but linearity is good, and no external tuning is required. If you are willing to put up with an external control for peaking up these driver stages, you could probably delete one of the broadband amplifiers. These transistors are inexpensive, though, and for my money the operating convenience of minimum tuning is worth the additional stage.

The vfo uses the basic fet Seiler oscillator described previously¹ followed by a class-A buffer stage and emitter follower. For operation on 80 or 20, this is all that is necessary.

The final power amplifier provides about

* Spectrum International, Box 87, Toppsfield, Massachusetts 01983

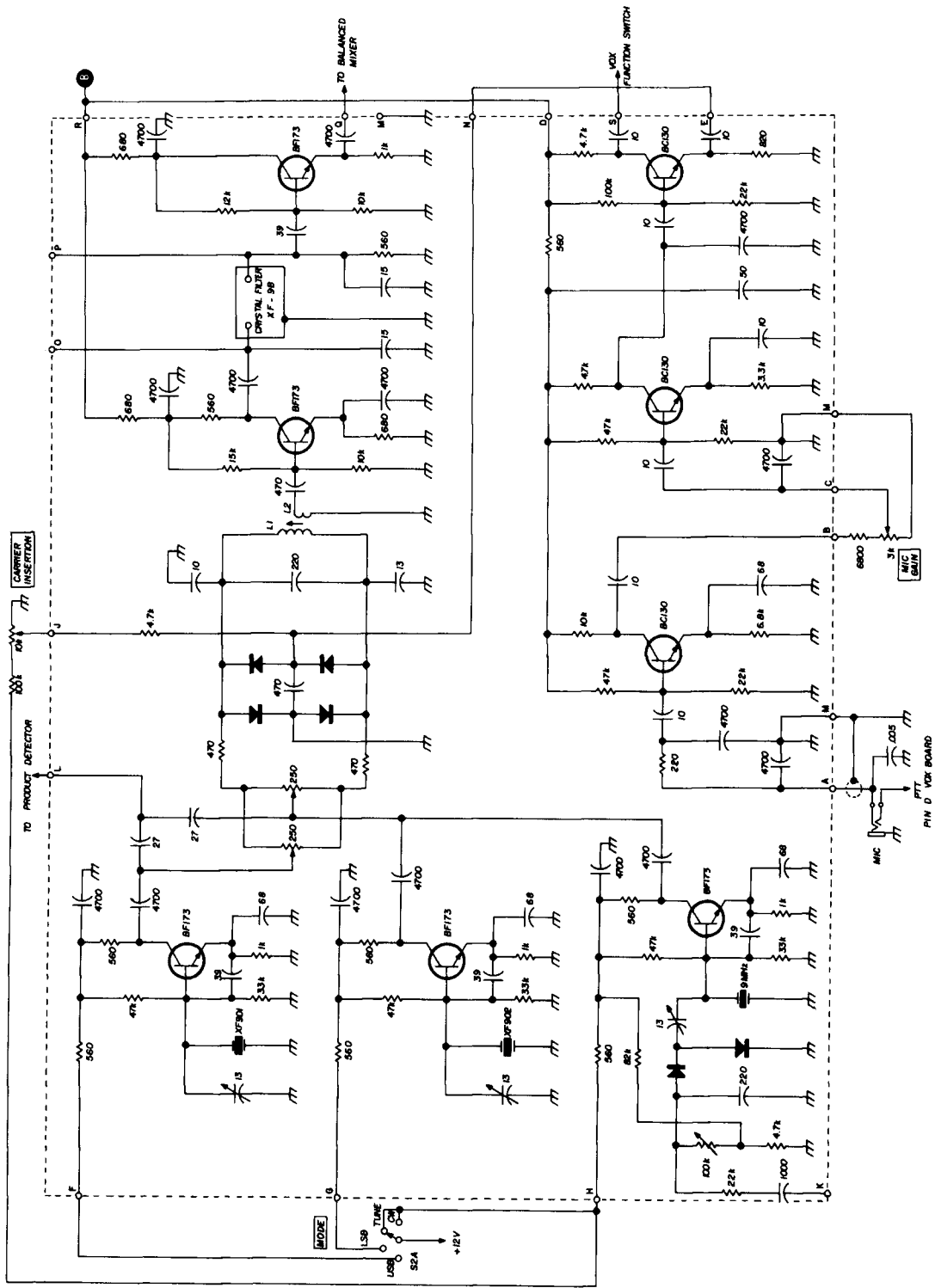
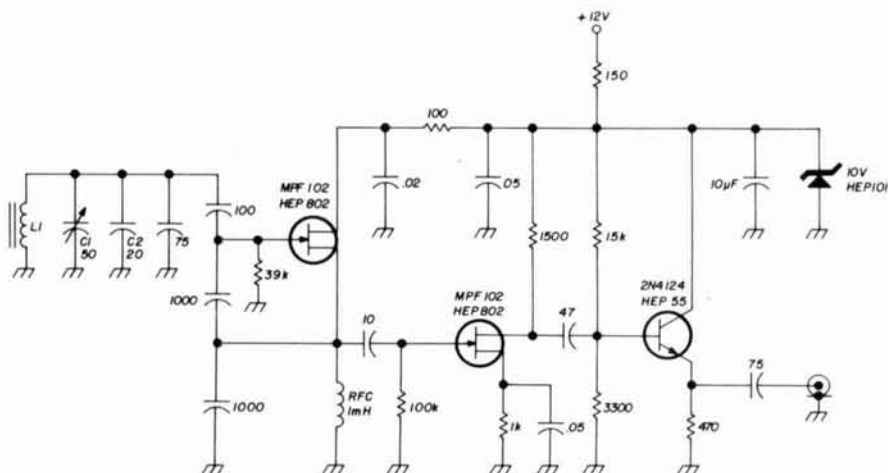


fig. 2. Schematic diagram of the Schilling HS 1000D 9-MHz transceiver module. Components outside the dotted line must be added by the builder.

50 watts PEP output. There are several transistors on the market designed for ssb service that will provide this much output, but I felt that for the present, a vacuum tube was much more feasible. The physical layout of the transceiver is such that when the cost of high-

transmitter section

After you receive the exciter module, you'll probably be pretty anxious to get it hooked up and working. I know I was. You can put it on the air in a matter of minutes if you have a 12-volt power supply and a handful of



C1 50-pF variable (Millen 21050MK)*

C2 20-pF variable, printed-circuit type (Jackson Bros. 5440/PC/20)

L1 29 turns no. 24 enamelled on a toroid form (Amidon Associates T-50-2)

fig. 3. The Seiler vfo circuit tunes from 5.0 to 5.5 MHz. The 75-pF capacitor consists of a 33-pF, N750 temperature-compensating capacitor in parallel with a 42-pF silver mica.

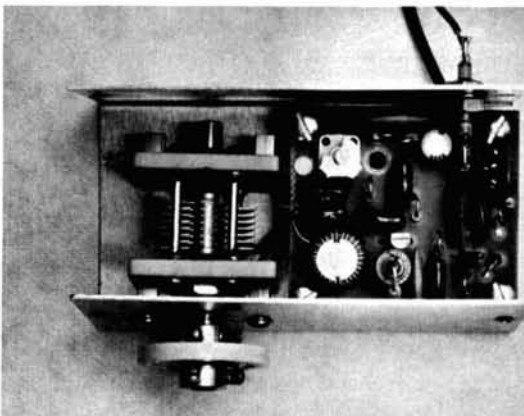
power rf transistors drops within reason, the vacuum-tube power-amplifier assembly can be replaced with an all solid-state unit.

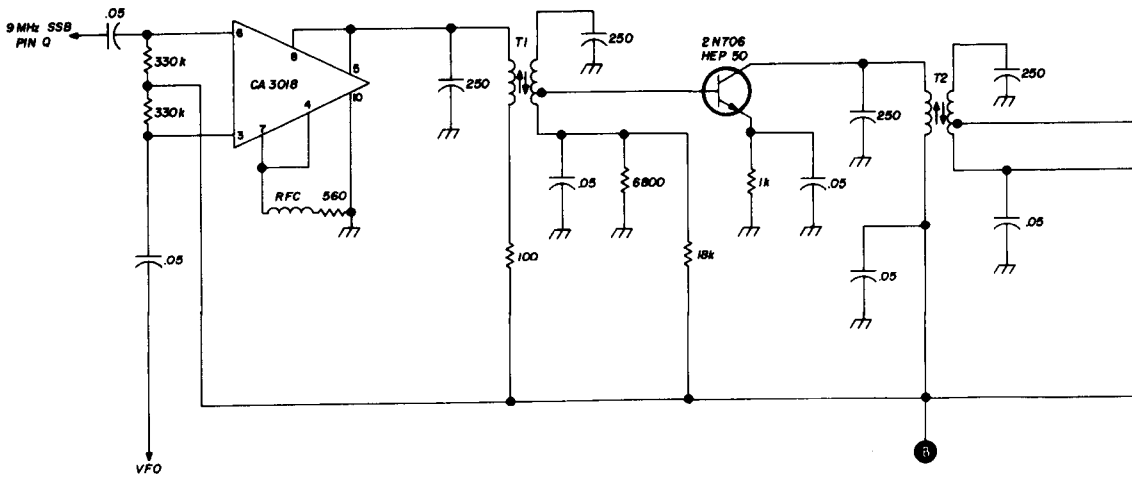
The receiver lineup is pretty conventional—mosfet rf stage followed by a mixer into the 9-MHz crystal filter. Output from the filter is amplified in an integrated-circuit i-f amplifier and fed to a product detector and the audio stages; agc voltage is derived from the audio section and provides excellent dynamic range.

* Millen parts are available from James Millen Manufacturing Company, Inc., 150 Exchange Street, Malden, Massachusetts 02148. Millen 21050MK double-bearing capacitor is priced at \$2.91; the 39016 flexible coupling is \$.75.

Jackson Brothers components are available from Arrow Electronics, Inc., 97 Chambers Street, New York, New York 10007; 5440/PC/20 capacitor is \$2.50.

Complete vfo and buffer circuits are built on a small board mounted in a 2x2x4-inch minibox. Millen tuning capacitor and flexible coupling are on the left.





- C3 20-pF (part of Miller 1460, see fig. 5)
- C4 100-pF variable (Hammarlund HF-100)
- C5 150-pF, 500 Vdc
- C6 730 pF (parallel-connected dual-section 365-pF trf receiver capacitor)
- C7 1000 pF mica
- L7 30 μ H (65 turns no. 30, scramble wound on a $\frac{1}{4}$ " slug-tuned form, tapped at 20 turns)
- L8 9.5 μ H (32 turns no. 14 enamelled on a 2" toroid form—Amidon Associates T-200-2)

- T1, T2 Primary is 33 turns no. 32 on $\frac{1}{4}$ " slug-tuned form, tuned with 250 pF; secondary is 33 turns no. 32 on a slug-tuned form spaced $\frac{1}{2}$ " from primary, 6 turns from ground, tuned with 250 pF
- T3 Parasitic suppressor, 8 turns no. 20 wound on body of 100-ohm, 1-watt carbon resistor
- K1 spdt relay, 12 Vdc coil, mounted in power-amplifier compartment

fig. 4. Transmitting mixer, drivers and power amplifier.

clip-leads, but it only takes a little while longer to do it right with a microphone gain control and a mode switch. If you bought the vox module, you can wire this in, too, since it only takes a few minutes to make the connections. The vox module is a good buy because it gives you built-in vox with anti-trip along with push-to-talk and a 4pdt relay to handle the transceiver switching functions.

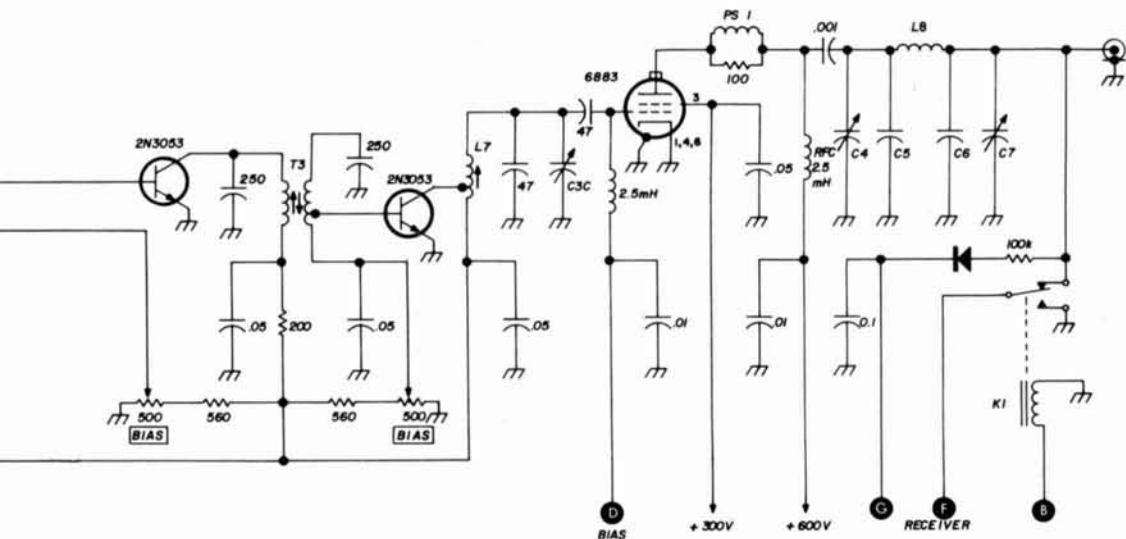
The mode switch in fig. 2 selects the applicable crystal oscillator for upper or lower sideband or CW. In the CW and tuneup positions, carrier insertion is adjusted by the 10 kilohm control. If you have a receiver that will tune to 9 MHz, you should be able to hear yourself on 9-MHz single sideband without even connecting an antenna to the receiver. If you don't have a general-coverage receiver,

couple your grid dipper to the output—it's sufficient to pin the needle when the gdo is tuned to 9 MHz.

vfo

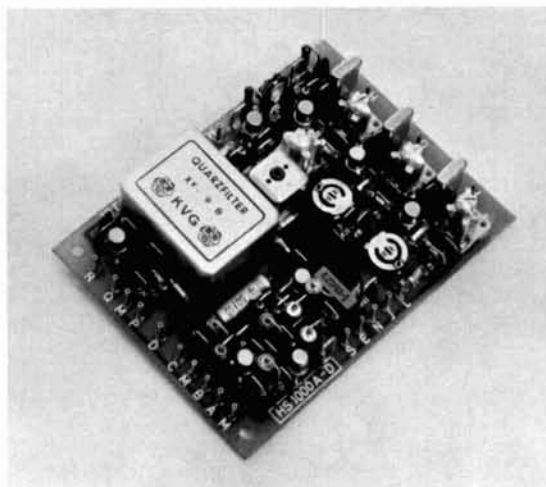
After you get the exciter module going, the next logical step is the 5.0- to 5.5-MHz variable-frequency oscillator. The vfo and buffer stages are mounted on a piece of printed circuit board and mounted in a 2x2x4-inch mini-box. The heart of this very stable circuit is the Seiler oscillator; the output level varies less than 0.5 dB when the vfo is tuned through its range, and resetability is excellent.

The buffer stage uses an fet operated in class A to minimize loading on the vfo. The emitter-follower provides a low-impedance output for driving the miniature 50-ohm co-



axial cable to the balanced mixer; maximum output is 2.5 volts p-p. The 75-pF output coupling capacitor should be adjusted to give 1 volt p-p at the input to the balanced mixer.

Temperature compensation requirements are minimal because of the high stability of the variable oscillator circuitry. In this circuit, stability is primarily a function of the tuned-circuit components and is only slightly affected by the active device. A 33-pF N750 negative-temperature coefficient capacitor in the tank circuit should take care of any temperature-induced drift.



This 9-MHz ssb generator is the heart of the transmitter.

transmitting mixer

The transmitting mixer uses a low-cost integrated circuit in a balanced configuration. An earlier design used a junction fet with injection to the source and gate, but spurious outputs and carrier feedthrough were a problem. When I switched to the balanced circuit shown in **fig. 4**, these problems disappeared. With a properly operating balanced mixer circuit, little 5-MHz carrier and 9-MHz ssb appear across the output so problems with intermodulation distortion from this source are eliminated. Also, carrier feedthrough is a serious problem with bipolar transistors; before the balanced mixer circuit was used, the 5-MHz vfo signal fed through to the final.

Although an integrated circuit is not absolutely necessary in this spot, the transistors should be closely matched for best operation. If you have a matched pair of npn transistors with suitable frequency response they should work as well as the CA3018. I chose the IC because it was inexpensive and its transistors are practically identical since they are made on the same chip of silicon.

The bandpass coupler on the output of the balanced mixer is designed to pass the entire amateur band for which it was designed. This is most difficult on 80 meters where 500 kHz is a big percentage of the center frequency; on the higher bands it is somewhat easier to achieve.

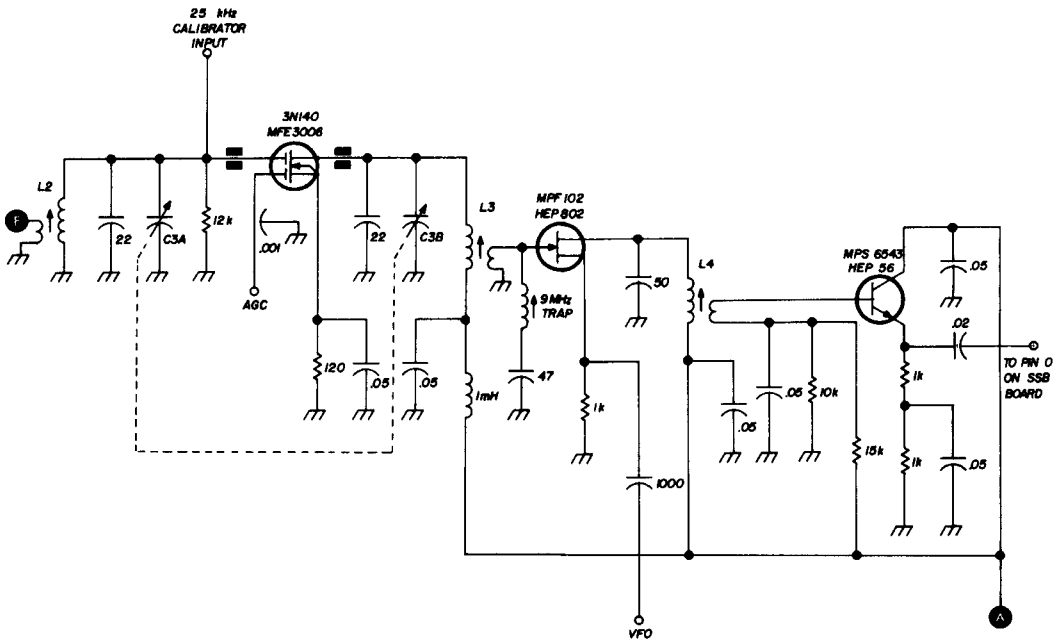
transmitter drivers

The transistor driver stages are operated in class B for maximum linearity and efficiency. This is accomplished by slightly forward biasing each driver stage. The bias supply must be very "stiff" so that bias remains constant with varying input signal; consequently, be careful when setting up stage bias. If the forward bias is set too high, the transistors will destroy themselves by thermal runaway. However, this is no problem if you put a milliammeter in the collector supply lead when setting the no-signal collector current.

The correct amount of no-signal bias current varies slightly from one transistor type

the collector current will creep upward, slowly at first, and then alarmingly fast, until the transistor fries itself. However, if you're aware of the problem, you shouldn't lose any transistors. Furthermore, once the bias is set up it should require no further attention. Correct no-signal collector current for the 2N3053's is approximately 5 mA.

I used 2N3053's in the driver stages because they're inexpensive and I had some on hand. They also have frequency response and voltage ratings that are appealing. Power gain of typical units starts to fall off in circuits operating above 25 MHz, but by selecting transistors you can still get enough drive to the



C3 Three-section variable, 20 pF per section, (J. W. Miller 1460, third section used in transmitter driver, see fig. 4)

L2 36 μ H (Miller 40A335CBI) with 15 turn primary

L3 36 μ H (Miller 40A335CBI) with 18 turn secondary)

L4 30 turns no. 26 on a 1/4" slug-tuned form with 6 turn secondary

Trap 5.2 μ H (Miller 40A476CBI)

fig. 5. Receiver front end and high-frequency mixer.

to another, but will be in the range from 2 to 10 mA. If the forward bias is set too high, it will be immediately apparent if you have a meter in the circuit—with no input signal,

power amplifier on ten meters. If selecting transistors isn't your cup of tea, simply add an additional driver stage!

When setting up the driver stages, never

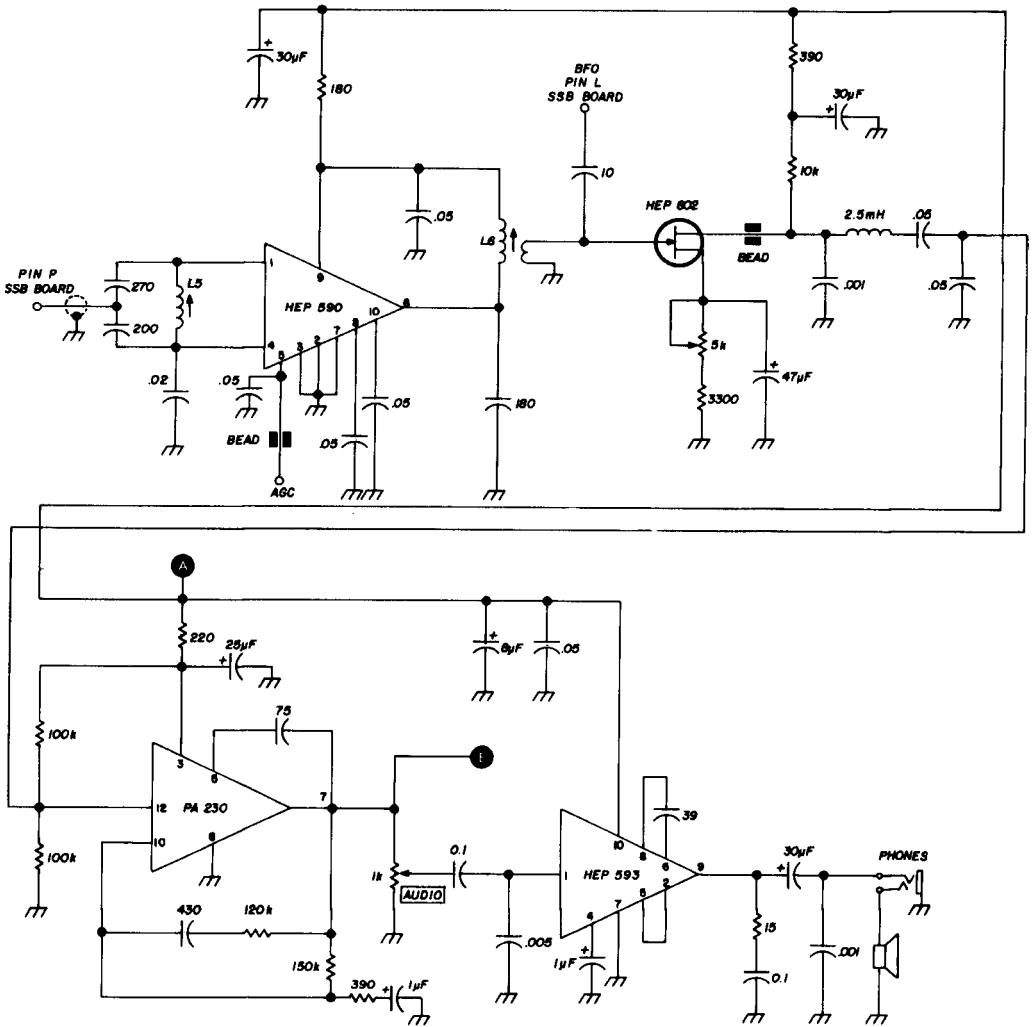


fig. 6. I-f amplifier, product detector and audio power stages. L5 and L6 are 1.6 μH (Miller 40A156CB1), secondary winding on L6 is 4 turns.

turn the power on unless the output tuned circuit is loaded down—either by the next transistor or a resistive load. When the stage is unloaded, the voltage across the high-Q tank circuit may be high enough to burn out the transistor. This is another advantage of the 2N3053: the high maximum-voltage rating allows some mistakes.

When the final driver stage is complete, you should be able to drive it to about 1 watt peak dc input. If you're anxious to put your low-powered creation on the air, you can haywire a T-network together to match the coaxial line to your antenna. With this ar-

range on 75 meters one quiet morning, I was able to work Maine, Massachusetts and New Jersey.

receiver section

Although I will discuss the receiver beginning with the mosfet front end, actual construction is simplified if you build the audio stages first and the rf amplifier last! If you build the audio section first, followed by the product detector, i-f amplifier, mixer and rf stage, you can test each circuit as you go along. Then, if you run into a problem, you can fix it before moving on to the next stage.

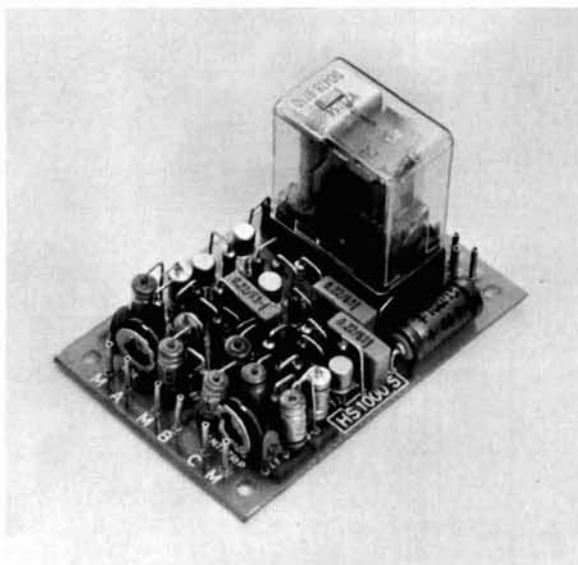
The rf amplifier uses a new dual-gate mosfet, the Motorola MFE3006. This mosfet features good high-frequency (and vhf) performance at reasonable cost. Circuit layout is very uncritical as long as you keep the output isolated from the input. The feed-back capacitance of the transistor itself is very low, so no neutralization is required—if you have problems with instability, your layout or construction is not up to par.

The high-frequency mixer stage uses a junction fet. The input signal is applied across the gate with local oscillator injection across the source resistor; the output circuit is tuned to 9 MHz. The stage following the mixer is a simple untuned RC-coupled amplifier for driving the 9-MHz crystal filter. Connection to the filter is made through a short length of miniature RG-174/U 50-ohm coax.

i-f amplifier and product detector

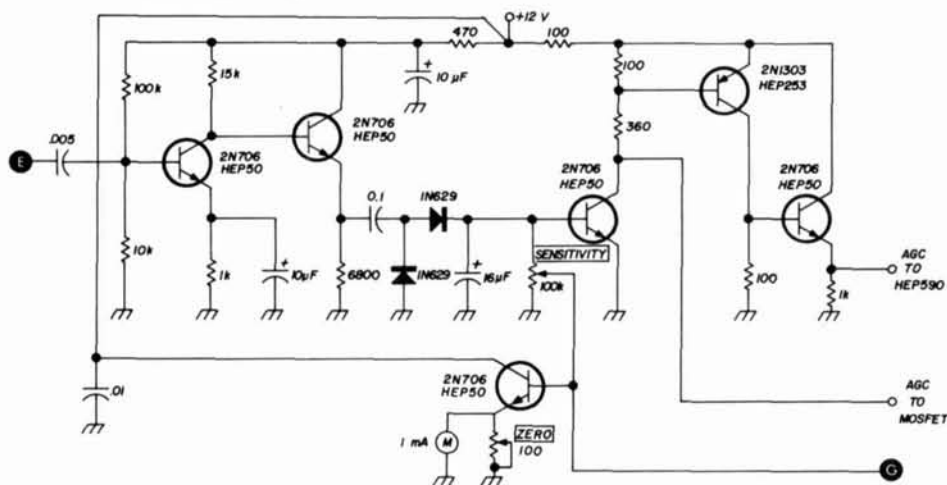
The high-gain 9-MHz i-f amplifier uses an integrated circuit—the HEP 590—a common-emitter, common-base cascode circuit designed for communications equipment. In the circuit shown in **fig. 6**, the input circuit is designed to match the 50-ohm coax line from the crystal filter to the input of the IC.³ The 9-MHz i-f signal is coupled into the product detector through a 14-turn link.

Although the HEP 590 provides a good deal of gain in a small package, no problems were experienced with instability. Keep in mind when wiring this device into the circuit that pins 2 and 3 should be connected together and grounded; pins 8 and 10 should be bypassed to ground with good quality low-inductance disc bypasses. The gain-bandwidth



Schilling vox/anti-trip module.

fig. 7. Audio-derived agc circuit for the single band transceiver. The s-meter is a Micronta 1-mA instrument available for \$2.95 from Radio Shack.



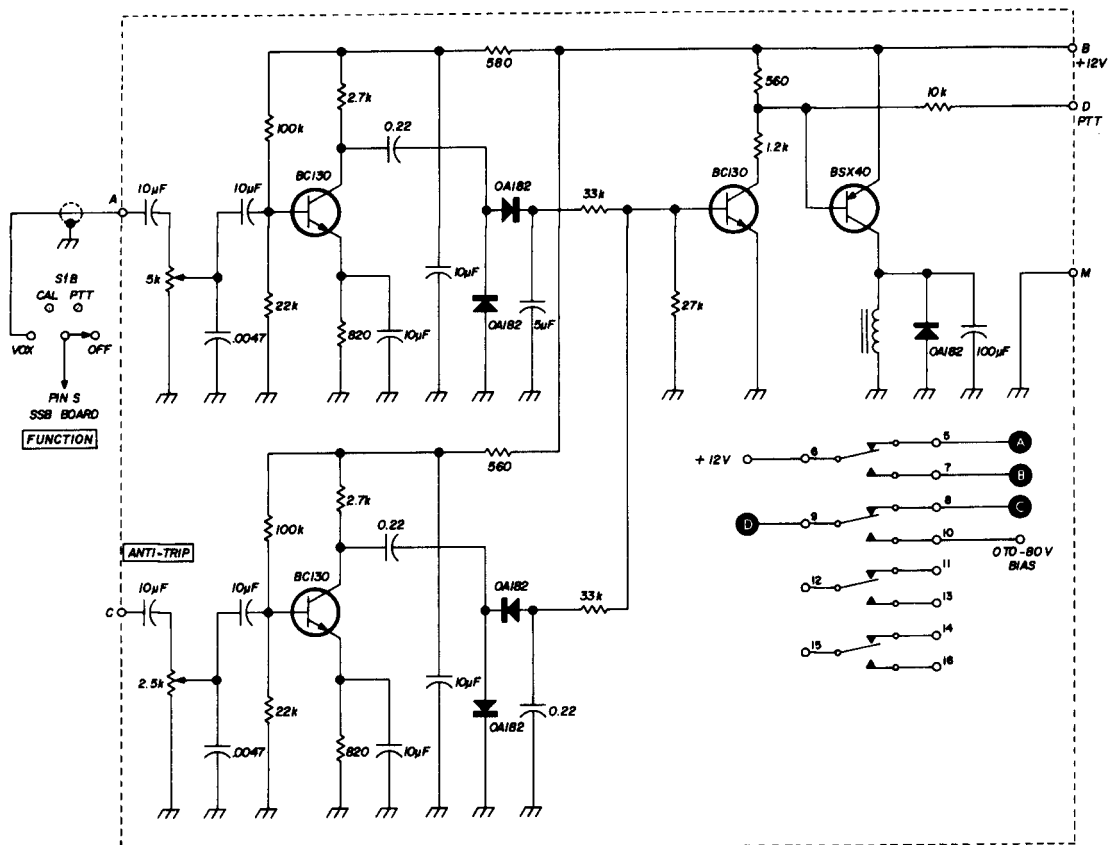


fig. 8. Vox circuitry for the single-band transceiver uses the Schilling HS1000S vox/anti-trip module.

product of the basic IC is in the neighborhood of 2 GHz, so it is imperative that you use good vhf construction practice when wiring it into a circuit.

The product detector uses a junction fet with both signal and bfo injection across the gate. The optimum bias point for the transistor is set by the pot in the source lead. With the bfo turned off, you should get practically no signal through to the audio stages. The bfo injection capacitor is adjusted for maximum gain with minimum noise contribution. If too much bfo injection is used, the product detector will be very noisy. Some fet's work better than others in this circuit; the zero-bias current range for the HEP 802 is 2 to 20 mA—devices with the lower values work best. The product detector in the transceiver shown in the photographs consumes

500 μ A with no bfo injection and about 600 μ A with the bfo turned on.

The receiver audio section uses two integrated circuits—a PA230 preamplifier and HEP 593 audio power stage. Output power is greater than 1 watt with a 12-volt supply. The bypass and coupling capacitors in the audio section were chosen to limit the frequency response to 300 to 3000 Hz, the range required for communications work.

When wiring the two audio IC's be very careful to use short direct leads. The individual transistors in the HEP 593 audio power IC have excellent vhf response, so circuit layout is very important. Instability in this stage can be caused by excessive lead inductance or stray capacitance; parasitic oscillations may even cause rf heating and eventual device burnout. The circuit shown in fig. 6 includes

all the necessary bypasses.

The RC bypassing network from pin 9 to ground should be placed right next to pin 9. This circuit eliminates vhf instability caused by the inductance of the speaker leads. The power supply line should be bypassed by a good quality vhf bypass capacitor directly from pin 10 to ground. In addition, leads to pins 7, 9 and 10 should be as short as possible and the input should be isolated from the output through good layout and short leads.

For maximum audio output with a 12-volt supply, the HEP 593 should be used with an 8- or 16-ohm speaker. Although the circuit will deliver usable power into a 3.2-ohm speaker, it has to work a lot harder to do it, and harmonic distortion is much higher. For best results, use a small transistor auto-radio replacement speaker; these usually have a higher voice-coil impedance.

power supply

One of the design goals for this transceiver was a built-in power supply for both mobile and fixed station use. This is provided by the circuit shown in **fig. 10**. The transformer is a standard commercial off-the-shelf item manufactured by Thordarson. The high-voltage secondary is used with a voltage-doubling circuit that provides +600 volts for the plate and +300 volts for the screen of the 6883 power amplifier. A negative bias supply is provided by a shunt rectifier circuit off the secondary winding.

When the transceiver is operating from the 117 Vac line, the regulated power supply for the solid-state circuitry is developed from a full-wave bridge across the 12-volt winding on the transformer. When the power supply is connected to the 117-volt line, the dc-to-dc converter transistors must be disconnected from the power transformer. This is accomplished automatically by the two different power plugs shown in **fig. 10**.

Total current drain is very low in all modes. The receiver requires from 60 to 100 mA depending upon the audio level. Current drain from a 12 volt battery while transmitting depends on loading. However, when the final is loaded up to 100 mA, total input current from the 12-volt supply is 6 amperes.

construction

All of the transceiver circuits except the power amplifier stage and power supply are built on pieces of copperclad board. Although printed circuits were not used in the transceiver shown in the photographs, they would be ideal for this purpose and would result in a somewhat more rugged unit. I doubt that reliability would be improved much since the unit shown here has been extremely dependable.

The transceiver circuitry is built on four different boards: transmitter mixer and driver stages; receiver front end, mixer and crystal-filter driver; receiver i-f, audio and agc; and vfo. The 9-MHz sideband generator and vox boards are mounted on top of the 4x7x1½-inch chassis on the right-hand side of the unit.



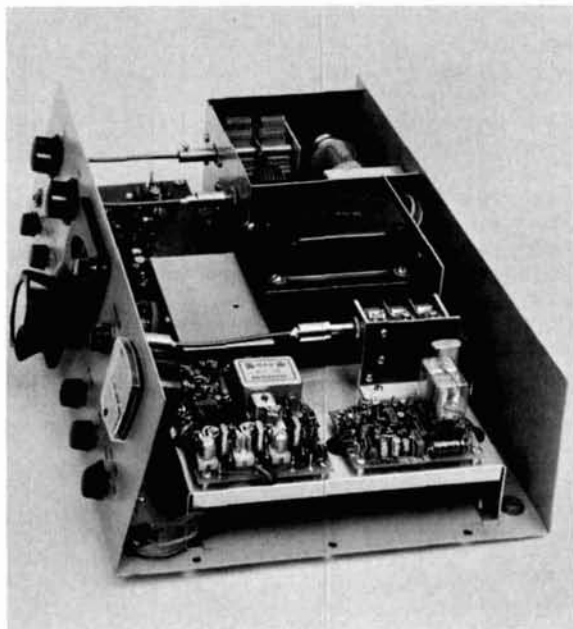
New dial face for the s-meter.

The receiver front end, mixer and crystal filter driver board is underneath as are the transmitter and mixer stages.

The vfo board is installed inside the 2x2x4-inch minibox. One side of this box is bent back at a 60° angle to conform with the front panel of the "Tilt-a-View" cabinet (Bud TV-2155). The sloping front panel requires that the vfo tuning capacitor be mounted on an angle so the shaft is perpendicular to the front panel; the shafts from the final-amplifier tuning capacitors use flexible couplers to provide the necessary displacement. The other controls are mounted on the front panel. The end result is a miniature, modern-looking package that can be carried around in a brief case.

Although the sloping front panel wastes some space, there is still plenty of room to spare. Although it's difficult to see in the photographs, the area under the chassis is almost completely unused. There's plenty of room for more circuitry—such as an additional vfo, a noise blanker, sidetone oscillator, speech processor or even an electronic keyer!

If you want to use a more conventional cabinet, there are any variety available. However, all of the modern-looking ones are so large you could package this transceiver and have room left over for a high-powered linear amplifier. This might not be such a bad idea for the home station, but for mobile and portable operation, the smaller size and weight of the package shown in the photos is more desirable.



Internal layout of the transceiver. The 9-MHz ssb generator, vox board, receiver rf amplifier and transmitter drivers are mounted above and below the chassis in the foreground. Vfo box is in front of the power transformer. Heat sink for the power transistors is behind the rear panel. I-f amplifier, audio power and agc stages are built on the board in front of the power amplifier compartment. Flexible shafts are lengths of speedometer cable epoxied to short pieces of $\frac{1}{4}$ " tubing.

The only other construction point of importance concerns the vfo tuning knob. The arrangement shown in the photo consists of two back-to-back vernier drives*—one on each side of the front panel. Each drive has a 6:1 reduction ratio. When they are connected in tandem as they are here you have a choice of either 6:1 or 36:1 reduction. The 6:1 (with the larger knob) is ideal for moving around the band; the 36:1 is perfect for tuning sideband.

The tuning dial is mounted on the reduction drive that is mounted inside the cabinet. The escutcheon was cut out from a piece of quarter-inch aluminum, filed to shape with a hand file and painted black.

alignment

Before lining up the transceiver circuits, it's a good idea to make sure the 9-MHz excited module is properly aligned. This is a simple process with the directions furnished by Spectrum International and consists primarily of setting the carrier oscillators in proper relationship to the filter passband.

Vfo alignment is essentially a process of setting up the trimmers in the tuned circuit so the 50-pF variable will tune the oscillator over the desired range. For 80 and 10 meters, a full 500-kHz range is required to cover the band; on the other h-f bands, slightly less coverage will give you more bandspread—practical ranges are 300 kHz for 40, 350 kHz for 20 and 450 kHz for 15. If you are not interested in CW work, you may want to limit vfo coverage to the phone section of the band. For 10 meters you might even want to increase the vfo range to a full megahertz, but ssb tuning will be a little rough with this much coverage.

Regardless of the range you want, the vfo alignment procedure is basically the same. With the constants shown in **fig. 3** the basic tuning range is from about 4095 to 5505 kHz. With the 50-pF variable fully meshed, set the oscillator frequency to approximately 5500 kHz with the 20-pF trimmer; when the variable is fully open, the frequency should be approximately 5000 kHz. If you can't get

* Jackson Brothers type 4511 DAF. \$1.50 each from Arrow Electronics Inc., 97 Chambers Street, New York, New York 10007.

the full 500 kHz range, replace the 75-pF shunting capacitor with the next smallest value. If the tuning range is larger than you want, increase the value of the shunt capacitor.

If you change the range within a few kHz, the inductance should require no adjustment. However, if you want to make a big reduction in vfo range, you may find it necessary to remove or add several turns to the toroid inductor. If you leave 4- or 5-inch pigtails on the inductor when winding it, you'll have plenty to work with when

one stage at a time, peaking each tuned circuit as you go. Be sure to decrease signal generator output so you don't overload the receiver stages. Finally, hook the 9 MHz source to the antenna jack and adjust the 9-MHz trap for minimum signal feedthrough.

To line up the rf amplifier, tune the signal generator to the low edge of the amateur band, fully mesh the variable capacitor and tune coils L2 and L3 for maximum. Move the signal generator up to the top edge of the band, unmesh the variable and peak up the trimmers on the variable. After

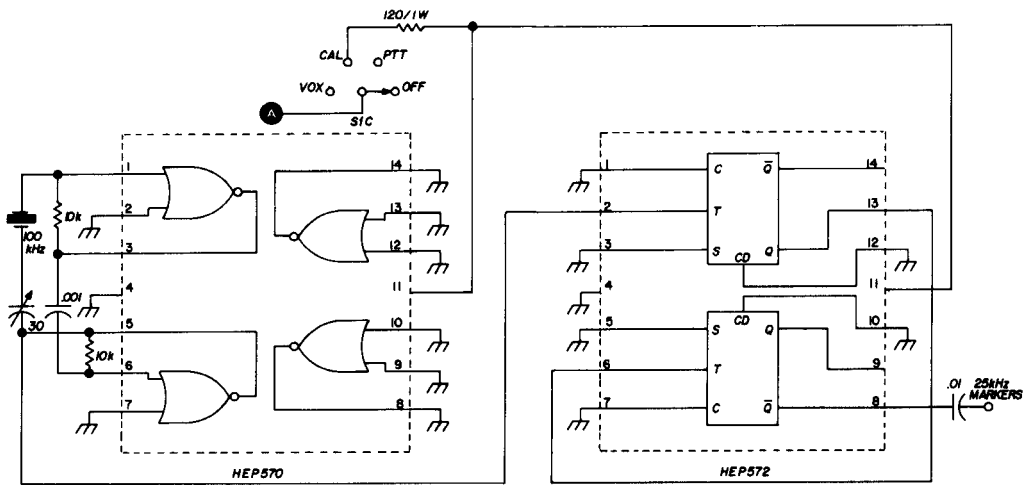


fig. 9. Crystal calibrator is mounted on the same board as the receiving rf amplifier.

setting up the frequency range. A little juggling of values may be required to cover the precise range you need, but it is not difficult nor time consuming. Remember that the inductor essentially determines the center of the frequency range; the shunting capacitor determines how much the frequency is changed by the air variable.

Receiver alignment is next and consists of peaking up the i-f amplifier and receiver mixer tuned circuits. If you built the unit from the audio section back, this is probably already done. If it isn't, inject a 9 MHz signal to the gate of the product detector through a 1000-pF capacitor. Tune the signal generator around until you get a beat note. Now move the 9 MHz source toward the rf amplifier,

several tries it will be found that neither the lower-frequency inductor settings nor the upper-frequency capacitor settings will further improve the signal.

Before lining up the transmitter stages, remove the final power amplifier tube from its socket. A sweep generator is a big help in lining up the broadband transmitter drivers, but it isn't absolutely necessary. If you have a sweep generator, set it to sweep from 5.0 to 5.5 MHz; adjust the output to approximately 1 volt p-p and connect it to the transmitter balanced mixer (vfo injection mixer if you use one). Turn the exciter module to the CW position and insert sufficient carrier to provide a respectable trace on the scope; now align each of the

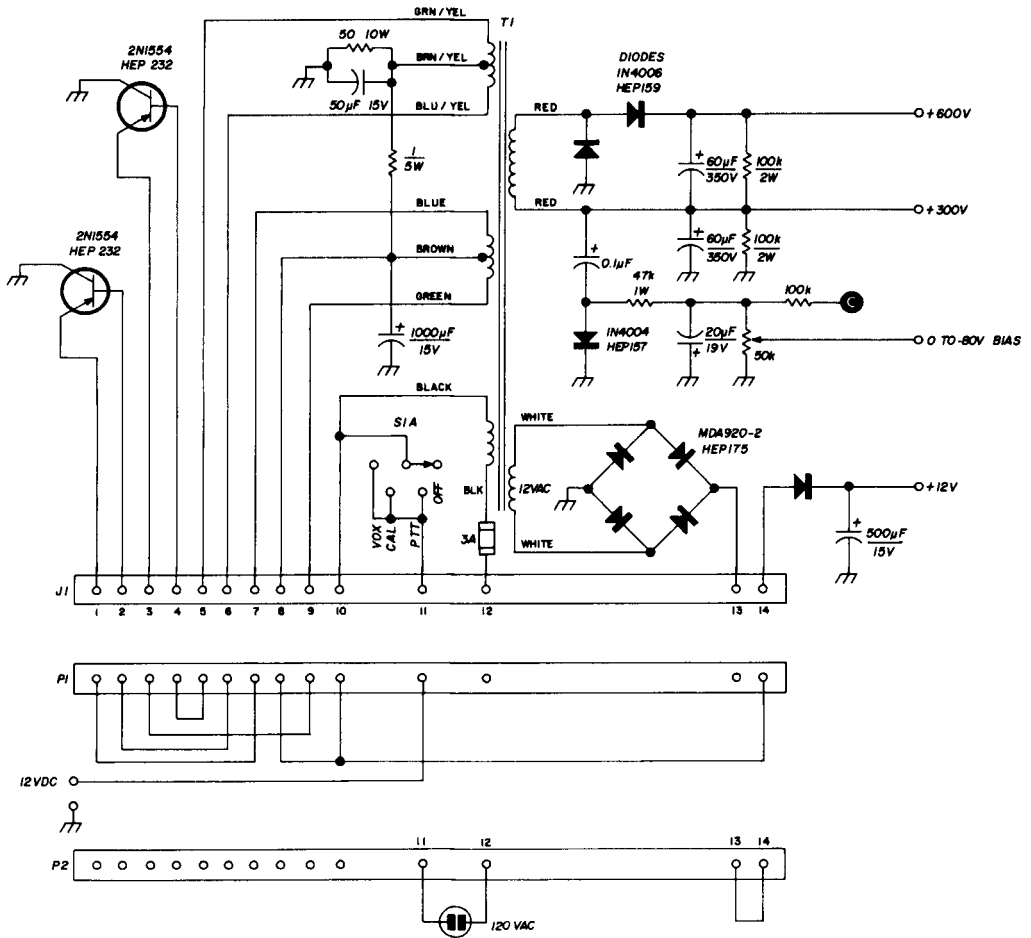


fig. 10. Power supply for the single-band transceiver operates either 120 Vac or 12 Vdc. Transformer T1 is a Thordarson TR 294. The 2N1554 power transistors must be mounted on heat sinks.

broadband transmitter stages for flat response over the amateur band.

If you can't beg or borrow a sweep generator, set the vfo about 10 percent in from the lower edge of the band and peak each of the stage **input** circuits; then tune the vfo in about 10 percent from the top edge of the band and peak each of the **output** circuits. After going through all the stages several times, there should be no further improvement in signal at either end of the band. As a final check, the output signal (measured at the grid pin of the power amplifier tube) should vary less than 1 dB when the vfo is tuned through its range.

When all the solid-state circuits are

aligned, plug in the power amplifier. After it has warmed up, adjust the bias for 25 mA no-signal plate current. With the exciter control in the tune position, adjust carrier insertion and drive, then dip the final. If everything is in order, you should get about 50 watts input to the dummy load.

references

1. J. R. Fisk, W1DTY, "Stable Transistor VFO's," *ham radio*, June, 1968, p. 14.
2. R. C. Hejhall, "Getting Transistors into Single-Sideband Amplifiers," Motorola Application Note AN-150, 1965.
3. J. Robertson and B. Welling, "An Integrated-Circuit RF/I-F Amplifier," Motorola Application Note AN-247, 1968.

ham radio

Hafstrom Technical Products' heavy duty BTI LK-2000 linear amplifiers complements extra class design with compact modern circuitry built around an Eimac 3-1000Z high- μ power triode. The amplifier achieves full 2 kW PEP SSB input and 1 kW input on CW, AM and RTTY.

Hafstrom chose the rugged 3-1000Z zero-bias triode because it offers a conservative 1000 watt anode dissipation rating and provides up to 20 times power gain at moderate plate potential. This tube, widely used in commercial FM and HF

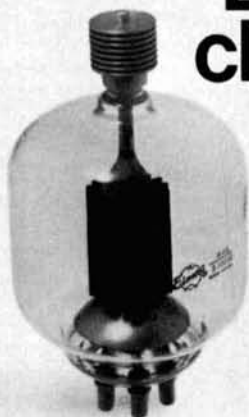
broadcasting, is ideal for heavy duty around-the-clock operation in cathode-driven grounded-grid service, eliminating any need for bulky and expensive screen and bias supplies.



For more information on the 3-1000Z and other Eimac tubes for advanced transmitters, write Manager, Amateur Services, Eimac Division of Varian, 301 Industrial Way, San Carlos, Calif. 94070, or contact your nearest Varian/Eimac distributor.



**Extra
class
design
starts
here.**





external-anode tetrodes

This is a
handy reference source,
complete with
quantitative data,
on these popular
rf generators

William I. Orr, W6SAI, Manager, Amateur Service Department,
Eimac Division of Varian, San Carlos, California 94070

The **4X150A external-anode** tetrode was developed by Eimac back in 1947. This highly efficient, vhf-rated transmitting tube is the forerunner of a whole family of similar tubes that have evolved over the years since the war. The tube is now manufactured by a host of companies, but the original design is still going strong, and it's still the choice for a reliable rf power source with many vhf enthusiasts.

During the past few years a bewildering number of "4X-..." tubes have appeared. Each has characteristics slightly different from the original 4X150A. I'd like to discuss this family of tubes and identify, once and for all, the basic characteristics of each type. Amateurs interested in these tubes will then have a ready reference for future applications.

the original 4X150A

Let's take a look at how the nomenclature describes the tube. The numeral **4** signifies four active elements: cathode, control grid, screen grid, and anode—a tetrode. The **X** indicates an external anode (forced-air cooled), **150** indicates the plate

Eimac	EIA	Po Watts	Ep Volts	Fmax MHz	Heater V/A	Base	Figure of Merit	Notes
4X150A Family								
4X150A (old)	—	150	1250	500	6.0/2.6	9-pin	86	old style anode; weight: 5.2 ounces
4X150A	7034	250	2000	500	6.0/2.6	9-pin	86	new style anode; weight: 4 ounces
4X150D	7035	250	2000	500	26.5/0.55	9-pin	86	aircraft version of 4X150A
4X150G	8172	150	1250	1200	2.5/6.25	coaxial	56	uhf and video service
4X150R	8296	250	2000	500	6.0/2.7	9-pin	73	ruggedized 4X150A/7034
4X150S	8297	250	2000	500	26.5/0.56	9-pin	73	ruggedized 4X150D/7035
4X250B Family								
4X250B	—	250	2000	500	6.0/2.6	9-pin	85	ceramic shell, glass-based 4X150A
4X250F	—	250	2000	500	26.5/0.56	9-pin	85	aircraft version of 4X250B
4CX250F	7204	250	2000	500	26.5/0.56	9-pin	85	all ceramic 4X250F
4CX250B	7203	250	2000	500	6.0/2.6	9-pin	85	all ceramic 4X250B
4CX250K	8245	250	2000	1200	6.0/2.6	coaxial	54	uhf and video service
4CX250M	8246	250	2000	1200	26.5/0.56	coaxial	54	aircraft version of 4CX250K
4CX250R	7580W	250	2000	500	6.0/2.6	9-pin	81	ruggedized 7580
7580W	7580	250	2000	500	6.0/2.6	9-pin	82	high-perveance 4CX250B
4W300B	8249	300	2000	500	6.0/2.6	9-pin	85	water-cooled 4X250B

table 1. External-anode tetrode characteristics.

dissipation in watts, and **A** signifies the first production version.

Recent productions of the 4X150A have included a radically new brazed anode structure having a complex arrangement of cooling fins. The new design allows increased plate dissipation ratings. The designation of this version is 4X150A/7034. It is operationally equivalent to the 4CX250B at frequencies below 150 MHz.

how to identify them

The different versions of the 4X150A are not easy to tell apart. Some transitional 150-watt tubes have the improved cooling fins but not the brazed anode structure. In general, the old- and new-style 4X150A's may be distinguished by weight. The 150- and 250-watt tubes weigh approximately

5 and 4 ounces respectively; their respective anode diameters are 15/16 and 13/16 inch. Interestingly enough, plate dissipation has been increased with reduced weight and size.

High-voltage heater versions of the 4X150A were introduced as the 4X150D and 4X150S (ruggedized). These new tubes, plus the redesigned descendants of the 4X150A, bear alternate Electronic Industries Association (EIA) nomenclature. This consists of four-digit numbers in the seven- and eight-thousand series. Thus the EIA 7034 is the 4X150A, etc.

The 4X150G (2.5-volt heater) and its offspring, 4CX250K (6-volt heater), have coaxial terminations. They are designed for internal cavity operation at frequencies into the gigahertz region.

Eimac	EIA	Po Watts	Ep Volts	Fmax MHz	Heater V/A	Base	Figure of Merit	Notes
4X150A Family								
4CX300A	8167	300	2500	500	6.0/2.7	breech- block	52	ceramic-metal ruggedized
Y-180	—	300	2500	500	6.0/2.7	breech- block	52	nickel-rhodium plated 4CX300A
4CX300Y	—	—	2500	500	6.0/3.4	breech- block	53	high-plate current version of 4CX300A
4CX350A	8321	350	2000	500	6.0/3.0	9-pin	143	high transconductance, high current 4CX250B
4CX350F	8322	350	2000	500	26.5/0.57	9-pin	143	aircraft version of 4CX350A
4CX125F	—	125	2000	500	26.5/0.57	9-pin	52	aircraft version of 4CX125C
special versions								
4CN15A	—	15	2500	500	6.0/3.0	breech- block	52	low-duty pulse work or heat- sink cooling
4CN15L	—	15	2000	—	2.1/7.5	9-pin	—	quick-heat cathode
4CS100L	—	100	2000	—	2.1/7.5	9-pin	85	quick-heat cathode, heat-sink cooling
4CX125C	—	125	2000	500	6.0/2.7	breech- block	52	horizontally finned 4CX300A
4CX125F	—	125	2000	500	26.5/0.56	breech- block	52	identical to 4CX125C except for filament voltage
4CX250L	—	250	2000	—	2.1/7.5	9-pin	—	quick-heat cathode
4CPX250K	—	250	5500	500	6.0/2.7	coaxial	85	pulse rated 4CX250K

the 4X250B family

The 4X250B features ceramic insulation. It evolved from the glass-insulated 4X150A. Early versions were made with a ceramic outer cylinder and a glass base; later designs are all ceramic and are called 4CX250B. These 4X-series tubes are rated at 250 watts with a maximum plate voltage of 2000.

The latest offspring of the 4X150A is the popular, rugged 4CX300A. This Ceramic and metal tetrode operates at plate voltages up to 2500. Special-purpose versions are currently in production. Among these is the 4CX300Y, which should be of interest to ssb amateurs and others contemplating new equipment. The 4CX300Y resembles the 4CX300A in appearance, but has a heavy-duty heater (6.0 volts at 3.4 amperes). This permits unusually high values of plate current.

external anode tetrodes in grounded grid?

Modern, high-gain external-anode tetrodes don't perform well in the conventional class-B grounded-grid arrangement for several reasons. The external-anode tube is characterized by high perveance, together with extremely small spacing between grid bars and between grid and cathode. Thus while performing excellently as grid-driven tetrodes, they are not suitable for grounded-grid operation as such.

For proper operation, the screen requires much higher voltage than the control grid. Older tetrodes having lower gain tend to have more equal balance between absolute grid and screen currents. When these electrodes of the newer, high perveance, external-anode tetrodes are tied together, the control grid tends to draw tre-

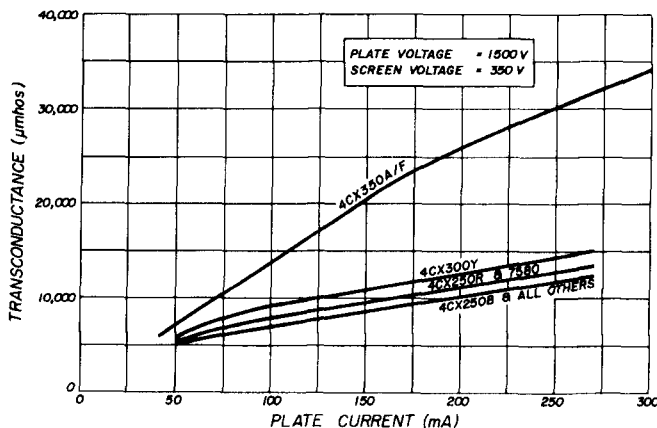
mendous currents, and there is grave risk of destroying the grid. Peak grid current, for example, in a 4X150A operated in grounded grid can easily be **twice** the value of peak plate current.

It's permissible, however, to operate the external-anode tube as a cathode-driven tetrode, with the grid and screen at rf ground, but operating at the normal dc potentials. Grid dissipation under these conditions is minimal, and stage gain is greatly increased. Screen dissipation is nearly the same as in the tetrode connection. Greater stage gain can be obtained with this circuit, because the driver doesn't have to supply large screen and grid

not recommended, because tube temperature can't be adequately controlled. A receiving-type loctal socket with 4X150A-style tubes is emphatically **not** recommended. Dangerously high stem temperatures will occur from the filament heat unless the base structure is cooled by an air blast. The solid construction of the simple receiving-type loctal socket blocks the flow of air around the tube stem.

I'd like to emphasize that heater voltage on the 6-volt external-anode tetrodes is 6.0 volts ± 5 percent, **not** 6.3 volts. What this means is that the tube will operate at 6.3 volts, which is the upper limit of the specification (+5 percent), but for longest heater

fig. 1. Mutual transconductance vs plate current for several external-anode tetrodes. The 4CX350A and 4CX350F have about twice the transconductance as the rest of the line; the 4CX300Y has approximately 30% higher transconductance than the "standard" tubes while the 7580 and 4CX250R/7580W are approximately 20% higher.



losses. Excess drive power should be absorbed in a resistive load.

the tube socket

In addition to permitting connections to the elements, the socket for external-anode tubes conducts heat away from the tube stem and, in some cases, serves as a capacitive screen bypass.

Complete Air-System socket assemblies for all noncoaxial-based external-anode tubes are available. These consist of socket and air chimney (table 1). The sockets are designed to permit air to be directed axially on the tube base, past the base to the envelope, and then over the anode cooler. Use of other than the Air-System socket with external-anode tubes is

life, the voltage **should not** exceed 6.0 volts rms.

Anyone using these tubes, or any transmitting tube for that matter, should measure heater voltage **at the tube heater terminals**. The meter should be calibrated against a one-percent laboratory instrument, and the measurement should be made under full-load, key-down conditions.

You would do well to take a tip from broadcast and TV stations. Some of the large tubes in these installations cost around \$1,000.00 to replace, and no maintenance engineer is about to face the embarrassment of having a final amplifier tube go west because of high heater voltage. At KFMB-TV, for example, the senior transmitter engineer (W6QCN) says that their

big tubes have a meter in the input to the heater voltage source, which is regulated to supply the exact voltage at the tube heater terminals.

the figure of merit

A graphical presentation of the mutual conductance for external-anode tubes as a function of plate current is given in **fig. 1**. The 4CX350A and 4CX350F have about twice the g_m of other tubes in this class. The 4CX300Y has about 30 percent higher g_m , and the 7580 and 7580W/4CX250R are about 20 percent higher than the 4X150A. Mutual conductance (or transconductance, as it's sometimes called) is a figure of merit of a particular tube. Also known as the gain-bandwidth factor, this quantity is

$$\text{Figure of merit} = \frac{g_m}{2\pi C_t}$$

where C_t is the total input and output capacitance of the tube.

The figure of merit is a relative number and should not be interpreted as an absolute value. C_t is an average, taken from a number of typical tubes. Highest figure-of-merit values are reached by a combination of high g_m and low interelectrode capacitances. The 4CX350A and 4CX350F, which have the highest g_m and reasonably low interelectrode capacity, have the highest figure of

merit. The coaxial- and breechlock-based tubes, with their higher capacitances, appear to have lower figure-of-merit values. However, the coaxial-based tubes perform more efficiently at the higher frequencies, and they are especially designed for cavity operation.

ham radio



**"Good news, dear!
I've finally found the instructions
for that kit you're trying to assemble."**

lighthouse tubes for uhf

Planar triodes or lighthouse tubes are well suited for amateur use in the uhf spectrum; various surplus versions, such as the 2C40, 446B and 2C39 have been used at frequencies up to 2400 MHz. A relatively new member of the family, the 3CX100A5, is available for improved service at uhf.

The 3CX100A5 is relatively unknown to the amateur fraternity, but its older relative, the 2C39A, has been long a favorite uhf tube of the "surplus hounds." The 2C39A and its twin, the 7289, fit into the amateur picture nicely as amplifiers,

doublers or triplers in the range from 1000 to 3000 MHz. They are not expensive, and various glass versions of the older 2C39/2C39A/2C39WA can often be obtained at give-away prices on the surplus market. The 3CX100A5 is an improved, modern version of this old World War II tube, dressed up in a brand-new ceramic and metal envelope.

Performance of the 3CX100A5 as a grounded-grid uhf power amplifier and multiplier is shown in **fig. 1, 2 and 3**. Because of the high power gain of the tube,

grounded-grid circuitry is desirable since intercoupling between the input and output circuits is reduced to a minimum and neutralization is not required. The graphs may be used to estimate the performance of the 2C39 glass family of tubes by noting that the useful power output of this style tube will be somewhat less (depending upon the frequency)—up to 25 percent at 2.5 GHz.

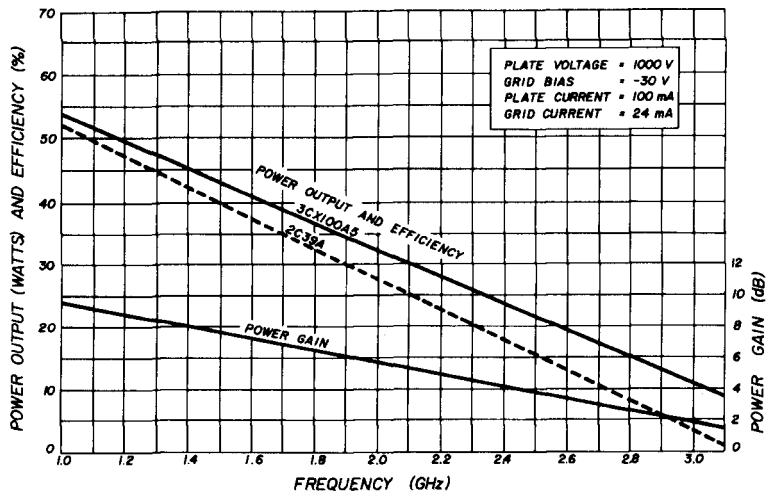
A variety of 3CX100A5 tubes were run in a coaxial cavity capable of tuning from 1000 to 3000 MHz, and a series of measurements was made with a representative sample of production tubes operating as amplifiers, doublers and trip-

fig. 1. Grid drive, grid bias and plate loading were adjusted to provide maximum power output while maintaining plate current at 100 mA. Plate voltage for these tests was 1000 volts, and grid bias was -30 volts.

At 1300 MHz, the 3CX100A5 is capable of about 47 watts power output at an efficiency of 47%. The power gain of the tube is 8 decibels, indicating a required drive level of about 7.5 watts as measured at the input to the cathode cavity.

Power output gradually decreases as the frequency of operation is raised. At 2400 MHz power output (at 100 watts input) drops to 25 watts, and grid driving power

fig. 1. Typical power output, gain and efficiency of 3CX100A5 and 2C39A grounded-grid amplifiers.



lers. Drive and output power were carefully measured for each test, and appropriate filters were used to eliminate feedthrough and harmonic output. When a tube is operated as a doubler or tripler, feedthrough power is at the driving frequency and is undesired. In practice it is necessary to eliminate this power from the output circuit of any grounded-grid frequency multiplier; high-Q tuned circuits or wave filters will do the job.

amplifier performance

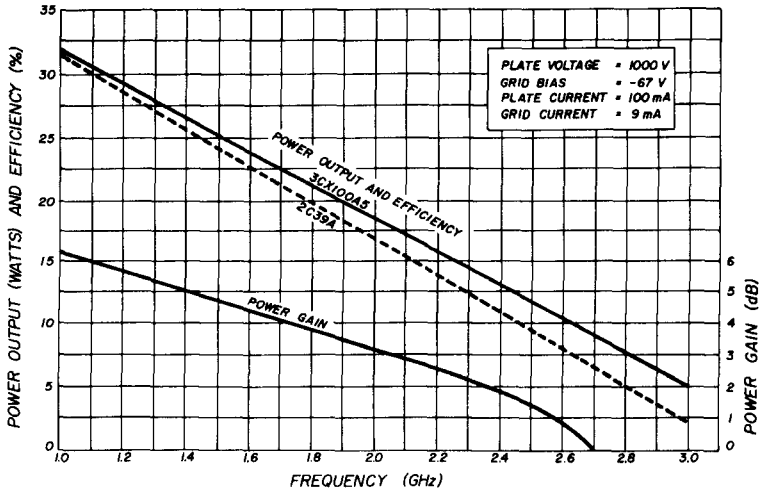
A graph of average tube performance as a grounded-grid amplifier is shown in

increases to 10 watts. Power gain at this frequency is 2.5. A power output and efficiency curve for the 2C39A over the same frequency range is shown by the dotted line.

doublers and triplers

After completing the amplifier tests, the same tubes were operated as frequency doublers in gain and power output tests. Excitation was applied and the operating conditions and tank circuits adjusted for maximum power output while maintaining 100 mA plate current. Plate supply voltage was 1000 volts, so the operating con-

fig. 2. Typical power output, gain and efficiency of grounded-grid doublers.



ditions represent 100 watts input.

At 1300 MHz, with 650-MHz drive, power output was 27 watts; this is a circuit efficiency of 27 percent. Drive power of 8 watts was required, a power gain of 5.3 dB. At 2400 MHz, power output was 13 watts with 9 watts drive at 1200 MHz. Power gain as a doubler drops to unity at about 2700 MHz although the 3CX100A5 is still useful as a doubler at this frequency since 10 watts output can be obtained. This data is plotted by the solid lines in fig. 2; 2C39A performance as a doubler is plotted by the dotted line. The

same tubes and general test techniques were used to determine the operating parameters of the 3CX100A5 as a frequency tripler. Drive power was applied at one-third the output frequency and the circuit was adjusted for maximum power output. At 1300 MHz, 17 watts of power were obtained with about 10 watts drive at 435 MHz. At 2400 MHz, power output was about 8 watts with 12 watts drive at 800 MHz. Power gain as a tripler drops to unity just above 2700 MHz but useful power output is still available, although efficiency is very poor.

fig. 3. Typical power output, gain and efficiency of grounded-grid triplers.

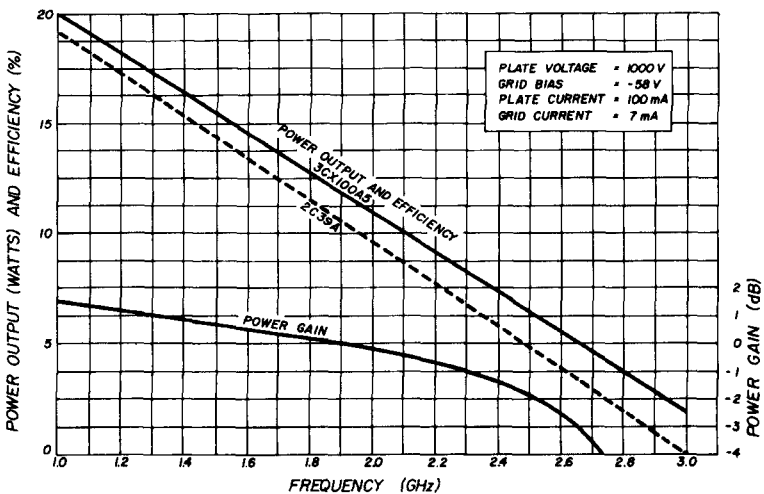


table 1. Planar triode tubes.

2C39A	Glass or ceramic construction	Eimac, Machlett
2C39WA	Glass or ceramic construction	Eimac, Machlett
2C41	Not interchangeable physically with 3CX100A5 or 7289	Machlett
3CX100A5	All ceramic construction	Eimac, Machlett, GE
3CX100F5	Identical to 3CX100A5 except heater voltage is 26.5 volts	Eimac
381	3CX100A5 type, rated for pulse service	Eimac, Machlett
6897	Not interchangeable electrically with 3CX100A5 or 7289 in most uhf sockets	GE
7289	Identical to 3CX100A5	Eimac, Machlett, GE

A socket for the 3CX100A5 is a rare bird since it is an integral part of the resonant cavity in most equipment. However, collet rings for the tube are available from the Instrument Specialties Company or Braun Tool and Instrument Company. A complete socket assembly can be purchased from Jettron Products.*

conclusion

The planar triode tubes of the 3CX100A5 family perform well in the frequency range encompassing the 1215-MHz and 2400-MHz amateur bands. Efficiency is good, considering the frequency of operation. F. E. Terman indicates¹ that a doubler will provide about 65 percent of the power output of a straight-through amplifier, and a frequency tripler will provide about 40 percent of the power output of the amplifier. These figures agree closely with the data shown here. Two recent articles^{2,3} show that these tubes can put quite a dent in the 1215-MHz band.

references

1. F. E. Terman, "Radio Engineering," McGraw-Hill, New York, 1962.
2. P. Laakmann, WB6IOM, "Cavity Amplifier for 1296 Mc" *QST*, January, 1968, p. 17.
3. P. Laakmann, WB6IOM, "Kilowatt Amplifier for 1296 MHz," *ham radio*, August, 1968, p. 8.

* Instrument Specialties Company, Little Falls, New Jersey; plate collet, 97-70; grid collet, 97-72; cathode collet, 97-76; and filament collet, 97-80.

Braun Tool and Instrument Company, 140 5th Avenue, Hawthorne, New Jersey; plate collet, 134-53; grid collet, 134-51; cathode collet, 165.

Jettron Products, Inc., 56 Route 10, Hanover, New Jersey, can supply complete sockets.

Bob Sutherland, W6UOV

water cooling the 2C39

There is a gradual movement of amateur radio to higher and higher frequencies where there is more spectrum and room for interesting experimentation. Probably the most popular tube for amateur operation on 1296 and 2300 MHz is the erst-while 2C39 or a modern member of the same family. Originally air cooled and rated at 100 watts plates dissipation, by using water cooling these tubes can safely dissipate 150 to 200 watts without no-

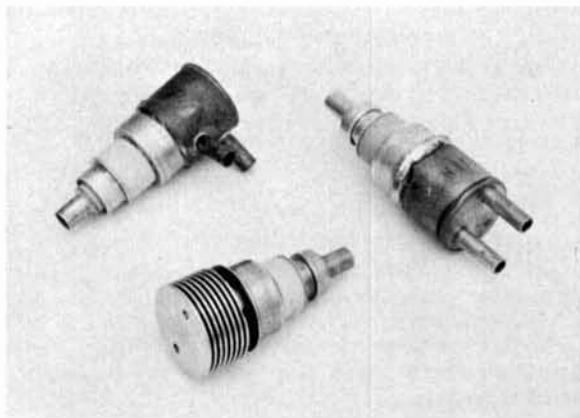
ticeably shortening tube life. If you want to build efficient high-power and quiet amplifiers and multipliers for these bands with 2C39-type tubes, water cooling is the answer.

water jacket

First of all, slightly loosen the two Allen screws that hold the finned heat sink in place and pull it away from the tube body. Even with the screws loosened, pull-

ing the heat sink off may be difficult because the heat sink is aluminum and the tube anode is silver-plated copper. I've found that cooling the whole works in a freezer sometimes helps; sometimes lubricating with acetone will help. Not all 2C39 manufacturers use Allen screws to hold the heat sink in place; the heat sinks screw onto the anode of some tubes, but this type can be removed as well.

Watercooled 2C39's. Side-inlet versions are used in a UPX-4; top-inlet types are used in a WB6IOM two-tube 1296-MHz amplifier.



The water jacket is made from a 1-inch length of 1-inch diameter (ID) copper or brass tubing. Punch out a 1-1/8-inch disc from 1/16-inch copper or brass sheet with a punch. Next, drill two 1/4-inch holes for the water inlet and outlet tubes 7/16 inch apart. These can be located in one side of the water jacket or on top, depending upon the application. Cut two 1/4-inch OD copper or brass tubes about 3/4-inch long; these tubes should have an inside diameter of 3/16 or more.

Fit the tubes into the 1/4-inch holes in the jacket so that their ends are flush with the inside surface of the jacket; silver solder the four pieces together—jacket, disc and two tubes. After cleaning the completed water jacket to a shiny finish, soft solder it to the 2C39 anode with a

small torch. Be sure to keep the flame entirely on the water jacket to prevent damage to the 2C39.

coolant system

Cooling water is run into the 2C39's with 3/16-inch inside-diameter vinyl or tygon tubing. If you use more than two tubes in the system, it's a good idea to use intake and exhaust manifolds for splitting and recombining the water. The manifolds are made from 8-inch pieces of 1-1/8-inch OD copper or brass tubing.

Quarter-inch holes—spaced 1 inch apart—are drilled along the sides of the tubing; small brass tubes, 1/4-inch OD and about 3/4-inch long are pushed into these holes. One end of the manifold tube is capped with a 1/16-inch thick brass disc and the other end is fitted with standard garden-hose fittings. Then all the pieces are silver soldered together.

Half-inch hose is used for the main lines to and from the pump. The pump is a "Little Giant" submersible pump that is designed for small backyard waterfalls; this inexpensive little pump doesn't make any noise while it's pumping. Be sure to ground the manifolds because the cooling water has full plate voltage on it when the amplifier is turned on. (Distilled water is supposed to be a good insulator, but don't bet your life on it.) A 3- to 5-gallon plastic bucket can be used to hold the pump and water for the complete system.

At K6HCP's successful moonbounce station, the 2C39's in the 300- to 600-MHz doubler, 600- to 1296- MHz double-mixer, two-tube 1296-MHz driver* and six 3CX-100A5's in the UPX-4 ring amplifier are all water cooled. After many hours of echo tests and moonbounce schedules, not a single tube has been replaced or even suspected of having low output. Best of all, for weak signal detection with a full kilowatt input, nothing but the purple glow of stressed 3CX100A5 ceramic disturbs the silence of the shack.

* Peter Laakmann, WB6IOW, "Cavity Amplifier for 1296 Mc," *QST*, January, 1968, p. 17.

Mike Staal, K6MYC

a modular fm communications receiver

Project report on
a functional design
using
off-the-shelf modules

David M. Stahley, K8AUH, 6401 Brookside Drive, Cleveland, Ohio 44144

Among my interests in amateur radio is fm technology. About a year ago I outlined a project for myself to design and build a functional receiver with certain features needed to pursue my particular interests. I wasn't interested in a deluxe, high-performance commercial design, nor was I interested in a lot of embroidery. I wanted an inexpensive receiver for continuous mobile or base-station monitoring. The features of this fm receiver were to include:

1. Noise-operated squelch
2. Carrier relay
3. S-meter option
4. Minimum power consumption

I also wanted to use off-the-shelf components to minimize construction difficulties and to keep the cost within reasonable bounds.

The receiver described in this article fulfills all these requirements. It is, of course, a compromise between good engineering practice, state of the art and practical home construction. Some of its features are readily adaptable to your equipment, and for this reason I've included discussion material at each level. This isn't necessarily a construction article, but rather a report on the outcome of the project.

rf deck front end

The front end (**fig. 1**) was obtained from Plectron. It was available in both low band (30-54 MHz) and high band (144-174 MHz) models; the costs were

\$10.00 and \$13.00 respectively, less crystals. The crystals will depend upon your particular requirements and location. Another approach would be to use any of the many available solid-state converters. A particularly good example are those produced by Vanguard; they will "custom tailor" a converter (rf deck in our case) for \$2.00 over the cost of the basic converter. This price includes the crystal. Ad-

ected by the mark (2125 Hz) and space (2975 Hz) tones used with audio frequency shift keying (afsk) radio teletype. Finally, because of its characteristics, mixed wide- and narrow-band transmissions cause no problem.

carrier relay

The optional carrier relay (fig. 2) has been used to actuate a tape recorder for

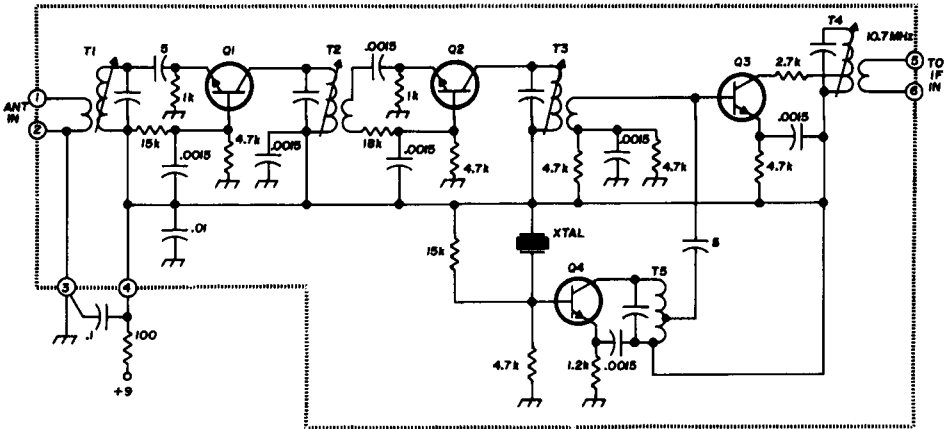


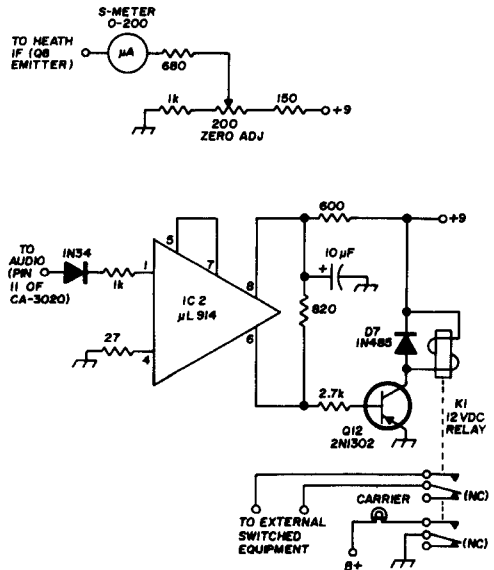
fig. 1. The Electron low-band rf deck.

ditionally, units with dualgate mosfets are available, which are excellent. Should you elect this route, be sure to specify the desired input (monitoring) frequency and 10.7 MHz output. It seems logical that some cost reduction might be realized if the deck is ordered less case and plugs.

squelch

The noise-activated squelch (fig. 3) is simple but effective. The squelch transistor is a high-gain type similar to the Motorola HEP 54. Because of some poor experiences with noise squelch circuits in the past, I made several tests to ensure acceptable performance. Specifically, this circuit does not squelch off in the presence of high modulating frequencies such as are found in some selective-calling and remote-signalling systems. Neither is it af-

fig. 2. Optional s-meter and carrier relay circuit.



logging and recording. It's also very handy for operating a carrier indicator lamp. The usefulness of such a lamp becomes apparent if more than one receiver is operating in the same room. Any 12-Vdc relay can be used, provided it will pull in at 30-40 mA and drop out at 10-15 mA. The one used here is a Potter & Brumfield KM11D, which is a dpdt type approximately one cubic inch in volume.

rf and i-f sections.

This modification would resolve the problem but add considerably to the cost and complexity, which would move beyond the limitations noted earlier. I've shown how to add an s-meter to the unit (fig. 2); however, in this type of service it was found to be more window dressing than necessity. Any other compatible i-f strip could be substituted.

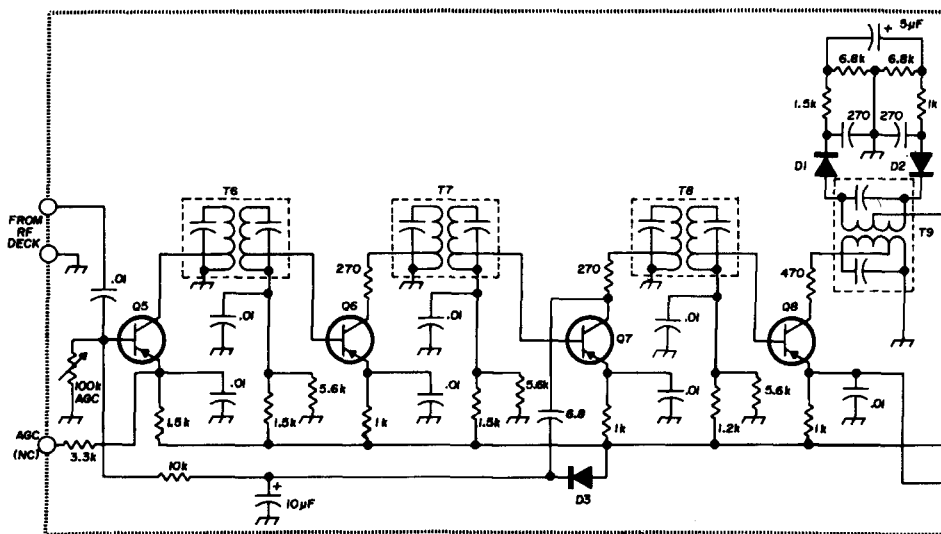


fig. 3. The Heath 10.7-MHz i-f strip (dashed box), squelch and IC audio amplifier.

i-f strip

The i-f strip is shown in the dashed box of fig. 3. It was one I found in the Heath AJ-43D receiver.¹ It was available from Heath complete and ready to operate for about \$17.00. This choice results in an i-f of 10.7 MHz. Benefits include availability, commercial development, compact construction, low cost and relative freedom from drift. Disadvantages are relative low audio recovery and susceptibility to adjacent-channel interference. The first is overcome by additional gain in the audio stages. The second, where it might be a problem, can be reduced by addition of a ceramic filter and additional amplification by using an RCA CA3028 between the

audio power amplifier

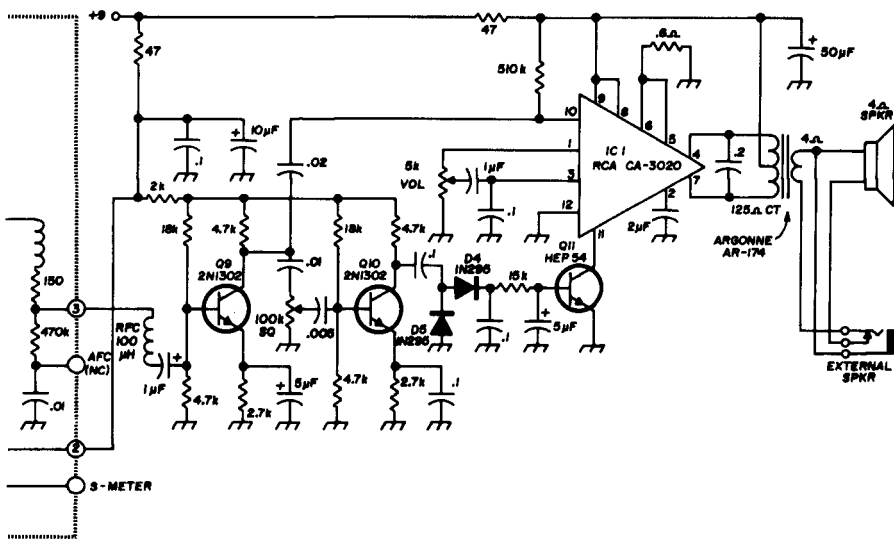
The audio output section (fig. 3) uses the RCA CA3020 integrated circuit. This is a high gain, self-contained audio amplifier capable of 500 mW output, which is quite adequate for indoor use. For mobile service, a better choice would be the CA3020A, which is rated at one-watt output. This should provide sufficient power to overcome most wind and traffic noise. The audio system frequency response has been limited to 300 to 3000 Hz to facilitate communications and reduce operator fatigue due to hiss and noise. A further extension of this would be to use a Jensen type PC4V3 four-inch speaker. The response of this speaker is similarly restricted.

power supplies

The power supply is completely open to choice. Four are shown in **fig. 4**. A nine-volt battery will work nicely, as will an ac supply consisting of a 6.4-Vac filament transformer and diode bridge. For mobile service a zener regulator or zener-transistor regulator would be in order to help tame the shifty voltages. Further, a small blocking diode is a cheap form of in-

charged while on ac power by means of a resistor and diode combination.

The next generation will probably have IC's in the rf and i-f sections. This hasn't been done as yet, because it's difficult to find commercially available i-f and detector transformers that match the available IC's. I'm interested in using ceramic i-f and discriminator units, such as are available from Murata and Clevite. However, so far



insurance against accidentally reversed battery polarities. The ultimate would be to include a rechargeable battery inside the case, with a regulated ac supply. Then you could unplug from the base ac mains, move to the car, change antennas, plug into the cigar lighter, start up and drive away—all without missing a word.

The problem of both ac and dc operation can be greatly simplified by using two power cords terminated with 4-pin Jones female plugs. This eliminates the need for changeover switching. One cord is made using pins 3 and 4 for 110 Vac. The other cord would be for mobile use, connecting pin 1 to +12 Vdc and pin 2 to vehicle ground. Don't forget the blocking diode. The battery can be kept

everything in this whole area seems to be either wrong impedance, too wide- or too narrow-band, too expensive or generally not available.

Another nice item would be an IC suitable for an untuned crystal oscillator (10.245 MHz) and mixer unit for dual conversion. Also, a linear IC with an fet

materials and suppliers

1. Heath Company, Benton Harbor, Michigan 49022. Order: 10.7 MHz solid-state i-f strip P/O Heath Model AJ-43 or AJ-43D Part number 100-M521
2. Plectron Corporation, Overton, Nebraska 68863. Order: high-band rf board number 3185 (\$12.00 ea.) low-band rf board number 3283 (\$9.00 ea.); crystals for Plectron Boards HC-25, holders non-oven type, 0.005% third-overtone, 32 pF load (\$8.00 ea.)
3. Vanguard Electronics Labs, 16-23 Jamaica Avenue, Hollis, New York 11423

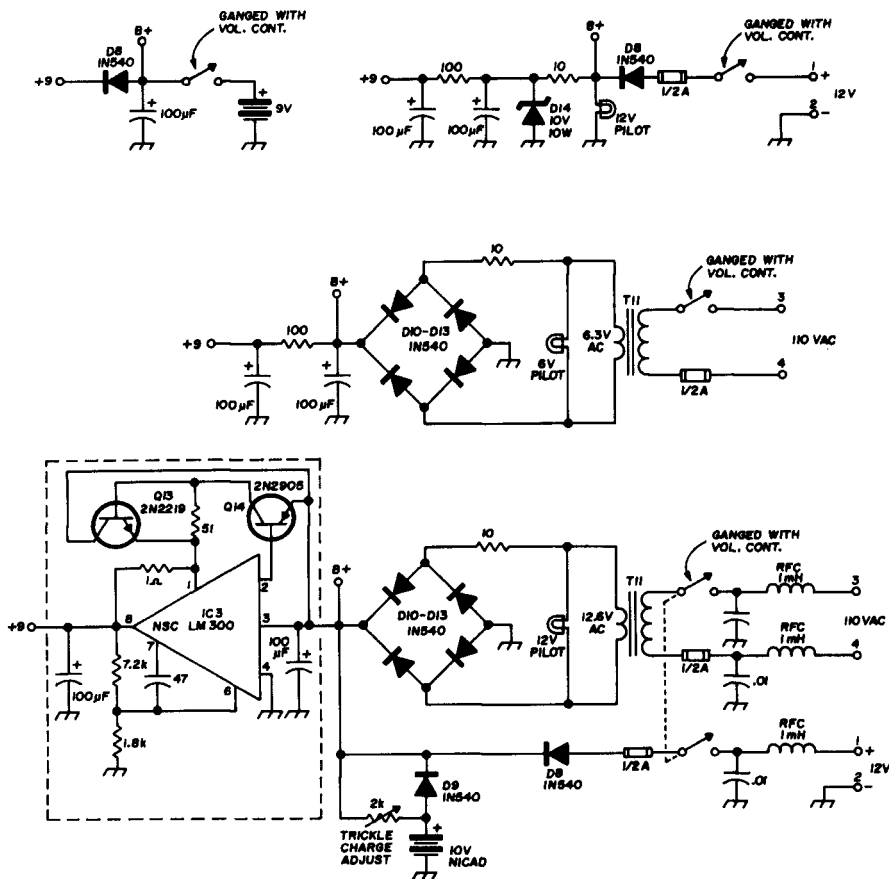


fig. 4. Power supplies for the modular fm receiver.

mixer section for the first converter/first i-f amplifier would be desirable. National Semiconductor has just released a complete squelch and agc unit, which would shrink the audio sections still further. Then there are LSI (Large Scale Integration)

techniques, which could mean practically the whole receiver pasted on the back of the speaker; next year's receiver should be a lot smaller, a better performer and quite a bit cheaper and easier to build.

ham radio

■ crystal control for the HW-100

Crystal control is an option not offered by most transceiver manufacturers. Granted, most vfo's are stable and accurate enough not to require the steadiness of a rock, but there are times when crystal control is a definite advantage. Mobile operation is enjoyed by a lot of amateurs, and here a stable,

known frequency is most welcome. Many of my friends operate on a single frequency most of the time; there's someone monitoring the frequency nearly 24 hours a day, and this can be reassuring to a lone mobileer. Crystal control is also useful for net operation.

The crystal oscillator shown in **fig. 1** provides more drive than necessary and must be padded down with the 45-pF trimmer. The circuit is very inexpensive to build—less than the cost of the crystal itself. A positive supply voltage is picked off the zener diode that biases the vfo amplifier tube. With the switching circuit shown, it is possible to select: vfo-controlled transmit **and** receiver; crystal-controlled transmit and vfo receiver; or, crystal-controlled transmit **and** receive.

When ordering the crystal for this circuit, specify that it will be used with a 32-pF load. The vfo tunes from 5.5 to 5.0 MHz (low to high end of the band). Therefore, to operate crystal controlled on 3999 kHz for example, you need a crystal cut for 5001 kHz. The 12-pF trimmer is used to

put the crystal exactly on frequency. If you plan to operate near a band edge, it would probably be a good idea to spend the extra money for a commercial-grade crystal.

The crystal oscillator is built up on a terminal-strip board and bolted to the back of the vfo chassis as shown in the photo. An insulating strip is placed under

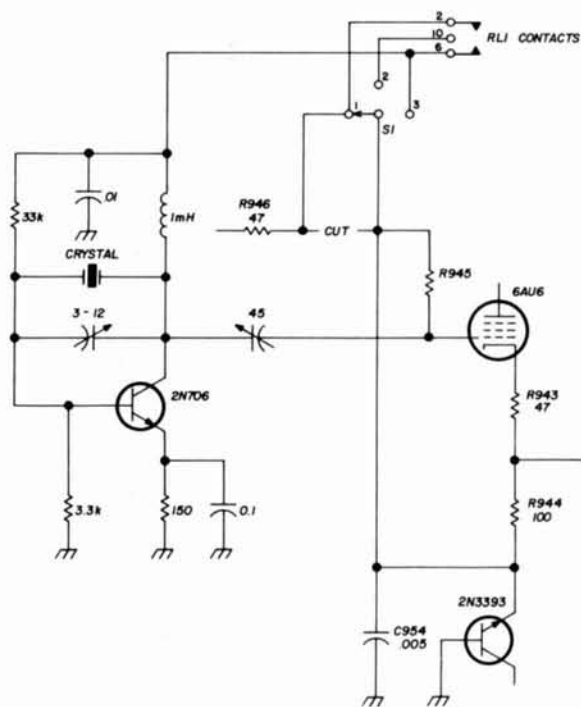


fig. 1. Crystal control for the Heathkit HW-100. In switch position 1, the vfo controls both transmit and receive; in position 2, crystal control on transmit, vfo control on receive; position 3, crystal control on both transmit and receive.

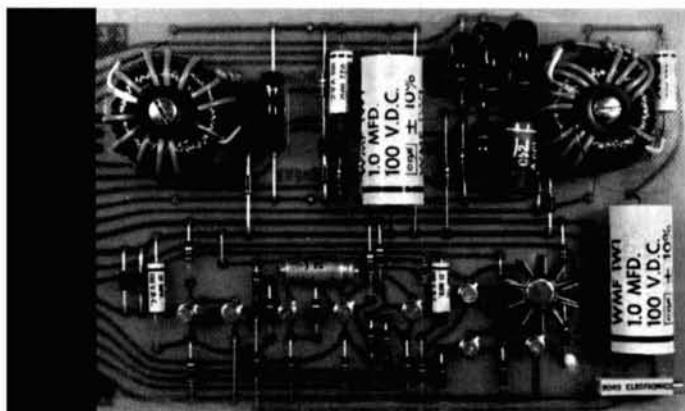


Front panel of the modified HW-100 showing the crystal/vfo control switch.

the board to keep it insulated from the chassis. Drill a hole beside the 6AU6 to accommodate an insulated feedthrough bushing: the 45-pF trimmer is mounted between the circuit board and the feedthrough insulator. Additional holes are drilled through the top of the vfo chassis to accommodate the wires needed to operate the crystal circuit and incremental tuning unit.

The 47-ohm resistor is disconnected from terminal strip FF (pictorial 7-2 in the HW-100 manual). A wire is soldered to this resistor and passed through the top of the chassis to terminal 2 of the rotary vfo/crystal switch: a wire soldered to terminal 1 of terminal strip FF is connected to the common terminal of the vfo/crystal switch: a wire coming from terminal 3 of the switch is connected to the B+ tie point of the crystal oscillator. Three more wires are connected to the switch as shown in the schematic and connected to terminals on relay RL1.

Bill McCracken, K1GUU



why not try RTTY?

Circuits for
sending
and
receiving
radio teletype—
plus some
station-improvement
ideas

E. C. Sherrill, K6JFP, 4745 49th Street, San Diego, California 92115

While reading amateur radio publications I've noticed a very few simple, easy-to-follow construction articles on RTTY. To help fill the void I'd like to present some circuits that have added a great deal to the operating convenience of my station. Solid-state devices are used exclusively except for power supply transformers. For those who would like to learn more about RTTY theory and design, some references are included at the end of the article.^{1, 2, 3}

basic equipment

The most expensive item in an RTTY station (excluding transmitter, receiver and antenna) is the teleprinter. As with most equipment, these machines can be obtained by judicious horse trading. I've seen some advertised for as little as thirty dollars. Rebuilt ones cost up to \$150 if you want to go first class.

If you have a teleprinter, all you need to receive RTTY is a terminal unit (TU). The TU accepts tones representing code characters from the receiver, discriminates between the tones, and changes them into

positive- and negative-going pulses. These are sent through limiter and flip-flop stages and finally to a keyer stage. The keyer operates a relay in the teleprinter.

To transmit you'll need a frequency-shift keyer (fsk). This is a simple capacitance-tuned LC circuit that shifts the transmitter vfo output (usually 850 Hz) to form the code characters. The remaining equipment consists of two simple power supplies. Added refinements include an oscilloscope to monitor keying waveform and an audio frequency shift keyer (afsk).

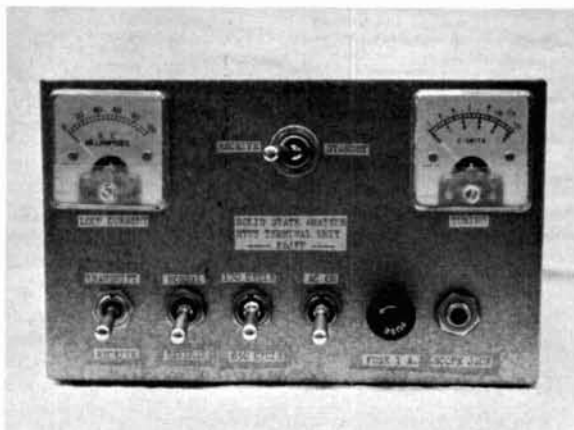
The TU printed circuit board is available at nominal cost.* It is a heavy-duty fiberglass board, and information on parts layout is included. (Mine came equipped with all edge connectors and transistor sockets.) You can get the complete unit with all components, wired and ready to play, for about sixty dollars. Either package comes with complete and extensive technical data.

The TU is the basis of the entire system (fig. 1). I modified the original Cashion circuit to accommodate some switching circuits for added operating convenience, and I added the power supplies and fsk board. A schematic is also included for an afsk board (fig. 5) for those who might be interested.

power supplies

These are diagrammed in fig. 2. Jacks J3, J4 and J5 must be insulated from the TU panel. A transmit/receive switch (S5A) gives

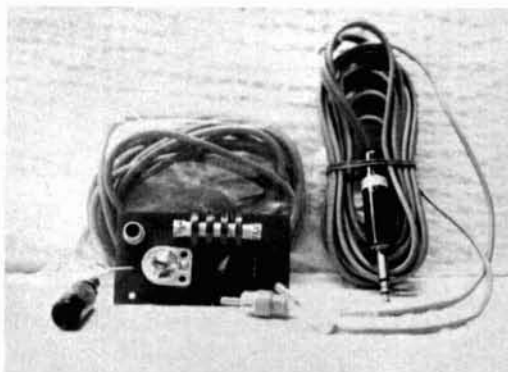
Front panel of the solid-state TU.



control of the transmitter from the RTTY position. (See also fig. 3 which shows connections between TU board and transmitter.) Switch S5B, which is one-half of S5, disconnects the TU keying circuits during transmission but lets you monitor the tones with an oscilloscope. (see also fig. 1.)

the TU board

Most RTTY terminal units have provisions for normal/reverse copy. Occasionally you'll find a station using reverse transmission, or you just might have tuned him in on the wrong sideband. Switch S2 (fig. 1) will give



The fsk with accessory cables and a dummy plug for the TD.

the correct copy. Also I added a narrow/wide control; this allows you to choose between 850- or 170-Hz shifts, which are most commonly used.

My TU has a three-circuit microphone jack on the front panel. This is used to monitor signals with an oscilloscope, either during transmit or receive. Signals vary in amplitude, of course, and the S-meter is handy; but a scope is much better, especially during net procedures.

In the TU panel photo the switches are, from left to right, transmit/receive switch S5; normal/reverse switch S2; narrow/wide

* Cashion Electronics, P. O. Box 7307, Phoenix, Arizona 85011. Order a "two-tone limiterless TU no. 6." Price is about \$10. A phenolic board, without holes or plating is available for \$5.

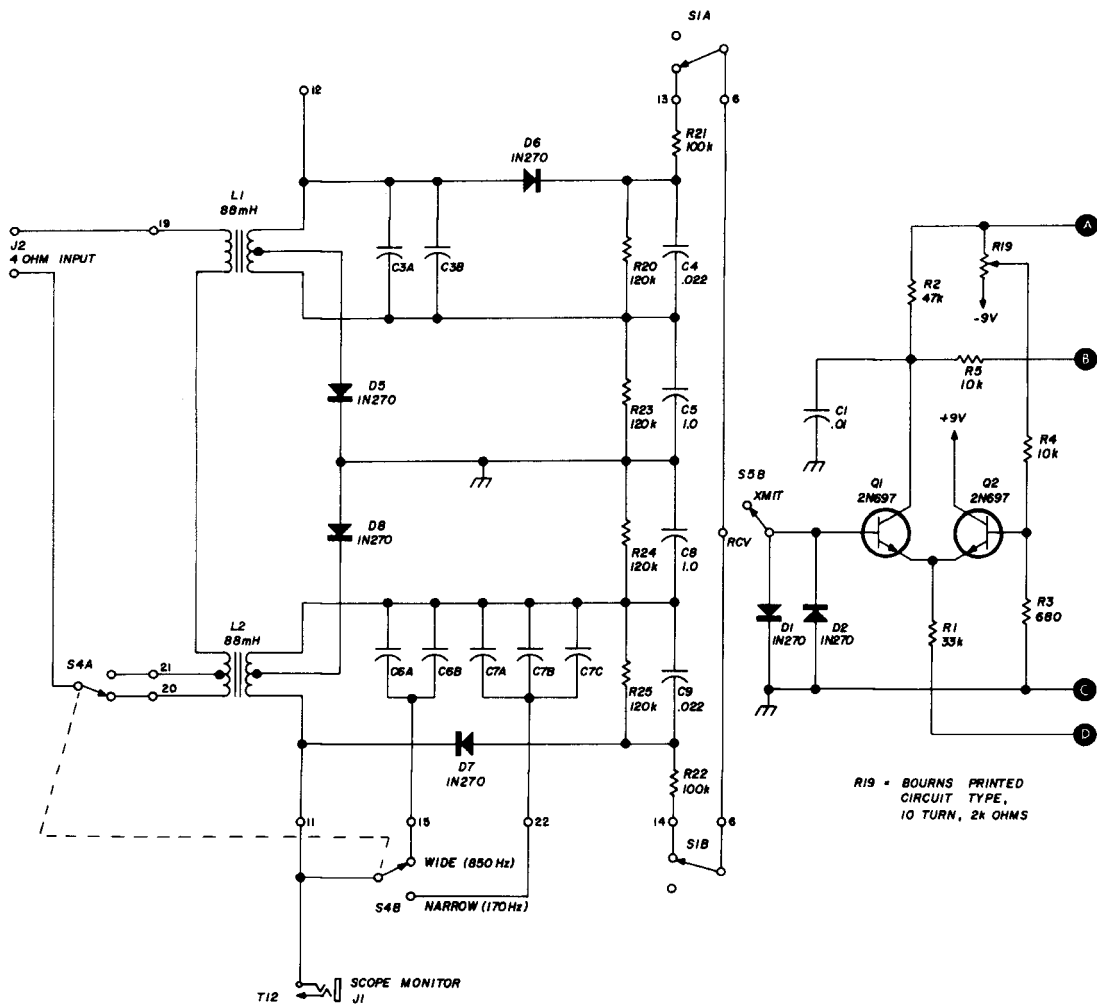


fig. 1. Schematic of the tuning-unit board. This is the basic unit; the text explains how accessories were added.

switch S4; and ac switch S3. Next to these are the fuse holder for F1 and oscilloscope jack J1. At the top are the 0-100 mA dc loop meter, receive/standby switch S1, and the tuning meter.

For transistors Q1-Q8 I used 2N697's, but other more inexpensive ones are now available. I used an RCA 2N3440 for Q9; again, these aren't absolutely the final word. Other types will work equally well. Be sure to use a heat sink with Q9.

the fsk unit

This circuit is shown in fig. 4. Parts are mounted on a PC board measuring about

two by three inches. Fig. 3 shows how the fsk output is brought into the TU board. The fsk is connected to the vfo in the transmitter by a single loop of wire wrapped around the vfo-tube cathode.

construction notes

The photos show the general layout of parts and the interconnecting cabling. Recognized techniques and precautions should be used when assembling these solid-state components. I shall emphasize again that transistor Q9 on the TU board **must** be installed with a heat sink.

Table 2 gives the connections to the TU

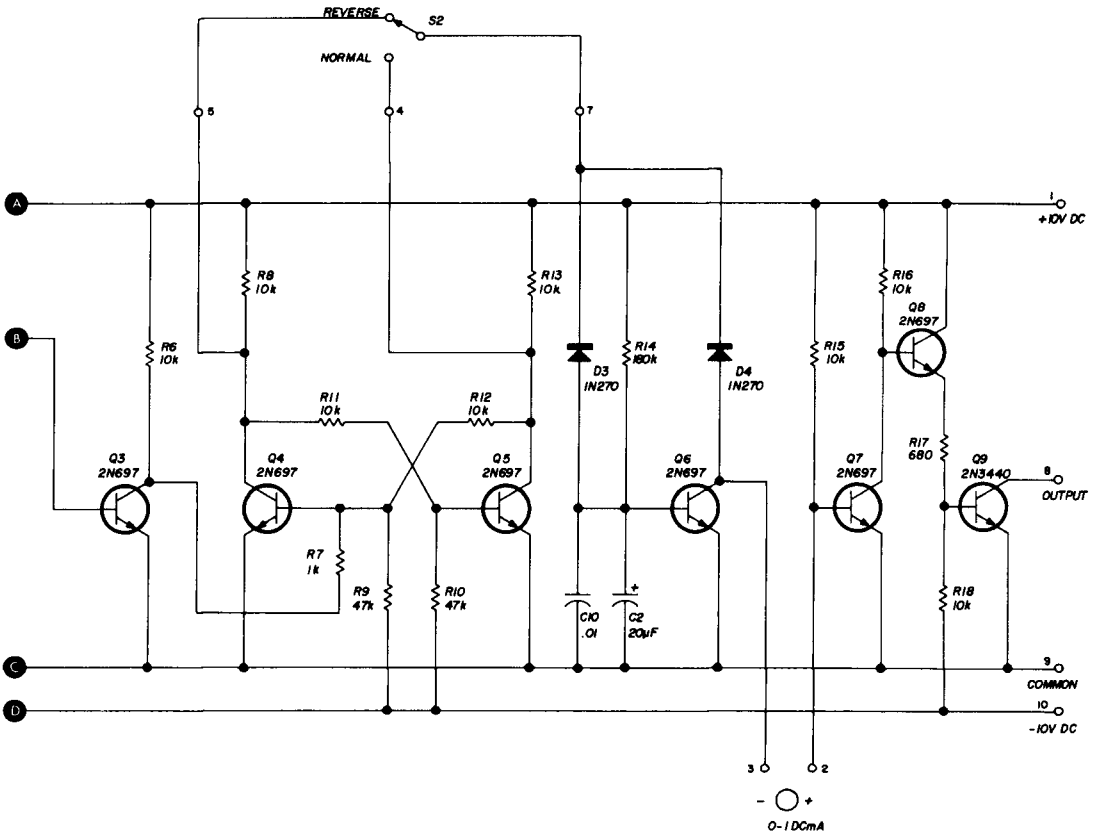


table 1. Parts list for the power supplies, fsk, switching circuits and accessories. (Note: Does not cover the TU board. See fig. 1.)

Jacks

J1 & J6, 3-circuit microphone jacks
 J2, J3, J4, J5, J7 single-circuit phone jacks

Switches

S1 dpdt mark/space—standby
 S2 spdt normal/reverse
 S3 spst ac switch
 S4 dpdt narrow/wide shift
 S5 dpdt transmit-receive

Meters

1 ea 0-100 dc mA Lafayette Miniature
 1 ea 0-1 dc mA or VU Lafayette Miniature

Cabinet

1 ea 5 x 7 x 9 inches Cal Chassis Company LTC 463

Transformers

1 ea Triad R-30 or equivalent
 1 ea 120 V primary, 15- to 24-V secondary,
 100 mA, Triad F-45X or equivalent

Fuses

F1 1A, 150 V

tu terminals	functions
1	+10 Vdc from regulated power supply
2	plus terminal of 0-1 dc mA VU tuning meter
3	minus terminal of 0-1 dc mA tuning meter
4,5,6	normal-reverse switch S2
6	To switch S5B mark space tones input to board
8	connect to RY-KBD-TD insulated jacks via loop supply
9	common ground
10	minus 20 Vdc from regulated power supply
11 } 15 } 22 }	vertical scope input, switch S4B or tuning bulb wide/narrow tuned circuit
12	horizontal scope input or tuning bulb
16	nc
17	nc
18	nc
19	from receiver output, 4-ohm input (J2)
20 } 21 }	switch S4A. wide/narrow shift tapped coils

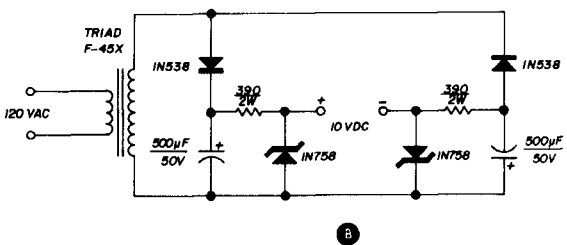
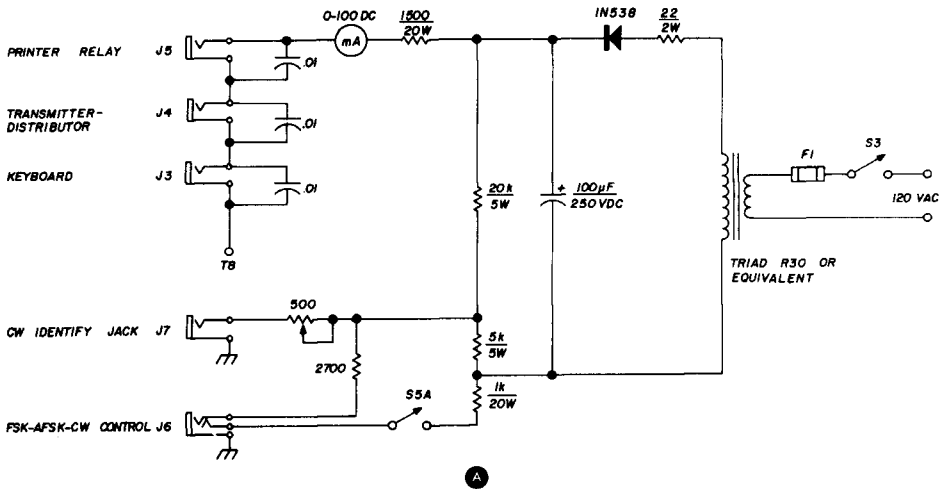


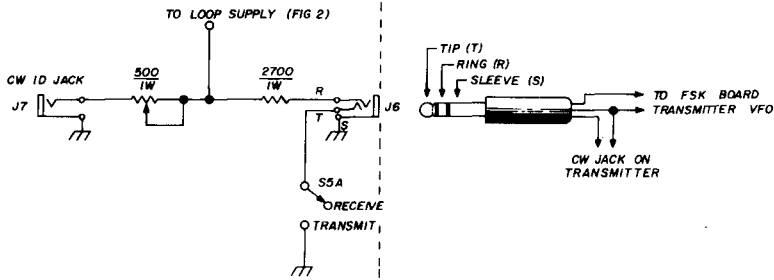
fig. 2. The loop supply (A) ties into the TU board at terminal 8. The low-voltage supply is connected to terminals 1 and 10. See fig. 1.

board. These jacks are shown in **fig. 1**. The power transformers and TU printed circuit board are mounted above chassis; all other parts are mounted below chassis. The front panel of my TU is secured by the switches, fuse holder and jacks. I used a Triad R-30 transformer for the 120-volt supply and a

Triad F-45X for the low-voltage supply, although any equivalents will work satisfactorily.

After everything is assembled, check all connections and wiring, then you're ready to insert the plugs. Turn on the power and check the 100-mA meter. It should indicate

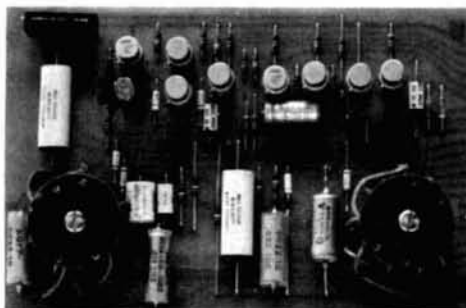
fig. 3. Fsk connections between the terminal unit and transmitter.



between 55 and 70 mA. If not, something is wrong, and you should recheck the circuits.

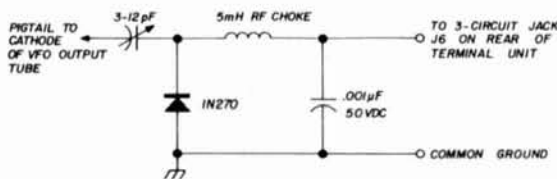
If the meter reads okay, turn on the audio, and then watch the loop meter and tuning meter. If signals are tuned in properly, the teleprinter will print out correctly. If it doesn't, check the beat frequency oscillator sideband in use, or the normal/reverse switch.

If you don't have the proper test equipment to tune the fsk unit, load the transmitter on a dummy load and vary the 12-pF capacitor. Try to match the received mark and space signals on your oscilloscope. When the tones are nearly correct, put your transmitter on the air and call a station. Your mark/space signals might not be just right, but he'll receive **something**. Then the real spirit of amateur radio will prevail!



The Cashion TU-6 board as assembled by the author.

fig. 4. The fsk circuit; this provides 850-Hz deviation for RTTY characters.



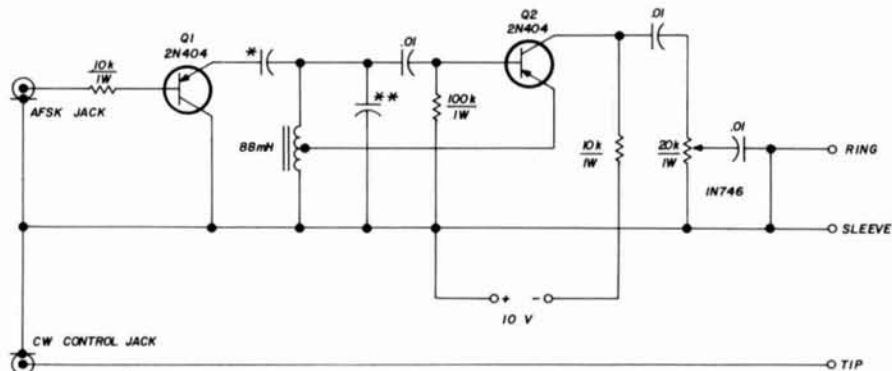
some parting thoughts

I am quite pleased with the circuits described. If you try them and have any real problems, send your questions and a self-addressed, stamped envelope. I'll do my best to help you. The most important watchword when working with these units is: **get the polarity right the first time.**

references

1. Byron H. Kretzman, W2JTP, "The New RTTY Handbook," 1961, Cowan Publishing Corporation, New York.
2. Durwood J. Tucker, W5VU, "RTTY from A to Z," CQ, August, 1964, through July, 1966.
3. Irvin M. Hoff, K8DKC, series of RTTY articles in QST during 1965: January, p. 14; February, p. 29; March, p. 24; April, p. 44; May, p. 16; June, p. 32; August, p. 27; October, p. 21.

ham radio



* APPROXIMATELY .033 μF TO TUNE TO 2975 CYCLES
 ** APPROXIMATELY .033 μF WHEN UNIT KEYED TUNES TO 2125 CYCLES

fig. 5. The afsk unit. Directly replaces the fsk if you wish. Remove the cable from the fsk and plug into the afsk. Output plug of the afsk (PL-68) plugs into an a-m or fm transmitter.

grounding and wiring

When you are trying to make a circuit that you've built from a schematic work properly one of the problems that may plague you is the grounding bug. This has probably caused more instant insanity than any other problem facing the electronics experimenter. As with any worthwhile project, there's a right way and a wrong way to do things. I'd like to pass along the results of some of my experiences with ground connections and wiring. If you're interested in exterminating the grounding bug on your next construction project, read on. It may save you much time and trouble getting the circuit to play.

grounding and wiring principles

Successful grounding in any electronic circuit depends on how dc voltage and current are controlled by wiring placement. Voltage can do strange things to your circuit. Reason: voltage is a workhorse which, if not treated with respect in circuit wiring, can be most unforgiving. Depending on the circuit, the negative pole of voltage may be grounded at a common point on the chassis. Or it may be left floating, as in a transformerless circuit that works directly from the ac input source.

Current, in contrast to voltage, doesn't terminate at some point on the chassis, but makes a complete pass around the circuit. Anything that interferes with the current loop (stray capacity and inductance) re-

duces circuit efficiency and produces an instability problem.

In the following discussion I shall explode some myths about grounding that have hung around since the early days of radio. If you consider what I have to say, you should have a better understanding of how voltage and current behave in electronic circuits. Then you can construct your equipment with these thoughts in mind and be reasonably sure that luck, at least, won't be one of the independent variables that influences hardware performance.

about voltage

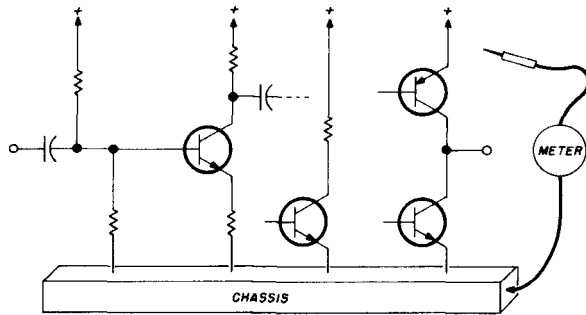
Digressing for a moment, voltage is electrical pressure between two points. It's measured by the indication on a meter connected between the two points. Commonly, one of these points will be at ground potential. One definition of ground is "a circuit point that may be earthed without upsetting the circuit." This definition was valid for circuits years ago, but for today's modern circuits it is an oversimplification.

The circuit designer has a choice as to whether a ground will be included, and if so, which part of the circuit will be at common ground potential. Usually a large piece of metal, such as a chassis, is chosen as the place where you attach one lead of your meter to measure dc voltages (fig. 1). The circuit is usually designed so that signals look good when viewed from this reference point.

Jim Ashe, W1EZY

The manner in which voltages are controlled in circuits can mean the difference between success and failure when you first turn on that new piece of equipment. The schematic is an idealized road map. It does not show the many extraneous resistances, capacitances and inductances found in the hardware. If all these elements were included in the schematic it would be quite messy, indeed. Good wiring practice and lead dress will minimize these problems, which are the grounding bugs I mentioned earlier.

fig. 1. When you think of a circuit ground, you usually think of something like this. Everything in the circuit refers to the one solid piece of metal, and test meters are attached to this reference point.



about current

Current can be thought of as a kind of fluid, but flowing in a solid medium rather than in a pipe. If you want to measure current, you insert a measuring device into the stream, or you may insert a resistor into the stream and measure the voltage developed across it.

The water pipe analogy for current flow is misleading, at least when you're trying to understand what happens to current flow in an electronic circuit. Eventually water in a pipe runs down a drain somewhere. But current makes a complete pass around an electronic circuit, as in fig. 2. There's no common point where current can be disposed of, as with voltage. Current pops up again somewhere else, and when you're building a circuit you must know where.

A current gone astray can cause unwanted feedback. Apparent grounding of an audio amplifier, for example, can fool you. If you choose just any handy tie point, some of the output current can find its way

into the input circuit. Then you have feedback, and an unstable system.

about circuits

Modern electronic circuits seem to be harder to work with than those of a few years ago. Active devices have more gain, which means more sensitivity to unwanted feedback. The higher gain is often accompanied by response to much higher frequencies. This means smaller unwanted coupling inductances and capacitances can return enough signal from output to input

to produce instability. Have you noticed construction projects lately containing RC circuits or ferrite beads in their input circuits? These are added, as in fig. 3, to control high-frequency response. Older circuits didn't need these provisions.

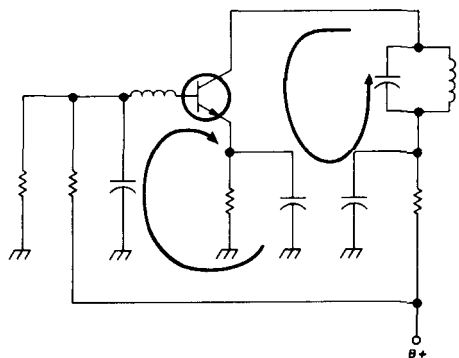


fig. 2. Input and output currents follow loop paths in this single i-f amplifier stage. Interfering with the current loops reduces efficiency and increases hazard of unwanted feedback.

A schematic contains two circuits: the dc supply circuit and the ac signal circuit. This fact is obscured in the schematic, because many components perform two jobs. The collector resistor in a transistor audio amplifier, for example, functions as a signal load resistor as well as a device to decrease the supply voltage to a lower value as seen at the collector. Let's trace these circuits and see what happens (fig. 4).

From the power supply positive terminal, the dc bias current flows along the supply line. Then it reaches a point where it can

fig. 4. Signal and dc biasing paths share elements in this simple audio amplifier circuit.

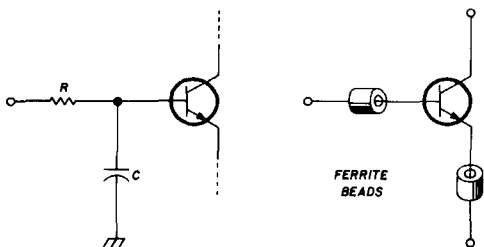
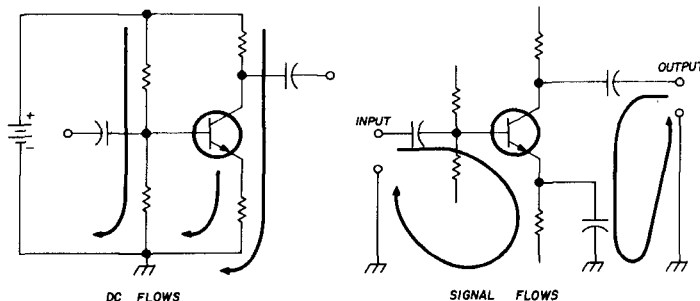


fig. 3. Two methods for reducing high-frequency response.

flow through the load resistor to ground. Going back, we find other routes: through the base bias network, and from base to emitter to ground. At the ground terminal these currents meet, and we trace them back to the power supply. This completes the current loop. It shows that the dc-supply circuit actually extends through the active elements in the circuit. Thus there's a lot more to the dc supply than two wires with the circuit between.

Now let's look at the signal circuit. We trace the current loop the input signal follows. The signal flows to the base, down to emitter and ground, and back to the input. The collector signal flows to the emitter, to the emitter bypass capacitor, then to ground, and finally back to the collector.

Here's an important point, sometimes easily missed: not all of the signal follows this route. No matter what resistance is placed in the collector circuit, some of the signal finds its way to the supply lines and to all the places to which they extend.

This is why some writers emphasize decoupling.

Now for some practical examples.

oscillators

In fig. 5 I've drawn a simple oscillator circuit. It can't feed currents into the rest of the system, because it has no signal ground. It could be operated from a negative supply by returning the positive terminal to supply ground, with the negative terminal above ground; this is the commonbase oscillator. There's no magic about having the base connected to a large piece of metal, so this connection is omitted. All currents have free paths to follow correct routes, and the circuit works fine.

audio amplifiers

I once had an experience with an intercom amplifier that simply would not stabilize. It turned out to be caused by a speaker ground return to a handy tie point under the gain control. Let's see

what happens when such an amplifier is wired according to the single-point ground theory.

The circuit of **fig. 6** is one you might assemble from a printed-circuit amplifier kit. Why isn't it stable?

Heavy output current is provided to the speaker. One watt into eight ohms is 125 mA. The speaker return is connected to the

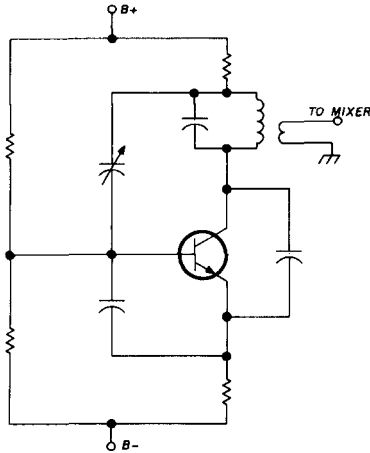


fig. 5. Here is a conventional common-base oscillator with no ground connection for feeding a simple rf mixer.

chassis. After passing through the speaker, the current flows all the way around to the common ground wire and finally back to the power amplifier.

Probably because of the way input connectors are constructed, and because there's no extra terminal on the PC board, the input current must follow a route through the amplifier, along part of the same wire to the chassis, and back to the input connector. This doesn't look too bad. But let's estimate the voltage produced by the output current across the input terminal.

If the entire resistance of the common wire, including chassis connection, is 10 milliohms (and with a poor connection it could be more), the 125 mA audio current can generate 1.25 millivolts of unwanted current. If the phasing is correct, oscillations may result. At some frequency, the phase probably will be correct. The remedy

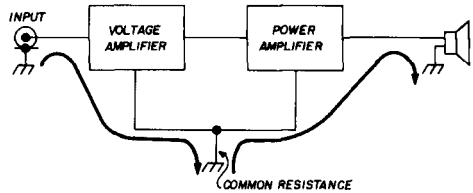
is a small revision of the output circuit. This will allow the heavy output current to follow a **direct** route to the output stage.

rf amplifiers

The grounding bug can be responsible for rf feedback in rf stages. I once talked to a fellow with a well-shielded but unstable kW rf power amplifier. "How can this be unstable?" he asked. I don't know how it finally came out, but I saw something that appeared to be a prime suspect.

Rf current flowed from the two 813 anodes to the pi network. From there, it flowed into the antenna coax center conductor. The key here is that equal return current came **back out** of the connector and eventually found its way down through the two holes in which the tubes are placed. Finally, the current found a way to return to the tube cathodes. If the phasing is correct, current


fig. 6. This audio amplifier is unstable because of feedback through a resistance common to both the input and output.



coupled into the input circuit will cause oscillation.

This problem can't be resolved by shielding, because that's not where the trouble is. Some provision must be made to carry the return rf current **directly** to the cathodes. My recommendation, before building any rf power amplifier, is to draw a picture of the current route, including the coupling system. Include any direct paths that the current could follow. If you can't see the route, the current probably can't either, and some rerouting of return leads is a must to tame the circuit. This will yield an additional benefit of improved sensitivity (in a receiving system) and better performance.

ham radio



a top-loaded 80-meter vertical

This efficient antenna
can be built
for under twenty dollars—
it's one answer
to restricted space

George Cousins, VETTG, Box 18, RR 2, Lower Sackville, Nova Scotia

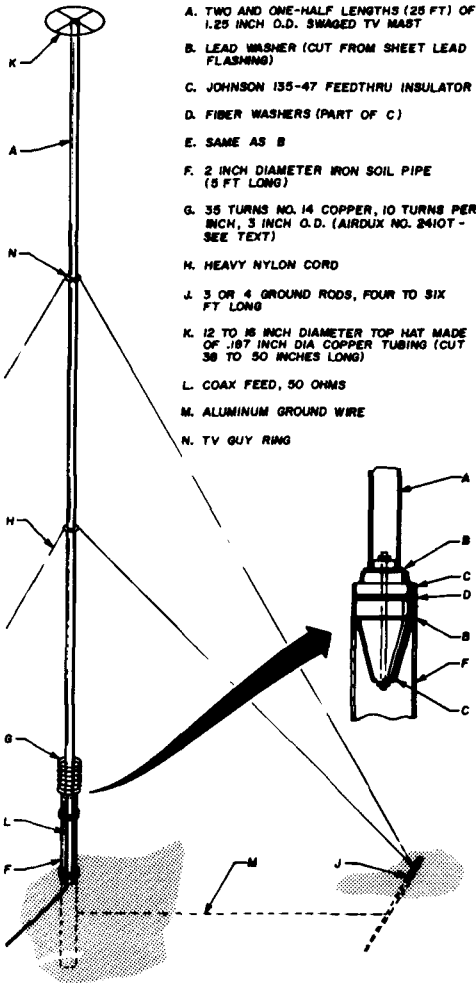
The search for an efficient, low-cost antenna for 80 meters often takes on strange forms, mostly because of the fairly considerable space necessary to get any sort of decent performance. Limited lot sizes often prevent erection of anything like a proper horizontal dipole, and even a long wire becomes a problem. However, a convenient answer to the problem may appear in the form of a vertical.

Many thousands of hams operate 80-meter mobile with small whips, using their car bodies as ground planes. Many attempts have been made to use these whips in home installations, with limited success. I believe the best answer is a happy compromise between whip and full-sized antenna.

The array described here is just such a compromise, but quite an efficient one, which should find ready appeal because of its low cost, small size and ease of installation. It's constructed of readily available materials, and can be built and installed in less than a day with no strain whatsoever. This antenna was designed and built by Wilbur (Bill) Hills,

VE1KK, a well-known 80-meter man here in the Maritime Provinces. Reference to **fig. 1** will provide clear construction details.

fig. 1. Construction of the low-cost vertical antenna for 80 meters.



construction

The radiating section is made from two and one-half ten-foot lengths of tv mast, approximately 1 1/4 inches in diameter. When purchasing the mast, pick up a couple of tv guy rings at the same time. The base support is made from a length of

two-inch iron soil pipe (a five-foot length will be adequate). The pipe will be eventually buried in a hole where the antenna will be positioned, but don't dig the hole until you finish this article so you have an idea of just where to dig it.

Also remember that the soil pipe must be set truly vertical, or the antenna will have a drunken lean to one side or the other. To insulate the antenna from the mount, a Johnson number 135-47 feedthrough insulator is used. The insulator is inverted and its longest section is placed inside the pipe. The antenna is then placed on the insulator's base. To protect the porcelain from contact with the metal pipe, two washers cut from a sheet of lead flashing separate the insulator from the metal.

The heart of the antenna is the loading coil at its base and the capacitance hat at the top. Both are easy to construct. The coil is made from a section of commercial Air Dux number 2401T, or home-made using 35 turns of number 14 copper wire, wound ten turns per inch three inches long. Small plastic strips, similar to the commercial stock, should be cemented to the wire for support. Alternately, the coil can be wound on an insulated form.

The capacitance hat is 12 to 16 inches in diameter, using 3/16 diameter copper tubing or a close equivalent. If the outer ring is soldered to the radials, and the inner ends of the radials soldered to a metal ring clamp, the hat will be rigid and can then be clamped or even soldered to the top of the mast.

final assembly

Because the efficiency of a vertical antenna depends greatly upon its ground system, provision will have to be made to lay out as many ground radial wires as possible. The radials can be buried in the ground a few inches, although laying them on top of the earth will be all right. With this in mind, as well as remembering that the antenna must be guyed, proceed to lay out the position of the antenna and its guy stakes.

Dig the hole and set in the soil pipe. Next place the insulator, with the bottom lead washer, into the pipe. Slip the loading coil over the pipe and let it slide down onto the ground for the moment. The antenna element can now be assembled, and the guy rings installed. Because the element is very light weight, heavy nylon cord can be used for guys, and these should now be fastened to the rings. Two sets of three guys should be quite sufficient.

Before raising the mast, mark out the position of the guy stakes, and install them in a triangular pattern around the base. Ground rods a few feet long will be fine. Now the mast can be stood up, with its base near the soil pipe. When it's vertical, carefully lift it straight up and set it on top of the insulator. (Don't forget the lead washer.)

At this point I'll assume you have a friendly helper, and that he, or she, can run around and snub the guys while you hold the antenna upright. This will have to be done again later, to get the mast perfectly vertical, but at least it won't come down around your ears!

Now, slide the loading coil up the pipe

and fasten its top end to the bottom of the mast. Slip a couple of small plastic strips between the coil and the pipe to hold it in place and prevent it from shorting against the metal. Connect the other end of the coil to the center conductor of the 52-ohm coaxial feedline, either RG 8/U or RG 58/U, depending upon the power you plan to run. The RG 58/U will be fine for up to a half kilowatt at least.

Bond the coax outer conductor to the junction of the ground radials, which can be made from copper or aluminum wire. Although they should be laid out radially, fanning out from the base in all directions, in practice this will probably be impossible. Follow the simple rule of "the more, the better," and lay them out in any pattern allowable. If the guy stakes are made of standard four- to six-foot ground rods, three of the radials could be also connected to these rods to give just a little bit better efficiency.

tune-up

Tune-up is simply a matter of matching the feedline to the vertical element. Use a clip-lead and tap the feedline along the loading coil until the best match (lowest swr) is obtained. It should be possible to obtain an swr under 1.5:1 for approximately a 300-kHz section of the band. However, like all shortened antennas, the swr won't be this low across the whole band, and some provision will have to be made for retuning if you make a radical change in operating frequency, such as shifting from the low CW section to the higher part of the phone allocation.

performance

Although the vertical antenna seems to be more useful for DX work because of its lower angle of radiation, this shortened version has good efficiency at the higher angles and has proved to be an excellent antenna for all-around work on this band. My thanks to my good friend VE1KK for passing along the design information and operational results that formed the basis for this article.

ham radio



"Oh yes . . .
I'll need a quart bottle
for the base insulator . . ."

For The Experimenter!

International EX Crystal & EX Kits

OSCILLATOR / RF MIXER / RF AMPLIFIER / POWER AMPLIFIER

Type EX Crystal

Available from 3,000 KHz to 60,000 KHz. Supplied only in HC 6/U holder. Calibration is $\pm .02\%$ when operated in International OX circuit or its equivalent. (Specify frequency)



\$3.95



OX OSCILLATOR

Crystal controlled transistor type.
Lo Kit 3,000 to 19,999 KHz
Hi Kit 20,000 to 60,000 KHz
(Specify when ordering)

\$2.95

MXX-1 Transistor RF Mixer \$3.50

A single tuned circuit intended for signal conversion in the 3 to 170 MHz range. Harmonics of the OX oscillator are used for injection in the 60 to 170 MHz range.

Lo Kit 3 to 20 MHz
Hi Kit 20 to 170 MHz
(Specify when ordering)



MXX-1



SAX-1

SAX-1 Transistor RF Amplifier \$3.50

A small signal amplifier to drive MXX-1 mixer. Single tuned input and link output.

Lo Kit 3 to 20 MHz
Hi Kit 20 to 170 MHz
(Specify when ordering)

PAX-1 Transistor RF Power Amplifier \$3.75

A single tuned output amplifier designed to follow the OX oscillator. Outputs up to 200 mw can be obtained depending on the frequency and voltage. Amplifier can be amplitude modulated for low power communication. Frequency range 3,000 to 30,000 KHz.



PAX-1



BAX-1

BAX-1 Broadband Amplifier \$3.75

General purpose unit which may be used as a tuned or untuned amplifier in RF and audio applications 20 Hz to 150 MHz. Provides 6 to 30 db gain. Ideal for SWL, Experimenter or Amateur.

Write for complete catalog.



CRYSTAL MFG. CO., INC.
10 NO. LEE • OKLA. CITY, OKLA. 73102

cw selectivity with crystal bypassing

You can improve
selectivity in
your ssb transceiver
with
this simple filter—
a no-holes
modification scheme

If you are like most amateurs who own commercially built equipment, chances are you skip over modification articles no matter how good the circuit improvement might be. But if the modification can be added without drastic changes, then perhaps you might be interested.

This article describes just such a circuit. By using existing controls on your ssb transceiver or receiver you can enjoy the benefit of added selectivity for cw reception. The circuit is simple and effective. All you will need are a crystal, a switching diode, and a couple of resistors and capacitors. No holes to drill, no extensive digging into the existing equipment, and no worries about defacing panels or chassis. Although primarily intended for transistor or IC stages, this selectivity circuit will work with some sets using tubes.

adding cw selectivity

Adding a crystal filter in the i-f section of a transceiver or receiver, particularly to improve cw reception, often presents problems. The conventional approach is to break the signal connection between the i-f stages to insert the crystal filter. This requires some means of switching out the crystal filter when it's not desired. Also, unless the *i-f strip* has sufficient reserve gain, the insertion of the filter may cause a serious decrease in sensitivity.

The crystal bypass filter presented here was developed to overcome most of these problems. It's particularly applicable to ssb transceivers, which require better selectivity on cw than provided by the ssb filter. The ssb filter provides good skirt selectivity so all that's needed for good cw reception is a single crystal filter whose frequency is centered in the transceiver's filter passband. The crystal bypass filter and the ssb filter work in tandem.

This method won't give quite as good results as a six-pole, 400-Hz cw filter, but it will provide better cw reception under crowded band conditions than is possible by using the ssb filter alone.

The only other simpler way to provide cw selectivity would be with an outboard audio filter. The one great disadvantage

John J. Schultz, W2EEY, 40 Rossie Street, Mystic, Connecticut 06355

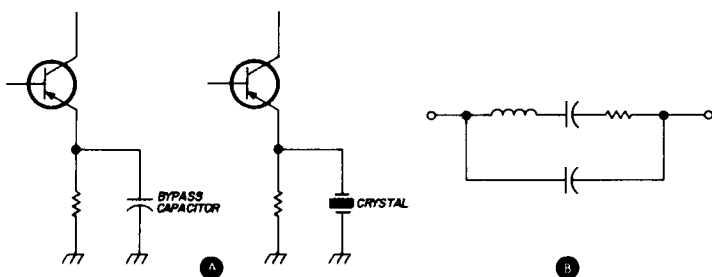
of this method is that the agc can't be disabled in any present-day transceiver, so strong signals entering the ssb filter still control agc action, although the audio filter makes them inaudible.

crystal bypassing

The simple idea of crystal bypassing is shown in **fig. 1A**. The emitter swamping resistor bypass capacitor provides no selectivity and, in fact, is chosen so the emitter is grounded for ac through an extremely small reactance at frequencies the stage is expected to amplify. If the swamping resistor were not bypassed, increased signal input would produce bias across the swamping resistor opposite to the for-

mode of the crystal will ground the emitter for ac at only one frequency. At all other frequencies, the stage will be highly degenerative and operate at reduced gain. The degree to which the crystal grounds the emitter will determine the loss introduced by the crystal. With crystals of high Q, which have very low equivalent resistance at their series-resonant frequency, the loss is small. In fact, it's conceivable that if an i-f stage were inadequately bypassed to start with, the crystal bypass might cause the stage gain to increase at the crystal frequency. On the other hand, if i-f stage gain is independent of the bypass capacitor, the crystal bypass wouldn't provide significant selectivity.

fig. 1. Capacitance and crystal bypassing of a common-emitter stage (A). Equivalent electrical circuit of the crystal is shown in B.



ward emitter-base bias, and stage gain would decrease considerably. This degenerative effect is used sometimes to stabilize a stage, and also is the basis for many compressor circuits.

equivalent circuit

The equivalent electrical circuit of a crystal is shown in **fig. 1B**. It has two resonance modes, one formed by the parallel LC combination (high impedance) and one formed by the series LC combination (low impedance). The two resonant frequencies are very close together. While the series-resonant condition can't be externally influenced, the parallel-resonant condition is easily affected by wiring and crystal holder capacitance.

If the emitter bypass capacitor is replaced by a crystal, the series-resonant

practical application

The bypass capacitor should first be lifted from ground to determine whether the crystal bypass method might be effective with a particular amplifier stage. The reduction in gain will indicate the broadness of the crystal response. If there is little gain reduction, signals outside the crystal passband will come through at about the same level as those in the passband. If a considerable reduction in gain occurs and the bypass capacitor is fairly large (0.1 μ F or so), indicating the circuit is of low impedance, crystal bypassing will work well.

With conventional grounded-emitter transistor circuits, crystal bypassing will be most effective. However, other bypass capacitors can be tried until the most effective gain control action is found.

Fig. 2A shows how crystal bypassing can be added to an existing i-f amplifier. The crystal is inserted between the existing emitter bypass capacitor and ground. The capacitor should be increased to 0.1 μF if it's not this value already. An spst switch shorts out the crystal for normal operation. Although the coax cable (fig. 2A) should be as short as possible, it's capacitance

the diode forward current to about 500 μA .

The considerations outlined above also apply to crystal bypassing in vacuum-tube i-f stages. However, the problem here is that voltage levels are usually high enough to damage most crystals. The series capacitor between crystal and emitter in fig. 2A will act as a dc blocking capacitor when inserted between the i-f tube plate

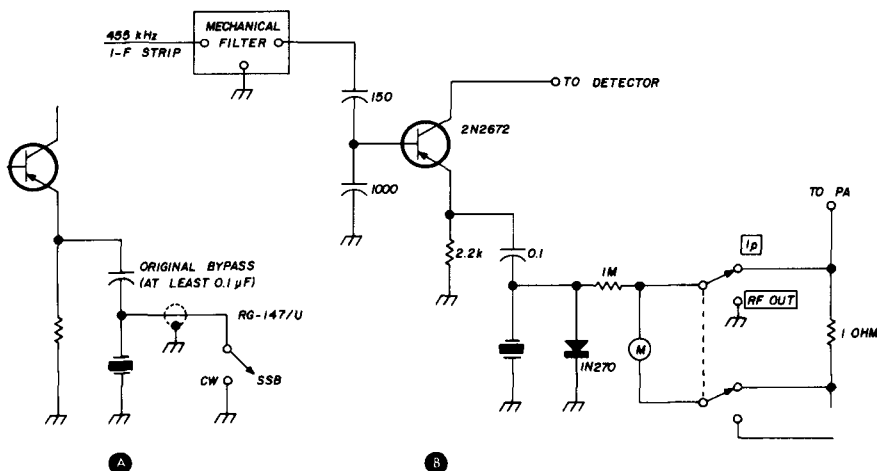


fig. 2. Simple switch-controlled bypass circuit (A). A diode-switched crystal bypass for an SB-34 transceiver is shown in B.

doesn't affect the circuit greatly. Cable capacitance primarily affects the parallel resonant mode of the crystal, since the cable is shunted across the crystal.

Fig. 2B, a variation of the circuit in fig. 2A, was tried on an SB-34 transceiver. Diode switching eliminates an rf-cable run from the emitter and takes advantage of a switch position already provided on the front panel. A similar scheme should be possible with many other transceivers. Switch S1 transfers the meter from a 1-ohm shunt in the amplifier plate lead to an rf output-level circuit. The diode is connected to the switch arm that goes between ground and the plate-voltage line; thus forward bias is either applied to or removed from the diode. When forward-biased, the diode shorts the crystal for normal reception. The 1-megohm series resistor limits

circuit and crystal. If the capacitor is large enough, the crystal frequency won't be affected. A value between 0.1 and 0.25 μF should be about right.

a final word

If you would like to add better cw selectivity to your ssb equipment, by all means consider the crystal bypassing scheme presented here. The circuit won't work in all ssb gear, but you can determine this easily enough as described previously. Careful examination of the front-panel control functions on most equipment should reveal one that will perform the auxiliary job of a crystal switch. A no-holes modification can then be added to provide real cw selectivity at the expense of only a few components.

ham radio

TOP OF THE YAESU **F** LINE



THE FT_{DX} 400 TRANSCEIVER

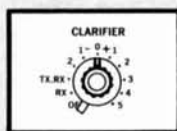
Conservatively rated at 500 watts PEP on all bands 80 through 10 the FT dx 400 combines high power with the hottest receiving section of any transceiver available today. In a few short months the Yaesu FT dx 400 has become the pace setter in the amateur field.

FEATURES: Built-in power supply • Built-in VOX • Built-in dual calibrators (25 and 100 KHz) • Built-in Clarifier (off-set tuning) • All crystals furnished 80 through the complete 10 meter band • Provision for 4 crystal-controlled channels within the amateur bands • Provision for 3 additional receive bands • Break-in CW with sidetone • Automatic dual acting noise limiter • and a sharp 2.3 KHz Crystal lattice filter with an optimum SSB shape factor of 1.66 to 1.

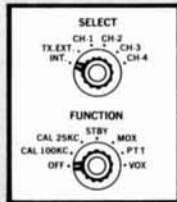
Design features include double conversion system for both transmit and receive functions resulting in, drift free operation, high sensitivity and image rejection • Switch selected metering • The FT dx 400 utilizes 18 tubes and 42 silicon semi-conductors in hybrid circuits designed to optimize the natural advantages of both tubes and transistors • Planetary gear tuning dial cover 500 KHz in 1 KHz increments • Glass-epoxy circuit boards • Final amplifier uses the popular 6KD6 tubes.

This imported desk top transceiver is beautifully styled with non-specular chrome front panel, back lighted dials, and heavy steel cabinet finished in functional blue-gray. The low cost, matching SP-400 Speaker is all that is needed to complete that professional station look.

SPECIFICATIONS: Maximum input: 500 W PEP SSB, 440 W CW, 125 W AM. Sensitivity: 0.5 uv, S/N 20 db. Selectivity: 2.3 KHz (6 db down), 3.7 KHz (55 db down). Carrier suppression: more than 40 db down. Sideband suppression: more than 50 db down at 1 KHz. Frequency range: 3.5 to 4, 7 to 7.5, 14 to 14.5, 21 to 21.5, 28 to 30 (megahertz). Frequency stability: Less than 100 Hz drift in any 30 minute period after warm up.

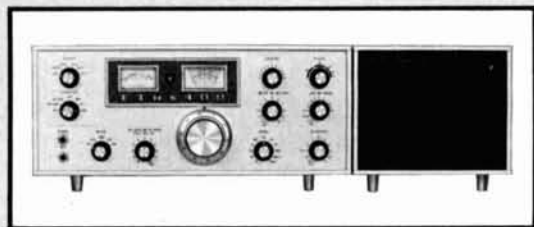


CLARIFIER CONTROL—Does the work of an external VFO—allows operator to vary receive frequency 10KHZ from transmit frequency, or may be used as an extra VFO combining transmit and receive functions.



SELECT CONTROL—Offers option of internal or outboard VFO and crystal positions for convenient preset channel operation.

FUNCTION CONTROL—Selects crystal calibration marker frequency and desired transmit mode of operation.



FT DX 400 \$599.95 — SP-400 \$14.95



SPECTRONICS BOX 356, LOS ALAMITOS, CALIFORNIA 90720

— PROFESSIONAL EQUIPMENT FOR THE AMATEUR —

the homebrew art

"The transmitter here is homebrew; the receiver here is homebrew." Remember when you used to hear that on the air? But today all you hear is, "The rig here is a Super Sky Model 10,000 Transceiver." Everyone then knows what it is.

What has happened to homebrewing?

First let's look and see what has happened to ham radio in the last 15 years. Single sideband, transistors, integrated circuits and the switch to transceivers have come into widespread use. But are these reasons not to homebrew? I don't think so. Now let's look at the marks against homebrewing: Takes time; can't find the parts; costs too much; doesn't look good; can't build ssb gear because I don't understand it; don't know anything about transistors. Let's take these one at a time and see how hard they really are.

time

It takes time; truly it does take time to do most anything, but if a few hours were set aside each week for a homebrew project, you could soon have it built. The more time you allow for the project the quicker it will get done. A receiver, transmitter or transceiver will take a lot more time than an swr bridge. So remember this when you start a project, and don't expect that receiver you might be building to be working in a day or two.

parts

This is sort of the same old thing, law of supply and demand. If you don't buy parts, the stores won't stock them. "Well then," you ask, "where can I get parts?" Allied Radio or Newark in Chicago, or Lafayette in New York, seem to have the best selection of parts. Sometimes Allied's regular catalog doesn't list some items, but their industrial catalog does. So if you build a lot it might pay to get an industrial catalog.

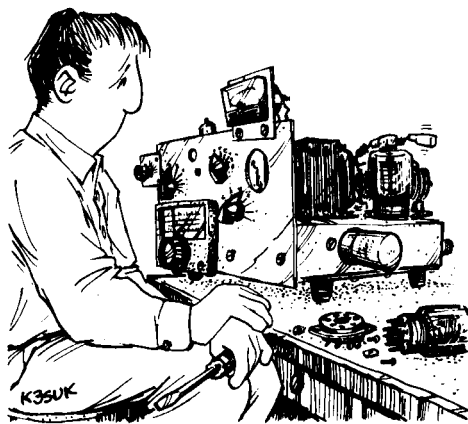
cost

The cost factor will vary, depending upon the size of your junk box. A homebrew rig doesn't have to cost a third of what a store-bought one would. If you don't have any parts to build with, maybe a trip to the local surplus store could help you. Sometimes a horsetrading trip to a local ham could net you some parts he's going to throw out. Either new or surplus parts will work, so the cost of homebrew equipment can be what you can afford.

appearance

A piece of homebrewed gear can look as good as you want it to. A little extra time and thought given to planning the layout, before any holes are cut, can make all the difference in the world as far as looks are concerned. Of course, the better a piece of equipment looks, the better it was laid out. So take that little extra time needed to make it look like a factory-built rig.

You can't build single sideband gear? If you've built a-m gear, you sure in the world can build ssb gear. Single sideband is much easier to build. Some will disagree



A little extra time and thought given to planning the layout before any holes are cut can make all the difference in the world.

Bill Hayward, WØPEM, 3408 Monterey Street, St. Joseph, Missouri 64507

with me here, but you don't have the big modulators, big power supplies, big cabinets, and big TVI problems with ssb that you do with a-m transmitters.

Single sideband transmitters use either the filter or phasing method, but the trend today is toward the filters.¹

transistors

You don't know anything about transistors—you can't build with them? They're easier to wire than tubes because they have only three leads whereas a tube may have up to seven. The transistor requires no filaments so it operates cooler than a tube.

How can you find out about transistors? You might try some of the books on the market today. A good one is "Basic Theory and Application of Transistors;" it is TM-11-690 and costs only \$1.25 from the Government Printing Office in Washington, D.C. It will give you a good basic understanding of transistors. Or you might try one of the new self-instruction programmed books on transistors. Maybe you could even take a course from one of the electronics schools in transistor theory. The ham who says he doesn't know about transistors doesn't **want** to learn about them.

design

You ask, "Where do I come up with a design?" I do R and C—Read and Copy. I start first with a list of things I want in a transmitter, then start looking through old magazines to see if I can find something close to what I want. Maybe I find one thing in one magazine; something else in another. I then combine the two into what I want.

Now that you have down on paper what you're going to build, you start looking through the junk box for parts, or maybe even make a trip to a friend's junk box. You find out then you don't have to order as many parts as you thought you would.

heat up the soldering iron

Then comes the big day when you start drilling holes. Make sure your layout is correct, because you are only building one

transmitter, not four or five, and you can't afford to make mistakes.

Now that the holes are all drilled, you start mounting parts; then comes the wiring. Take your time here, because it'll pay off in the long run. If you get tired after wiring for a while, set the work aside for a day or two, then go back to it. But be sure and **keep notes**. They will come in handy when you go back to wiring.



Usually I find one thing in one magazine, something else in another.

the final check

It will take time and patience to get the equipment in proper working order. But the extra time spent on tuning up and alignment will make for a better-sounding transmitter. The final-final test, of course, will be the on-the-air reports.

The next time you're on the air, and someone wants to know what that good-sounding rig is, you can say with pride, "the rig here is homebrewed."

If you're thinking about buying a new receiver, transmitter, or transceiver, why not think of the homebrew route? Not only will you be saving money, but you can learn what goes on behind that panel. And, after all, isn't that what amateur radio really is?

reference

1. Fred S. Randall, K1UKX, "Homebrew 5-Band SSB Exciter," *ham radio*, March, 1968.

ham radio

propagation

predictions for june

Perhaps you've judged from some of my past columns that I believe that there's much more to amateur radio than just communicating. This month's column is written for those amateurs who have a spark of the oldtime spirit of exploration of the unknown that brought amateur radio to its position of eminence. Let us revel a bit in these past glories.

The history of radio is replete with examples of contributions by amateur experimenters to science. In the beginning, there was Guglielmo Marconi. Although his later experiments were financed, and he was never a licensed amateur, his experiments were truly in the spirit and tradition of amateur radio.*

Marconi's transatlantic tests took place on wavelengths of 1000 to 2000 meters in 1901, in spite of the belief by most eminent scientists of the day that wireless communication was limited to the horizon. Kennelly and Heaviside independently postulated the existence of electrically conducting reflecting layers in 1902 to explain Marconi's results, and Balfour Stewart had predicted their existence more than 20 years previously to explain variations in the earth's magnetic field. However, the existence of these layers was not verified by experiments until 1925.

In the meantime many physicists were attempting to explain long distance propagation as being due to diffraction so they felt that the longer waves were the most useful. The Radio Act of 1912 restricted radio amateur operation to those "useless" wavelengths below 200 meters.

One of the earliest cooperative radio amateur scientific studies was the ARRL

Bureau of Standards fading tests held on 250 meters in 1920. In 1921 and 1922 the ARRL sponsored successful transatlantic tests on 200 meters and in 1923, two-way transatlantic communications took place with Leon Deloy, 8AB, in France on 100 meters. The race to the short waves was on, and the science of ionospheric physics was born.

In the 1930's, correlations of the effects of meteorological conditions on vhf were made by Marconi in the Mediterranean and later by Ross Hull of the ARRL using radio amateur observations. Also, amateur reports of long-distance 5-meter contacts led J. A. Pierce, W1JFO, of Harvard University, to establish the cause as sporadic-E. Pierce also correctly identified meteors as being the cause of transient hf propagation bursts inside the skip zone.

In the late 1940's, CQ magazine sponsored Radio Amateur Scientific Observations to map the motion of sporadic-E clouds using amateur 50 MHz observations.^{2,3,4,5} Radio amateurs also contributed to science by reports of vhf reflections from the aurora.^{6,7} Dr. O. G. Villard, Jr., W6QYT, at Stanford University introduced the radio amateur to such postwar developments as backscatter sounding,⁸ meteor scatter communication,⁹ artificial sporadic-E layers¹⁰ and widespread use of single sideband.

Perhaps one of the greatest postwar amateur discoveries was that of trans-

* If you haven't read George Jacob's articles on Marconi or the other excellent historical articles on "Men In Radio" in CQ magazine, you should. Also highly recommended are ARRL's historical articles, "Fifty Years of ARRL," which appeared in QST in 1964 and Clinton B. DeSoto's "200 Meters and Down."

Victor R. Frank, WB6KAP, 12450 Skyline Boulevard, Woodside, California 94062

equatorial propagation of vhf signals at night during years of high solar activity.¹¹ The National Bureau of Standards requested amateur observations of their South American 50 MHz beacon transmissions during the International Geophysical Year (IGY),¹² and the ARRL-IGY-PRP (International Geophysical Year Propagation Research Project)^{13,14,15} brought together amateur observations of anomalous vhf ionospheric propagation from all over the world.

In 1957, J. Chambers, W6NLZ, and R. Thomas, KH6UK, demonstrated that 144-MHz tropospheric vhf contacts could be made over water as far as 2540 miles and in succeeding years repeated the feat on 220 MHz and 432 MHz (one-way). In 1959 and 1960, R. Mellen, W1IJD, and C. Milner, W1FVY, demonstrated that 50-MHz signals could be propagated for distances as great as 2500 miles from Ice Island T3 through the auroral zone to the northern contiguous United States.^{16,17}

More recently, other than the OSCAR tests, amateur contributions to the state-of-the-art have left something to be desired. You may argue that, "These days true contributions to the state-of-the-art are made by large groups of well-financed researchers in government and industry; these days radio amateurs are at least ten years behind and many tens of dB's below the state of the art."

Perhaps you stand too much in awe of big technology. Sure, interesting discoveries **are** being made with facilities well beyond the capabilities of amateur radio. However, in over ten years of radio-propagation research I have been surprised by how much can be done by the properly motivated and educated "little guy."

Some of us just take up space on the bands; some of us **do** communicate; some of us do perform public service. A few of us may, once or twice in our lives, make a small contribution to science, or even an MSB (Major Scientific Breakthrough). At times most of us observe various geophysical phenomena—through frosted-over glasses. All that stands between just ob-

serving and actually contributing to science are perception, imagination, perseverance, and some skill, tempered with knowledge. For example, thousands of amateurs probably observed noise from outer space before Carl Jansky and Grote Reber, (W9GFZ),^{18,19,20} but Jansky and Reber had the necessary combination of mental ingredients and technology to make the discovery of cosmic noise in the 1920's, and eventually to carry the observations through to start the science of radio astronomy.

Lately, I had the occasion to talk with a scientist of note who shall remain unnamed, and I asked him about using amateur observations of some upcoming ionospheric chemical releases. His reaction was negative, not for security reasons, but because he felt that the useful amount of information gained would be more than balanced out by the job of sorting through misinformation. One major factor for this was the lack of satisfactory prelaunch communications to amateurs on previous tests of this sort.

Would you believe it? If not, listen in to some W1AW broadcasts or Project OSCAR broadcasts. Soon you too will come to the conclusion that we are a long way from having a reliable 24-hour-a-day amateur radio communications system. And that is, unfortunately, the nature of the radio amateur service.

long delay echoes

There are still some scientists that have not lost faith in radio amateur observations. Dr. O. G. Villard, Jr., W6QYT, has recently enlisted the aid of the Northern and Southern California DX clubs in collecting reports of long delay echoes which may have been observed by radio amateurs in the hf bands. He is particularly interested in signals that last for two seconds or more, and is not interested in the frequently encountered round-the-world echo.

In 1928, C. Störmer in Norway heard echos with delays of 3 to 5 seconds on transmissions from a station at Eindhoven,

Netherlands on 30 meters operated by fellow ionospheric scientist B. Van der Pol. He telegraphed Van der Pol, who listened and heard the echoes himself. Störmer thought the echoes were due to reflections from solar ionized particle streams, while Van der Pol thought them due to great group retardation in the ionosphere.^{21,22} Other scientists had other theories; E. V. Appleton thought the echoes may have originated from the signal circulating the earth repeatedly,²³ P. O. Pederson thought they may have been due to trapping of electrons along geomagnetic field lines,²⁴ and N. Janco thought they may have been due to trapping between ionospheric E and F layers.²⁵

During the 1929 solar eclipse A. E. Kennelly observed echoes with delays between 1 and 30 seconds on 25 meters.²⁶ Since 1934, reports of long delay echoes have been infrequent and have come only from radio amateurs. One systematic attempt to study the echoes was made in 1947 at Cambridge University in England, but it was unsuccessful.²⁷ For this reason, and the unsatisfactory possible explanations of this effect, most scientists today are inclined to discount the observations as imaginary.

However, the situation has changed within the past two years. Laboratory experiments with plasmas by Dr. F. W. Crawford at Stanford have indicated that microwave signals may be stored in a plasma and retrieved after an appreciable time delay. If the laboratory results could be extrapolated to the ionosphere, the delays would be tens of seconds and thus there is an awakened interest in long delay echoes.

Dr. Villard would like to hear from radio amateurs who have heard echoes of this sort on their or other station's signals with as much of the particulars as can be remembered. Tape recordings of such an effect are most welcome. The desired information includes call signs, addresses, date and time, frequency, modulation type, transmitter power output, antenna type, gain, direction of fire and height

above ground, and estimated duration of echo and characteristics of same, such as Doppler shifts, fading, strength or multiple echoes. In addition Dr. Villard would be interested in knowing your occupation and the year you obtained your first license. Reports should be sent to:

Dr. O. G. Villard, Jr.
Radioscience Laboratory
Stanford University
Stanford, California 94305

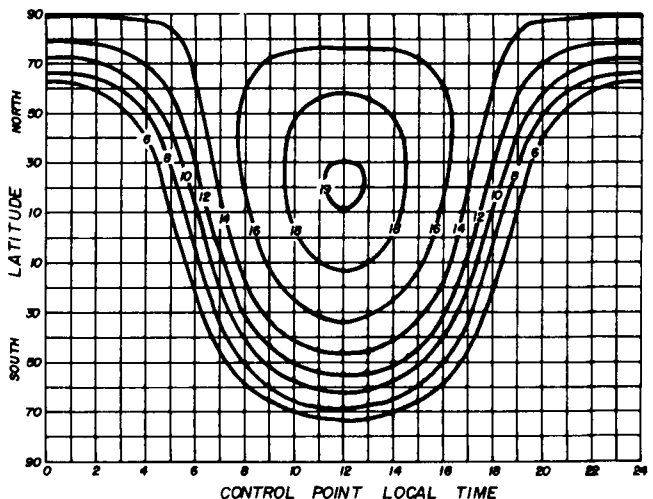
sporadic-E

I am interested in obtaining reports of 144-MHz sporadic-E and reports of 50-MHz sporadic-E under 400 miles at times when 144 MHz was open for sporadic-E last summer. I am also interested in reports of 50-MHz multiple-hop sporadic-E over distances greater than 2800 miles.

six-meter propagation during february and march

On February 2nd from 2215 to 2300Z, six meters was reported open for F2-layer backscatter between Northern and Southern California, Arizona and Kansas. WB6NTL in Sacramento reportedly worked a KP4 near 2230Z. On February 14th, ZB2BC, Gibraltar, reportedly heard ZE1AZG (beacon

fig. 1. Time chart of median E-layer for June 1969 predicted for the regular day-time E-layer.



station at Port Victoria, Rhodesia on 50.050) near local noon.

Solar activity increased drastically during the last week of the month. From February 20 to 27 the daily sunspot number was in excess of 200 and as high as 300, up substantially from earlier weeks. An active region on the sun near 12 degrees N. Latitude produced several solar flares of importance on February 24th at 2300Z, on February 25th at 0900Z, on February 26th at 0421Z, and on February 27th at 1358Z. Severe ionospheric disturbances followed the flares of the 25th and 27th.

Ionospheric physicists have found that the particles emitted from the sun during a solar flare are confined to streams and that the probability of the earth intercepting the stream from any given flare is small. Once a stream has bridged the gap from sun to earth, however, it forms a well conducting track through which subsequent flares may more easily shoot particles. This appears to have been the case during the period of February 27 through March 2, 1969.

On February 27th, W5RCT near Dallas, Texas reports working XE1AAN and hearing ZK1AA's beacon on 50.100 between 0135 and 0315Z, peaking as high as 40 dB over the noise at 0200Z and fading down into the noise between 0232 and 0259Z. March 1st was the beginning of the transequatorial season for CE3QG at Santiago, Chile when he worked into Colorado, Texas, New Mexico

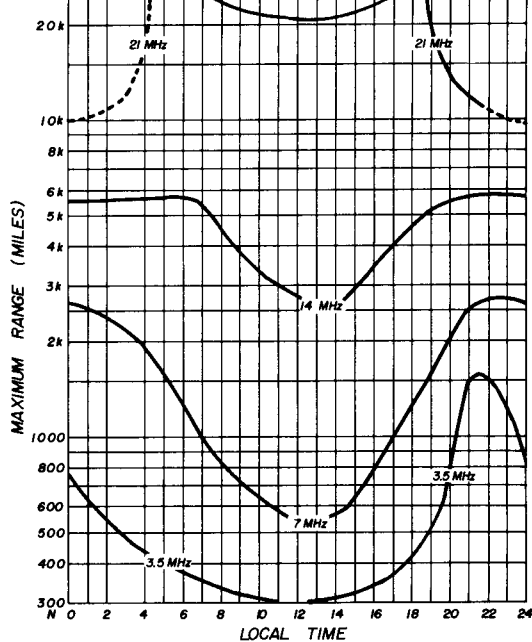
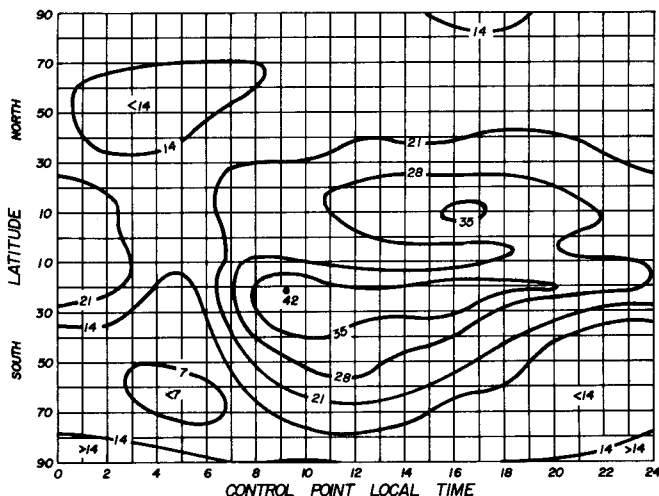


fig. 3. Maximum range to the north from 38° N. latitude as limited by absorption, atmospheric noise and system parameters (100 watts CW to typical antennas).

and Arizona. Sporadic-E was also present between these states and California. In addition, some fuzzy-sounding signals from locals were heard out of the northeast that resembled aurora. Most of this was between 0400 and 0600Z on March 2.

On the afternoon of March 8, there was a 50-MHz F2 opening between California and Hawaii for three hours with KH6EQF reported, "very loud." Backscatter was also reported between Northern and Southern California.

fig. 2. Time chart of median F2 muf for June 1969 from ITS predictions centered on a longitude of 90° W.



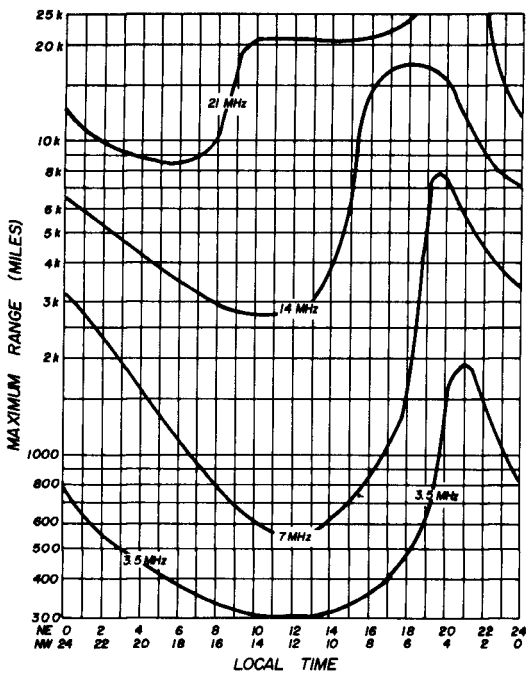


fig. 4. Maximum range to the northeast (top time scale) and to the northwest (bottom time scale) from 38° N. latitude.

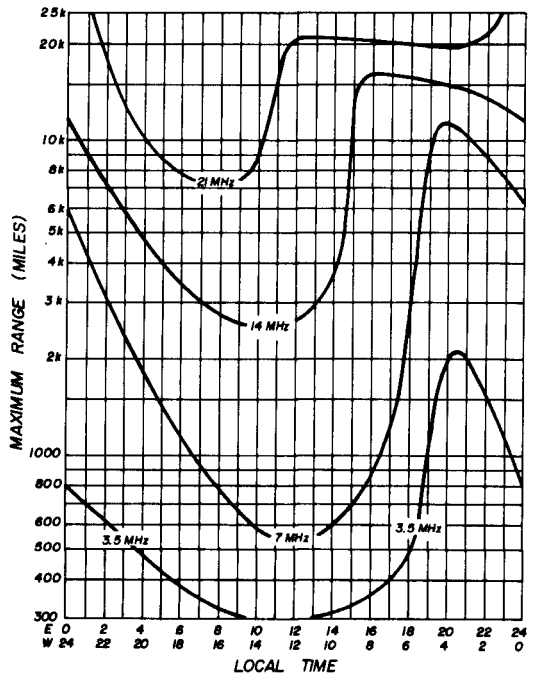


fig. 5. Maximum range to the east (top time scale) and to the west (bottom time scale) from 38° N. latitude.

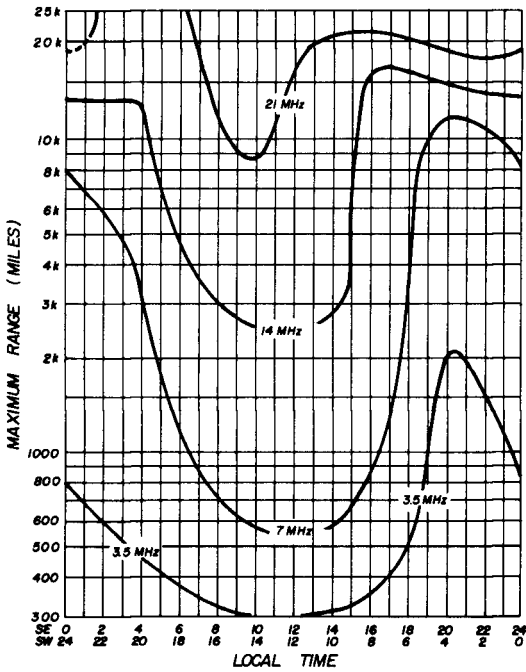


fig. 6. Maximum range to the southeast (top time scale) and to the southwest (bottom time scale) from 38° N. latitude.

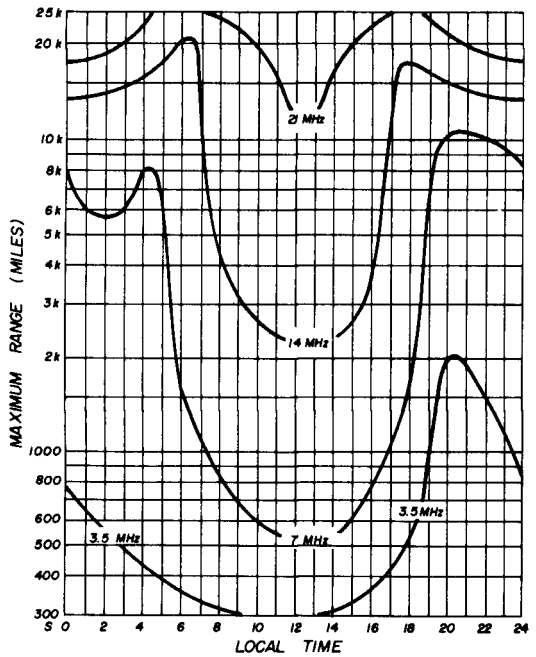


fig. 7. Maximum range to the south from 38° N. latitude.

how to use these propagation charts

1. To find the maximum usable frequency for F2-layer propagation for distances of 2500 miles or more in any direction, find your control point and read the frequency from the F2-layer muf time chart. Your F2-layer control point is 1200 miles away from your station in the direction of propagation; this is about an 18-degree difference in latitude for a north-south path, or 1½ hours time difference for an east-west path.

2. To determine the path muf for a path under 2500 miles, the control point is at the path midpoint, and a correction factor is applied to the 2500 mile muf. These correction factors are plotted in fig. 7 of the August 1968 column.

3. During summer daytime, the path muf for a path shorter than 1200 miles may be set by E-layer propagation. To determine if this is so, refer to the E-layer muf time chart and the chart of muf reduction factor vs distance in this month's column. Note, however, that sporadic-E will probably result in zero skip distance on 7 MHz and skip distances under 400 miles on 14 MHz very frequently during daylight and evening hours.

4. The F2-layer will probably be effectively shielded by the E-layer for operating frequencies below 70 percent of the predicted E-layer muf.

5. Over any particular path involving more than one hop, the path muf is the lower of yours and the other station's control-point muf. The muf time charts may be treated as muf contour maps. (The F2-layer chart has significant errors outside the range of longitudes between 45°W. and 135°W.) As such, each hour is the equivalent of 15° of longitude. A map drawn to the same scale can be overlaid and positioned to the right or left to show the variation of the muf contour map with time. Curved lines may be drawn on the overlay representing great circle paths, as found from a globe or "Ionospheric Radio Propagation," printed by the U. S. Government Printing Office.

6. To find the maximum propagation distance as limited by ionospheric absorption and atmospheric noise, refer to the maximum range charts for the directions you wish to work. Note that the time scales are reversed for westward propagation. Also note that this month the noise curves have not been assumed to be symmetrical about local noon. Thus when the curves are used to predict propagation to the west they may be in error due to this lack of symmetry. These curves are based on a unity signal-to-noise ratio of a 6-kHz bandwidth with 100 watts output and antenna gains (over an isotrope) of 6 dB for 20 and 15 meters, 0 dB for 40 meters, and -6 dB for 80 meters at each station.

propagation for june

Summertime conditions described in last month's column will be with us for several more months. In short, this means more noise on 80 and 40 meters and 20 meters at night, and more absorption on the same bands during the daytime. The inability to do much DX'ing on these bands near midday will be due as much to shielding of the F2-layer by the E-layer as due to absorption.

It takes a lot of E-layer hops to cover more than transcontinental distances at respectful elevation angles, and each hop gets absorbed more than a longer F2-layer hop. As a result best DX will be during twilight and darkness hours.

Although 15 meters is primarily a daytime band it may remain open well towards local midnight. Some mornings the MUF may not quite reach 21 MHz, or all you may be able to work is South Americans. You should be able to work polar paths that do not reach latitudes higher than 60 degrees north latitude for a fair fraction of the days of the month. Don't look for much F2-layer propagation between the East and West Coasts on 28 MHz during the month. There will be double-hop and sporadic-E occasionally, and regular openings to the Southern Hemisphere, however.

June is the big month for sporadic-E on 50 MHz (and perhaps on 144 MHz). In addition,

there are daylight meteor showers scheduled for June 4th-6th (Perseids), June 8th (Arietids) and June 30th-July 2nd (Taurids), and the nighttime showers, Scorpids (June 2-17) and Pons Winnecke (June 27-30). Judging by the connection shown between sporadic-E and meteor ionization in last month's column, these dates might bear watching for widespread sporadic-E as well.

The F2-layer muf time chart was derived from "Ionospheric Predictions" for a longitude of 90° W. These predictions are published monthly by the Institute of Telecommunications Sciences (ITS), Boulder, Colorado, and are available through the U. S. Government Printing Office. The maximum distance curves were derived from consideration of atmospheric noise levels (from CCIR Report 322) and calculated path losses at fixed

distances in each direction from 38° N. latitude. Some minor differences in maximum range will be noted due to change in absorption and change in noise levels throughout the 48 contiguous United States. Somewhat greater ranges should be expected over paths further from the sub-solar point (more northerly latitudes during daylight).

The predictions given in this column are for median conditions. On any particular day, muf's may be as much as 10 percent higher or lower than the median. Absorption and noise levels, particularly on the lower amateur bands, may be as much as 10 dB different from the median. Residential noise levels (from electrical lines, appliances, and vehicular traffic) may, and frequently will, be tens of decibels stronger than atmospheric noise.

references

1. G. Jacobs, W3ASK, "Guglielmo Marconi and the Sixtieth Anniversary of Trans-Atlantic Wireless Communications," *CQ*, December 1961, p. 26.
2. O. P. Ferrell, "The Radio Amateur and Upper Atmosphere Research," *CQ*, February 1949, p. 25.
3. O. P. Ferrell, "Upper-Atmosphere Circulation as Indicated by Drifting and Dissipation of Intense Sporadic-E Clouds," *Proceedings of the IRE*, July 1949, p. 879.
4. "Radio Amateur Scientific Observations," *CQ*, August 1949, p. 19.
5. N. C. Gerson, "The Air Force Interest in Sporadic-E Ionization," *CQ*, June 1950, p. 17.
6. R. K. Moore, "A VHF Propagation Phenomenon Associated with Aurora," *Journal of Geophysical Research*, March 1952, p. 143.
7. R. Dyce, "More About VHF Auroral Propagation," *QST*, January 1955, p. 11.
8. O. G. Villard and A. M. Peterson, "Instantaneous Predictions of Radio Transmission Paths," *QST*, March 1952, p. 11.
9. O. G. Villard and A. M. Peterson, "Meteor Scatter," *QST*, April 1953, p. 11.
10. O. G. Villard and R. S. Rich, "Operation Smokepuff," *QST*, May 1957, p. 11.
11. R. G. Cranknell, "Transequatorial Propagation of VHF Signals," *QST*, December 1959, p. 11.
12. K. B. Bowles and R. Cohen, "NBS Equatorial Region VHF Scatter Research Program for the IGY," *QST*, August 1957, p. 11.
13. M. P. Southworth, "The ARRL-IGY Propagation Research Project," *QST*, September 1956, p. 15.
14. M. P. Southworth, "A Look Back and Ahead at PRP," *QST*, June 1959, p. 49.
15. M. P. Southworth, "Night-time Equatorial Propagation at 50 MC/S. First Results from an IGY Amateur Observing Program," *Journal of Geophysical Research*, February 1960, p. 601.
16. R. H. Mellen et al., "Hams On Ice," *QST*, January 1960, p. 11.
17. R. H. Mellen and C. T. Milner, "Ice Island Revisited," *QST*, February 1961, p. 40.
18. B. Goodman, "Radio Astronomy," *QST*, May 1956, p. 17.
19. R. M. Brown and A. Katz, "Signals From Space," *QST*, March 1967, p. 60.
20. B. R. Campbell, "Jansky or Reber Father of Radio Astronomy?" *CQ*, May 1967, p. 35.
21. C. Stormer, "Short Wave Echoes and the Aurora Borealis," *Nature*, November 1928, p. 681.
22. B. VanderPol, "Short Wave Echoes and the Aurora Borealis," *Nature*, December 1928, p. 878.
23. E. V. Appleton, "Short Wave Echoes and the Aurora Borealis by VanderPol," *Nature*, December 1928, p. 879.
24. P. O. Pederson, "Wireless Echoes of Long Delay," *Proceedings of the IRE*, October 1929, p. 1750.
25. N. Janco, "Echoes of Radio Waves," *Proceedings of the IRE*, July 1934, p. 923.
26. A. E. Kennelly, "Radio During Solar Eclipses," *Electronics*, August 1932, p. 248.
27. K. G. Budden and G. G. Yates, "A Search for Radio Echoes of Long Delay," *Journal of Atmospheric and Terrestrial Physics*, 1952, p. 272.

Many of the references concerning radio amateur work in radio science prior to the Second World War have not been cited because they are not generally available and because the historical summaries in more recent issues of *QST* and *CQ* adequately cover this early period.

ham radio



MINIATURE SOLID STATE TRANSMITTER AND RECEIVER MODULES

by Walter Schilling of West Germany

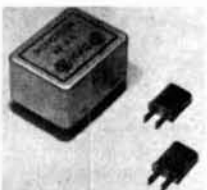
Building-blocks for modern, high performance HF and VHF transmitting and receiving equipment. Individual modules provide unusual flexibility: Several different receiver, transmitter and transceiver configurations are possible. In addition, modules can be used in critical, hard-to-build circuits in home-construction designs or for the modernization of existing equipment. Walter Schilling modules are manufactured in West Germany to the highest standards of quality and workmanship. All printed circuit boards are glass-epoxy, silverplated. High-quality, name brand components are used throughout. Components are rated conservatively.



- HS1000C** 9 MHz transmitter exciter module for SSB, AM, FM, CW **\$66.50**
- HS1000D** 9 MHz transceiver exciter module (as above, but with steep flank 2.4 KHz b/w crystal filter) **77.75**
- HS1000S** VOX/Anti-trip module for HS1000 C, D **16.00**
- HS1000V** VFO, 5-5.5 MHz **48.00**
- HS1000Mx** Mixer-Osc. 10-80 mtrs. Output sufficient to drive 150-200 watt linear. **108.00**
- Other modules, such as IF sections, linear amplifier, two meter VFO, mixer-oscillator (all solid state) are available.

KVG MINIATURE CRYSTAL FILTERS

KVG miniaturized high performance crystal filters with symmetrical attenuation characteristics for use in AM, CW and SSB transmitters and receivers. Circuit matching is simplified by the use of input and output transformers, which are an integral part of the filters.



Filter Type	XF-8A	XF-8B	XF-8C	XF-8D	XF-8M
Application	SSB Transm.	SSB	AM	AM	CW
Number of Filter Crystals	5	8	8	8	4
Bandwidth (5 dB down)	2.5 kHz	2.4 kHz	3.75 kHz	5.0 kHz	0.5 kHz
Passband Ripple	1 dB	2 dB	2 dB	2 dB	1 dB
Insertion Loss	3 dB	3.5 dB	3.5 dB	3.5 dB	5 dB
Input Impedance	500 ohms	500 ohms	500 ohms	500 ohms	500 ohms
Output Impedance	30 pF	30 pF	30 pF	30 pF	30 pF
Shape Factor	(6:50 dB) 1.7 (6:80 dB) 2.2	(6:60 dB) 1.8 (6:80 dB) 2.2	(6:60 dB) 1.8 (6:80 dB) 2.2	(6:60 dB) 1.8 (6:80 dB) 2.2	(6:60 dB) 2.5 (6:80 dB) 4.4
Stop Band Attenuation	45 dB	100 dB	100 dB	100 dB	90 dB
Price	\$19.95	\$27.50	\$29.50	\$29.50	\$20.95

Matching HC 25/U crystals: 8998.3 (JSSB), 8999.0 (BFO), 9000.0 (carrier), 9001.9 (LSB) \$2.50 each



VHF COMMUNICATIONS is an international, English language quarterly magazine for amateurs interested in VHF, UHF and microwave technology.

VHF COMMUNICATIONS devotes most of its sixty pages in each issue to practical construction articles. Featured are transmitters, receivers, converters, antennas, test equipment, etc. The designs reflect the latest advances in electronics, with emphasis on solid state and printed circuitry. Special components, such as p. c. boards, as well as complete kits are made readily available. **US \$3.00 per calendar yr. Single issues US \$1.00.**



TWO METER FET CONVERTER KIT

Contains all major components for the two-meter FET converter designed by DL6SW and described in VHF COMMUNICATIONS of February 1969. Inexpensive, simple to build and align, yet with excellent performance characteristics.

Included are: Five transistors (incl. 3 FET's), 38.7 MHz KVG crystal, five miniature coil forms, five miniature trimmers, one glass-epoxy, silverplated printed circuit board (component layout printed on the reverse side), one special p. c. board drill. IF Output 28-30 MHz (others upon request). Noise figure: 2.

Price \$12.95. With a new subscription to VHF COMMUNICATIONS \$11.95 (offer valid until August 31).

Other kits for 50, 220, 432 and 1296 MHz converters, receivers and transmitters will be available in the near future.

Semcoset of West Germany is a manufacturer of top-performance solid state VHF receivers, transceivers and printed circuit modules. The Semcoset line is now available in North America through Spectrum International. Featured are complete two-meter receivers, transceivers and portable transceivers in attractive, modern cabinets. Printed circuit modules include MOSFET two-meter converters with extremely low noise figures, AM transmitters of 4 to 15 Watts PEP output, VFO's for VHF, tuners, IF strips, audio units, SSB exciters, a solid state linear amplifier, a 100-500 MHz stripline reflectometer, etc. All units are entirely solid state. Extensive use is made of FET's, MOSFET's and Overlay RF power transistors. Semcoset catalogues will be available in August.

SPECTRUM INTERNATIONAL
BOX 87 TOPSFIELD
MASSACHUSETTS 01983

si

tone encoder and secondary frequency oscillator

While working on various RTTY and fm selective-call projects, the need for an accurate stable tone source became apparent. The device shown here is presently programmed for eight frequencies, provides a good sine-wave output and is quite stable over a wide range of temperature, voltage and loading. The oscillator has been duplicated by a number of amateurs and used as a digital selective-call encoder on many of the West

Coast repeaters. Its reliability and stability have been proven under all types of field conditions. Further, the unit can be easily modified to provide tone-burst operation.

It should be obvious that to obtain frequency accuracy closer than 1%, a frequency counter must be used. However, close to 1% accuracy can be expected for the frequencies listed with combinations of good quality Mylar capacitors.

For burst use, return the negative common to the push-to-talk line instead of ground; add a zener regulator for power or use a dry battery. Connect the two diodes and the RC network as shown in the box in **fig. 1**. For mobile operation, be sure **not** to ground or

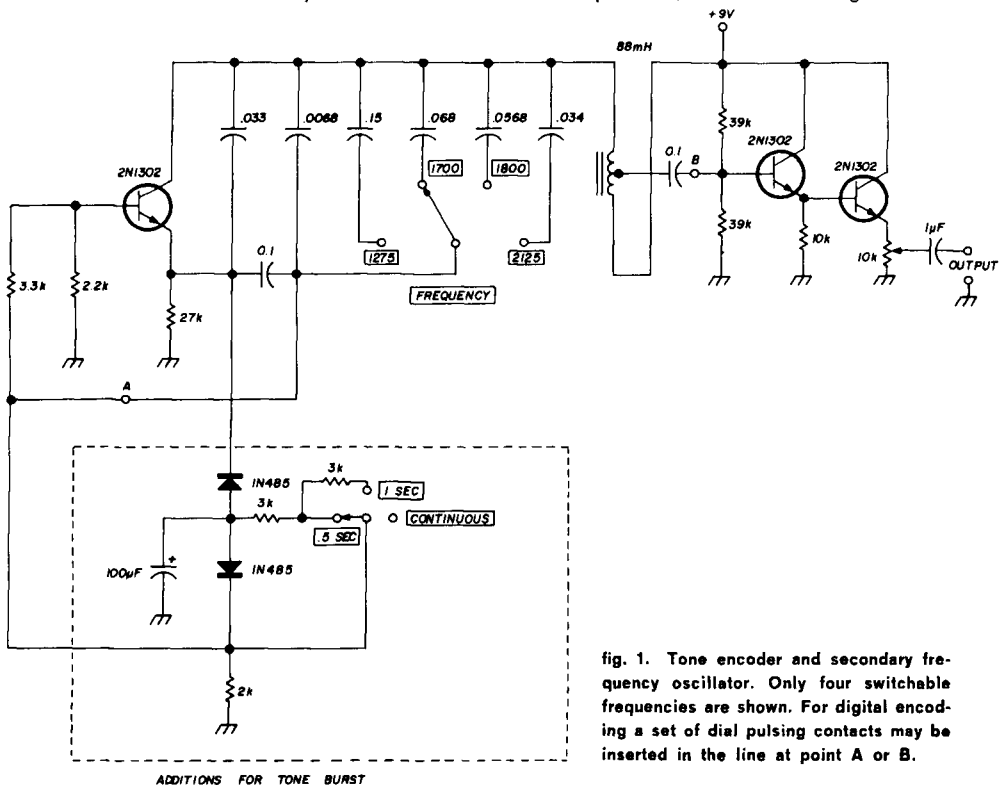


fig. 1. Tone encoder and secondary frequency oscillator. Only four switchable frequencies are shown. For digital encoding a set of dial pulsing contacts may be inserted in the line at point A or B.

table 1. Frequencies and tuning capacitors used in the tone encoder built by WB6YQC.

Channel	Design Frequency (Hz)	Measured Frequency (Hz)	Capacitance (μ F)	Use
1	1275	1271.5	0.150	RTTY space frequency*
2	1700	1699.6	0.068	RTTY mid-band*
3	1800	1803.0	0.0568	selective-call tone
4	2125	2125.8	0.0340	RTTY mark frequency*
5	2400	2401.4	0.0181	selective-call tone
6	2550	2551.4	0.0106	RTTY mid-band
7	2700	2704.1	0.0071	selective-call tone
8	2975	2973.3	0.0001	RTTY space frequency

*wide shift fsk/ssb transmitter.

common **anything** except through the audio return line to the transceiver.

Digital encoding can be easily obtained by inserting a set of dial pulsing contacts in series with the 3.3k oscillator base-bias resistor, or in series with the 0.1 μ F oscillator output coupling capacitor. The unloaded output voltage is in excess of 2 V rms above 1700 Hz. With a 100-ohm load, the output drops to 300 mV rms, still enough to provide full deviation in most fm rigs.

The frequencies I used are shown in **table 1** but other tones can be easily substituted for your particular requirements. Printed circuit boards for the basic oscillator circuit are available from the treasurer of the Grizzly Peak VHF Radio Club, Post Office Box 1333, Richmond, California 94802 for \$1.50 each. I would like to extend my thanks to WA6UFW who did the initial design work with the basic oscillator.

David M. Stahley, K8AUH

grounding

If you're plagued by excessive receiver noise, a hot microphone, or rf around the shack, better check your ground connection. If your house was built after about 1960, you may be lacking a simple metal-to-metal connection if you depend upon a cold water pipe for a ground. Most build-

ers have been using various forms of polyvinyl pipe to bring water in to a given location in the house where it is connected to standard metal fittings. The contractor saves a pile of money with this approach but you haven't got a ground; play it safe and use a good ground rod.

Elliott Kanter, W9KXJ

incremental tuning for the heath HW-100

The addition of incremental tuning to a ssb transceiver is an ideal and often needed refinement. It allows the receiver to be shifted a few kHz above or below the transmitting frequency. This helps when someone has trouble zero-beating your frequency or when you're in a roundtable where someone is inevitably off frequency. It can eliminate the embarrassing problem of tuning for the off-frequency station and then suddenly finding yourself equally off zero beat. It is especially handy where there may be a highpitched voice—you can tune for personal listening comfort without affecting your own transmit frequency.

In the receive position, with the incremental tuning switch on, varying the dc bias on the varicap diode causes the capacitance to change within the range of the incremental tuning control. With the transceiver in the tune position (or transmitting), the antenna changeover relay (through contacts 3, 7 and 11) disconnects the manual tuning voltage and inserts a calibrate voltage in its place. This sets the capacitance of the varicap at the center frequency position of the incremental tuning control. A shift of 2 kHz either side of center can be obtained with the values shown in the schematic.

The bias voltage is derived from the +150 V regulated supply. The voltage is dropped to +12 V and regulated by the 47k, 1-watt resistor and a 1N963B zener diode; this keeps the voltage steady on both transmit and receive. The photo shows how the components may be mounted in an already well packed area.

When it comes to antenna systems . . .

IS YOURS

- a space problem?
- a budget problem?
- an installation problem?
- an applications problem?
- or simply a problem of where to buy?

Your one-stop solution is
ANTENNAS, INC.

Exclusively specialists in radiating systems
Complete systems or any component part

Arrays — complete or in kit form, quads, yagis, dipole assemblies, verticals — fixed or mobile, towers, masts, rotors, guy and control cable, transmission line, coax relays and switches, connectors and adapters, test gear, technical publications, corrosion resistant hardware, corrosion proofing chemicals, insulators, installation and wiring hardware, aluminum tubing and plate, wire, and much, much more.

If your requirements are for a complete system, major components, or the smallest yet important piece of hardware — **ANTENNAS, INC.** has

AMPHENOL
ANTENNA SPECIALISTS
BELDEN
BILADA
BIRNBACH
CALCON WIRE
CDE ROTORS
COMDEL
CUBEX
CUSHCRAFT
DGP
DPZ
DOW-KEY
EZ-WAY
R. L. DRAKE
HAM-KITS
HY-GAIN
GENERAL ELECTRIC
GENTEC
GOLDLINE
GOTHAM

HI-PAR
E. F. JOHNSON
MILLEN
MINI-PRODUCTS
MOR-GAIN
MOSLEY
NEWTRONICS
OMEGA-T
POLYGON PLASTICS
POMONA
ROHN
SKYLANE
SWAN
TELREX
TIMES WIRE
TRI-EX
TRISTAO
UNADILLA
VESTO
WATERS

ANTENNAS, INC.

Can be your one-stop, single-source

Write today for our catalog —
no charge of course.

ANTENNAS, INC.

Dept. C, 512 McDonald Road
Leavenworth, Kansas 66048

The calibrate pot is mounted just to the side of the final tank cage in an existing 5/16-inch hole. (This hole will have to be enlarged to 3/8-inch to accommodate most pots.) Mount a 2-lug terminal strip (Cinch-Jones 52) on the underside of the chassis near the pot. A 47k, 1-watt resistor is placed between pin 1 of the OA2 (V18) to the closest tie point with the zener diode going from the same tie point to ground. The incremental tuning pot on the front panel is mounted to the right of the meter at the same height as the tuning controls to maintain a neat panel layout. You can get an extra knob from Heath to match the original equipment (part num-

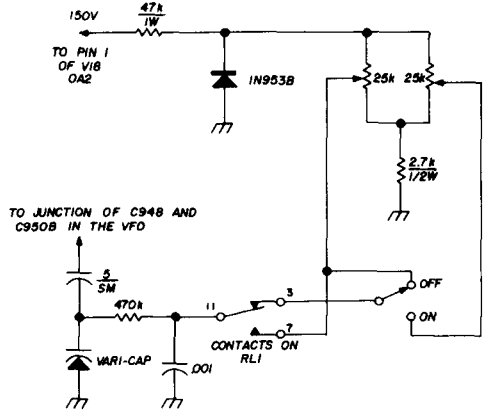


fig. 2. Receiver incremental tuning for the HW-100. The two 25k pots should have linear tapers.

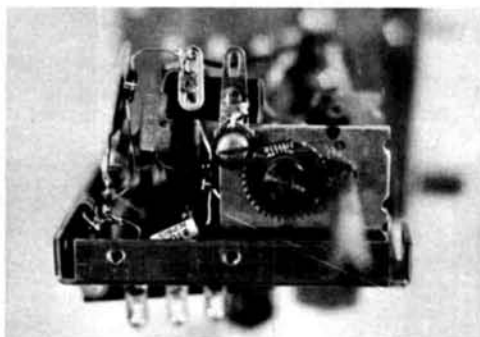
ber 462-191 \$.70). A sub-miniature spdt switch is mounted above the pot. Decal numbers may be added to indicate 1- and 2-kHz deviations from the center.

A five-conductor color coded cable can be made up to wire between the chassis and the front panel controls. This cable can be passed through an existing 1/4-inch hole in the i-f circuit board.

Mount a one-terminal Cinch-Jones 51A terminal strip to the left of the backlash gear on the vfo capacitor; straighten the ground lug. Mount the varicap from the ungrounded lug to ground and mount the 5-pF mica capacitor from the same un-

grounded lug to the junction of C948 and C950B.

Mount a two-terminal Cinch-Jones 52A terminal strip just in back of the vfo capacitor on the stud holding the vfo coil. Mount the 470k, 1/2-watt resistor between ungrounded terminals, by-passing one end of the resistor with a .001 disc ceramic to ground and connecting a wire between the other end of the resistor and the terminal strip mounted on the vfo. Leave enough slack in the rigid wire to clear the rotor. Connect a wire to the bypassed end of the 470k resistor and pass it through a hole in the top of the vfo chassis to a Cinch-Jones 53 terminal strip mounted on top.



Varicap installation.

To calibrate the two pots for the same receive and transmit frequency, set the front panel pot (number 1) to its center position. Set the number 2 pot (mounted near the final tank cage) to its approximate center. With the incremental tuning switch turned on, set the mode switch to CW and tune the vfo dial to zero beat the crystal calibrator. Put the incremental tuning switch in the off position and adjust the number-2 pot to zero beat without touching the vfo dial. With this calibration completed you should receive and transmit on the same frequency. Some minor correction in dial accuracy will have to be made to allow for slight added capacitance, but it is minor.

Bill McCracken, K1GUU

RCA has all-new FCC commercial license training

**Get your license—
or your money back!**

Now RCA Institutes Home Study Training has the FCC License preparation material you've been looking for—all-new, both the training you need, and the up-to-date methods you use at home—at your own speed—to train for the license you want!

2 Convenient Payment Plans—You can pay for lessons as you order them, or take advantage of easy monthly payment plan. Choose the FCC License you're interested in—third, second or first phone. Take the course for the license you choose. If you need basic material first, apply for the complete License Training Program.

SPECIAL TO AMATEURS. This course is primarily for Commercial License qualifications. But it does cover some of the technical material that will help you prepare for the new Advanced and Amateur Extra class tickets. Check out the information the coupon will bring you.

Mail coupon today for full details and a 64-page booklet telling you how RCA Institutes Home Training can show you the way to a new career—higher income—and your FCC License.

RCA



RCA INSTITUTES, INC.
Dept. HR-69
320 West 31st Street, New York, N.Y. 10001

Please rush me, without obligation, information on your all-new FCC Commercial License training.

Name _____

Address _____

City _____ State _____ Zip _____

NOISE BLANKER

FOR THE SWAN 250

The TNB-250 Noise Blanker effectively suppresses noise generated by auto ignitions, appliances, power lines, etc., permitting the recovery of weak DX and scatter signals normally lost in noise.

Features include modern solid state design techniques utilizing dual-gate MOS FET transistors and two stages of IF noise clipping for the efficient removal of impulse noise at the transceiver IF frequency. The use of MOS FETs and a special gain controlled amplifier circuit provide excellent cross-modulation characteristics in strong signal locations.



TNB-250 shown installed on a Swan 250 at accessory socket location.

Simplified installation requires twenty minutes.

TNB-250 **\$29.95 ppd.**
TNB-250C (for Swan 250C) **\$32.95 ppd.**

Model TNB Noise Blanker, designed to operate with VHF converters by connecting in the coax between converter and receiver.



Choice of 14-20, 100-140, or 125-160 VDC, RCA phono or BNC connectors. Specify for 10 or 20 meter converter output.

Model TNB **\$29.95 ppd.**
(For special frequencies add \$3.00)

Refer to the New Products column of the August '68 issue of Ham Radio Magazine for additional information on the TNB Noise Blanker or write for technical brochure.

Prepaid orders shipped postpaid. (For Air Mail add \$.80) C.O.D. orders accepted with \$5.00 deposit. California residents add sales tax.

All products are warranted for one year and offered on a satisfaction guaranteed or return basis.

WESTCOM
ENGINEERING COMPANY

P. O. Box 1504 San Diego, Cal. 92112

new
products

two-meter fm transceiver

Two-meter fm is becoming very popular in many areas, and new two-meter fm repeaters are popping up all over the country. A new entry in the fm transceiver market is the FDFM-2S manufactured by the Inoue Communications Equipment Corporation. The FDFM-2S is completely solid state and built around modular computer techniques so it's rugged and has good interstage shielding. The unit features three sets of transmit/receive frequencies that are selectable from the front panel; power supply is 12 to 24.5 Vdc so it's a natural for mobile operation.

The receiver is dual conversion with a fet rf amplifier and adjustable squelch; sensitivity is less than 1 μ V for 20 dB signal-plus-noise-to-noise ratio, and spurious responses are 60 dB down. The transmitter section runs 10 watts input (5 watts out), has frequency deviation less than 25 kHz and built-in push-to-talk. The FDFM-2S comes complete with microphone, battery pack, six crystals of your choice, mobile mounting bracket, power connectors and manual; \$295.95. Also available are the 2-watt FDFM-2 two-meter fm transceiver and 2-watt FDAM-3 six-meter a-m/fm transceiver with vfo. For more information write to Varitronics Incorporated, 4109 North 39th Street, Phoenix, Arizona 85018.

new galaxy transceiver



Galaxy Electronics has announced a completely new transceiver, the GT-550, and a complete line of matching accessories. The GT-550 is a five-band ssb and CW transceiver that features 550 watts input on ssb (360 watts input on CW). Optional accessories include an ac power supply, mobile power supply, phone patch, cw filter, vox, crystal calibrator and mobile mounting bracket. The new Galaxy line of matching equipment includes the LA linear amplifier, rf console, remote vfo and speaker console. Price of the basic GT-550 transceiver is \$449. For an illustrated brochure with full specifications on the complete Galaxy line, write to Galaxy Electronics, 10 South 34th Street, Council Bluffs, Iowa 51501.

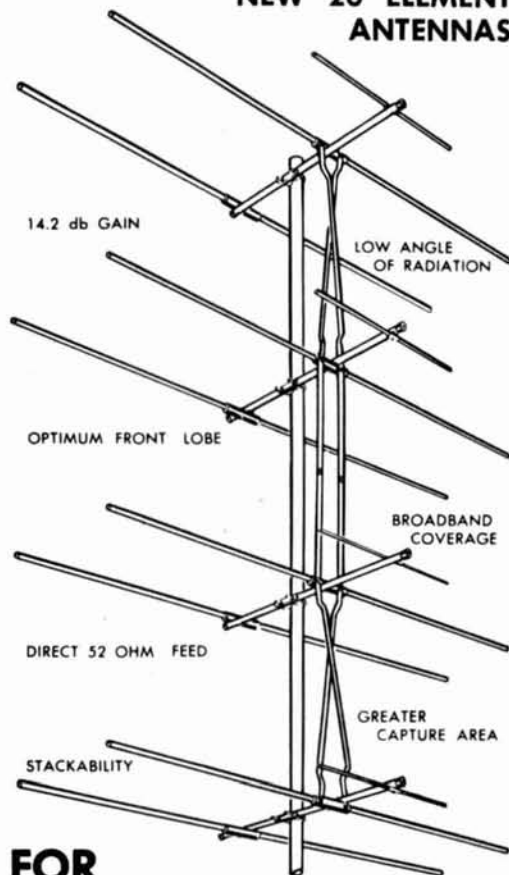
new arrl handbook really revised

If you're one of the thousands who found out about the 1968 ARRL Handbook too late (It was sold out by August; they usually expect to have copies left in February), you'll be happy to hear that the 1969 edition is now available. Last year's **Radio Amateur's Handbook** was extensively revised by Doug DeMaw, W1CER, to incorporate modern solid-state circuits and practices. Its success proves both the need for revision and its satisfaction. The new 1969 edition is even better. Apparently, as is necessary in such a comprehensive work, the theory is being revised a few chapters at a time, while practical construction projects are changed more easily.

The big news is that in addition to the excellent basic chapter on semiconductors, other chapters incorporate semiconductor

DX-ARRAY

NEW 20 ELEMENT ANTENNAS



FOR

144 mhz 220 mhz 432 mhz

A breakthrough in VHF/UHF Amateur antennas! The new Cush Craft DX-Arrays combine the best yagi and colinear features into the World's most advanced amateur communication antennas.

Realizing that the antenna is the most important part of your station, Cush Craft engineers have devoted two years of intensive development and testing to perfect DX-Array. DX-Arrays have already established new records in Dx-ing and moon-bounce programs.

Whatever your interest may be, ragchewing, contests, DX, or moonbounce, get in on the excitement of VHF hamming today with DX-Array.

DX-120 — 144 mhz \$29.50

DX-220 — 220 mhz 22.50

DX-420 — 432 mhz 17.50

See your local distributor or write for complete specifications on these exciting new antennas from the world's leading manufacturer of UHF/VHF Communication Antennas.



FREE!
ONE YEAR
OF
ham
radio

A one year subscription is \$6.00. Take a three year subscription for \$12.00 and you get the last year for nothing.

Yes, I'd like the free year. Enclosed is \$12.00. Send 3 years of HAM RADIO.



HAM RADIO MAGAZINE
GREENVILLE, N. H. 03048

Name Call

Address

City Zip

circuits (along with vacuum-tube circuits). The receiving chapter includes bipolar, fet and IC detectors, mixers, oscillators, rf and i-f amplifiers, Q multipliers and other circuits. Specific construction projects are included. The transmitting chapter has not been revised as extensively—yet—but a number of practical transistor transmitters and vfo's will interest you. The audio section now includes many solid-state circuits, and the code chapter an IC keyer.

The chapter on power supplies incorporates the information required to design reliable high-voltage power supplies with silicon diodes, and a number of low-voltage supplies are included for transistor gear. The vhf receiving chapter is outstanding. It reflects the latest amateur practice: fet's, bipolar transistors, even IC's. There's not a project using vacuum tubes in it! The simple 6- and 2-meter converters are excellent successors to the nuvistor converters that were the mainstays of vhf hams for many years, and the preamp for 23 cm should satisfy the real experimenter.

The vhf-transmitting chapter includes a clean-looking practical varactor tripler for 70 cm, and, it should be noted, efficient vacuum tube amplifiers for 70 and 23 cm. (I don't know of any transistors good for 500 W at 432 MHz!)

The section on portable and mobile gear is full of simple solid-state gear that should interest any ham: transceivers for 6 and 2, and a transmitter and converter for 160 m. Other chapters also include semiconductor gear. This discussion of the solid-state content of the handbook is simply intended to emphasize the extensive revisions Doug has made to incorporate modern practice.

The book also covers much other new material, plus the invaluable data that has always made the ARRL handbook a necessity in every ham shack. Now, moreover, it appears that a new handbook every three or four years isn't enough. The 1969 edition is a new book; even if you have a '68 copy, you'll want it. \$4 from the American Radio Relay League, 225 Main Street, Newington, Connecticut 06111, or try your local distributor.



THE **ICE-1** 2 METER FM TRANSCEIVER

FULLY SOLID STATE - NO TUBES

- Operates on 117 VAC — 12 VDC — or optional internal NI-CAD battery
- Self-contained 3" X 5" speaker
- Military type fiberglass printed circuit boards
- Epoxy painted cabinet
- Regulated power supply — cannot be damaged by reverse polarity
- May be ordered for either wide or narrow band operation at no extra charge (wide band supplied unless specified)
- Small size: 8" w X 3 1/2" h X 9 1/2" d
- Light weight — Less than 4 1/2 lbs.
- Built in 117 VAC power supply
- Simply plug in proper power cable to charge from 117 VAC to 12 VDC operation
- Transmitter and receiver channels individually switchable
- 3 channels transmit — 3 channels receive
- Push-to-talk operation
- Transmitter output — 4 watts minimum

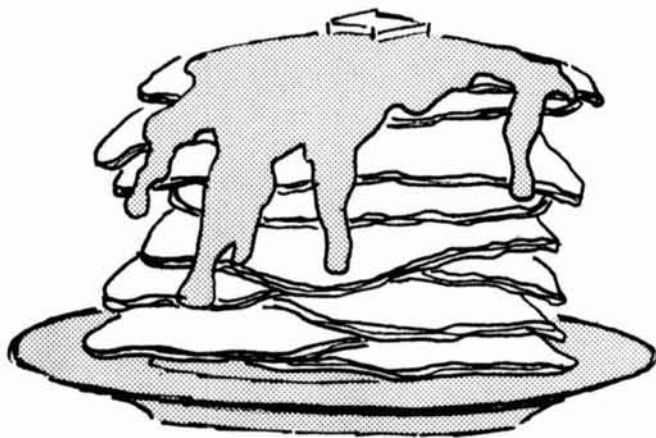
⚡	<p>COMPLETE WITH ONE SET OF CRYSTALS ON 146.94, 117 VAC AND 12 VDC POWER CABLES, LESS MICROPHONE AND ANTENNA \$285.00 MICROPHONE 16.00 EXTRA CRYSTALS (TRANSMIT OR RECEIVE) 7.00 BUILT IN NI-CAD BATTERY AND CHARGER 47.00</p>	⚡
---	--	---

ICE

MANUFACTURED IN U.S.A. BY

INTERNATIONAL COMMUNICATIONS AND ELECTRONICS, Inc.
 8507 SPEEDWAY, SAN ANTONIO, TEXAS 78230, 512-341-1311

FOR HAM DEALERS ONLY!



Hot cakes? No . . . but that's what they're selling like! The 10 watt FDFM-2S is the hottest 2 meter FM Transceiver on the market . . . want to help us serve them up? Distributorships now open.



P.S. If you're not a dealer you'll be glad to know the FDFM-2S will soon be available at your local ham store.

Inoue Communications Equipment Corporation

VARITRONICS INCORPORATED

3835 N. 32nd Street, Suite 6, Phoenix, Arizona 85018

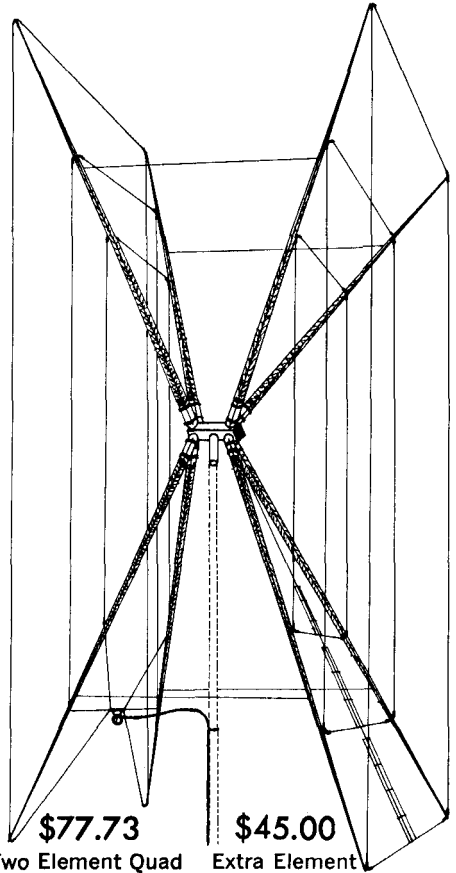
FIBRE-GLASS

GEM-QUAD

FOR 10, 15, AND 20 METERS

Never before has one antenna offered so much

- The GEM QUAD is a two, three, or four element antenna designed to operate on ten, fifteen, and twenty meters.
- Forward gain for two element GEM QUAD gives maximum gain on DX, "where it counts."
- Optional third element (easily installed) has given optimum forward gain with a narrow forward cone of effectiveness, resulting in excellent rejection of unwanted signals.
- Front to back ratio designed for maximum signal discrimination.
- Toroid balun kit supplied for single feed line matching.
- Mounting spider of durable heavy duty aluminum alloy. 1½ inch o.d. stub facilitates easy mast mounting.
- Hollow spider allows insertion of boom for additional element.
- Fibreglass arms withstand 100 m.p.h. winds with minimum loading on tower (2.5 sq. ft. wind load area).
- Tridetic arm design (air passes through the arm). Low wind resistance eliminates need for excessive guy wires.



Includes U.S. Customs Import Duty — Shipped Collect

- Simple assembly and tuning instructions are supplied with every kit, showing measurements and assembly procedure. When assembled as instructed, tuning only takes a matter of minutes.
- Maintains rigid form continuously. Double "Cone-shaped" design maintains critical measurements under severe weather conditions. Completely weather resistant — will not freeze or crack.
- Light weight (complete antenna weighs 20 lbs., 3rd element 10 lbs.). Simple TV rotator will rotate antenna.
- Single 52 ohm feed-line for all bands. SWR of 1 to 1 easily obtained using ferrite Toroid Balun provided, (produces minimum harmonic radiation). Will handle maximum power input.



Canadian Patent No. 794506
U. S. Patent Pending



Structural Glass

LIMITED

20 Burnett Ave., Winnipeg, Manitoba, Canada

1969

A.R.R.L.

NATIONAL CONVENTION

JUNE 20-21-22 1969

Fort Des Moines Hotel
10th & Walnut, Des Moines, Iowa 50309

MIDWEST'S GREATEST AMATEUR
RADIO ATTRACTION

PROGRAMS FOR EVERYONE
DX-FM-UHF-AM-MARS-VHF
ARRL-XYL-Eye Bank
Manufacturers
Space

COMPLETE WOMENS PROGRAM
Fashion Shows
Entertainment
Luncheons
Tours

FCC Exams and Forum—Chief of NASA Communications—NASCOM—CW Contest
Special Entertainment Friday and Saturday Nights

SUNDAY BANQUET—speaker . . . Senator Barry Goldwater K7UGA

A trip to HAWAII for two
30L-1 plus many other gifts
for registrants

ATTENDANCE BY REGISTRATION ONLY

REGISTRATION \$6.00 — ENTERTAINMENT \$6.00 — BANQUET \$6.00

PRE-REGISTRATION PACKAGE

\$15.00 PER PERSON

PRIOR TO JUNE 10, 1969

CONVENTION '69

BOX 1051

DES MOINES, IOWA 50311



CONTACT HOTEL FORT DES MOINES FOR ROOM RESERVATIONS

CLIP AND RETURN FOR

pre-registration

PRIOR TO JUNE 10, 1969

Name _____ Call _____

Wife's Name _____ Call _____

Address _____ City _____ zip _____

REGISTRATION \$6.00 — ENTERTAINMENT \$6.00 — BANQUET \$6.00

PRE-REGISTRATION PACKAGE \$15.00 PER PERSON

ATTENDANCE BY REGISTRATION ONLY

Convention '69

make check payable and mail to:

BOX 1051

DES MOINES, IOWA 50311



NCL-2000
2000 Watt PEP Linear

 **NATIONAL RADIO COMPANY, INC.**
NRCI

and

stellar industries
DIV. OF STELLAR I, Inc.

Team up to give you
A Top Performance Package



NCX-500
5 Band - 500 Watt Transceiver

See GLEN FADDEN, W2CXX
or a member of his staff at



stellar industries
DIV. OF STELLAR I, Inc.
SALES AND SERVICE

10 GRAHAM ROAD WEST, ITHACA, N. Y. 14850 • TELEPHONE 607-273-9333

Your Central New York headquarters for new and used ham gear

HOURS: 9:00 A.M. to 5:30 P.M. Monday through Friday 9:00 A.M. to 5:00 P. M. Saturday

FM...

THE
MONTHLY

specialty magazine

FM

VOLUME 10, NUMBER 4

IN
THIS ISSUE

2005 SENTRY
50-CENT CHARGES
TWO-TONE DESIGN
5 1/2" REVIEWS



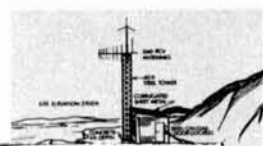
that

made it.
-BIG.

HAM REPEATER SITES ...

HOW THE U.S. GOVERNMENT CAN HELP

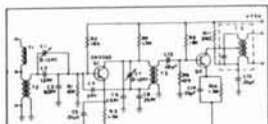
It would be a pity
to ignore the
many advantages
of using repeater
sites for ham
radio.



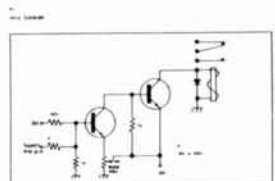
TOUCHTONE

How to use it for FM control

The purpose of this article is to provide
a basic understanding of Touchtone
control for use in repeater applications.
It covers the possibilities of using the
Touchtone system for repeater control
and the advantages of using the Touchtone
system for repeater control.



The SOLID-STATE Carrier-Operated Relay



Providing the solid-state carrier-operated
relay is a basic requirement of a
repeater. The use of a solid-state
carrier-operated relay offers many
advantages over the mechanical relay.
The solid-state carrier-operated relay
is a basic requirement of a repeater.
The use of a solid-state carrier-operated
relay offers many advantages over the
mechanical relay.

- _____ Enclosed — \$ 5.00 for 12 Issues
- _____ Enclosed — \$ 9.00 for 24 Issues
- _____ Enclosed — \$14.00 for 36 Issues plus Sentry Crystal Offer
- _____ Bill Me — \$ 9.00 for 24 Issues
- _____ Bill Me — \$14.00 for 36 Issues plus Sentry Crystal Offer

NEW _____ RENEWAL _____



Name _____

Company _____

Address _____

City _____ State _____ Zip _____

FM: 2005 Hollywood Street
GROSSE POINTE, MI 48236



a
complete
amateur radio station
in one
portable package

SWAN *Cygnet*

A 5 BAND 260 WATT SSB TRANSCEIVER
WITH BUILT-IN AC AND DC
SUPPLY AND LOUDSPEAKER

**Only
\$395**

USED GEAR

B & W	
5100 Xmtr. (Vry Gud)	\$ 99.95
CLEGG	
99'er 6mtr. Xcvr.	\$ 75.00
22'er 2mtr. Xcvr.	\$165.00
COLLINS	
KWM-2 & 516F-2 #13,000's	\$825.00
KWM-2 & 516F-2 #696, all latest mods by factory	\$725.00
CENTRAL ELEC.	
Model A Slicer, SSB	\$ 17.50
Model 20A	\$ 75.00
EICO	
753 & 751 AC/PS	\$140.00
753 & HB/AC/PS	\$120.00
ELMAC	
AF-68 & M1070 PS	\$ 75.00
AF-67 (No Power)	\$ 20.00
HALLICRAFTERS	
PS150 AC/PS	\$ 60.00
HT-37 Xmtr.	\$180.00
HT-44 & PS 150 AC/PS	\$195.00
SX-101 Mk3	\$149.95
SX-111 (Vry Gud)	\$169.95

JOHNSON	
Challenger	\$ 49.95
Navigator	\$ 70.00
Ranger 2 (EXC.)	\$149.95
Five-Hundred (EXC.)	\$275.00
Thunderbolt Linear Amp. (80 thru 10)	\$249.95

GALAXY	
Galaxy V Mk3, with AC-400 and Spkr. Console (Less than six months old)	\$395.00
Deluxe Accessory Console	\$ 75.00
RX-2 Remote VFO	\$ 49.50
Duo-Bander 84 (NEW)	\$139.95

SWAN	
Model 250 6mtr SSB	\$249.95
Model 350-80 thru 10	\$265.00
Model 350 (Late)	\$325.00
Model 350 & 117Xc	\$350.00
SW-175	\$ 65.00

All gear listed F.O.B. Oklahoma City and
subject to prior sale. Guaranteed 90 days.

Bob's **AMATEUR**
ELECTRONICS

Phone CE 5-6387

"THE COMPLETE HAM STORE"

927 N.W. 1st Oklahoma City, Oklahoma 73106

"WE TAKE TRADE-INS ON ALL LINES OF NEW EQUIPMENT"
TWO-WAY RADIOS - SALES • SERVICE • INSTALLATIONS

LOOK TO THE

DRAKE 4 LINE

FOR OUTSTANDING PERFORMANCE

TRY THE TR-4 SIDEBAND TRANSCEIVER



- 300 watts PEP
- Full amateur frequency coverage
10-80 meter
- Solid state VFO
- CW Sidetone Oscillator

OR

THE T-4XB TRANSMITTER AND
THE R-4B RECEIVER COMBINATION



Both packages designed for transceive operation. Use either VFO for transceive or separate transmitter/receiver control selected from switch on front panel. Both VFO's permeability tuned with better than 1 Kc readout. Provides SSB, CW and AM operation plus easy conversion to RTTY.

Look to ARI for the outstanding Drake 4 line.

A. R. I. **AMATEUR RADIO INC.** *A. R. I.*
TWO GREAT STORES TO SERVE YOU

L. A. Amateur Radio Inc.
2302 B ARTESIA
REDONDO BEACH, CALIF. 90278
213-376-4455

Evansville Amateur Radio Inc.
1311 N. FULTON AVENUE
EVANSVILLE, INDIANA
812-422-4551

flea market



■ **RATES** Commercial Ads 25¢ per word; non-commercial ads 10¢ per word payable in advance. No cash discounts or agency commissions allowed.

■ **COPY** No special layout or arrangements available. Material should be typewritten or clearly printed and must include full name and address. We reserve the right to reject unsuitable copy. **Ham Radio** can not check out each advertiser and thus cannot be held responsible for claims made. Liability for correctness of material limited to corrected ad in next available issue. Deadline is 15th of second preceeding month.

■ **SEND MATERIAL TO:** Flea Market, Ham Radio, Greenville, N. H. 03048.

ORIGINAL EZ-IN DOUBLE HOLDERS display 20 cards in plastic, 3 for \$1.00, 10 for \$3.00 prepaid. Guaranteed. Patented. Free sample to dealers. Tepabco, John K4NMT, Box 198R, Gallatin, Tennessee 37066.
TEST EQUIPMENT WANTED: Any equipment made by

Hewlett-Packard, Tektronix, General Radio, Stoddart, Measurements, Boonton. Also military types with URM(-), USM(-), TS(-), SG(-) and similar nomenclatures. Waveguide and coaxial components also needed. Please send accurate description of what you have to sell and its condition to Tucker Electronics Company, Box 1050, Garland, TX 75040.

MAKE MONEY! Sell subscriptions to Ham Radio. Send for complete information. Ham Radio, Greenville, N. H. 03048.

BRASS SHEET, new, 0.051" thickness. Perfect for VHF chassis. Any size 6 cents per square inch. John Reddick, K6RBB, 2529 W. Alpine, Stockton, Ca. 95204.

OUTSTANDING COMMERCIAL OPPORTUNITY for licensed ham. NCRI has home office opening for assistant equipment sales manager. Good salary, benefits. Call or see resume to National Radio Co., Inc., 37 Washington Melrose, Mass. attn: T. Clark. 617-662-7700.

TOROIDS: 44&88mhy., center-tapped, not potted, 5/\$2.00 POSTPAID. Model 32KSR complete page printer, excellent operating condition \$325. Model 15 page printers \$85. Motorola 55 amp alternator complete, brand-new \$60. Hallicrafters CSM-20 30watt hi-band mobile, like new \$5. Hallicrafters SX101A receiver \$160. Dow-Key relay \$10. 11/16" reperforator tape \$3/box/10. Page printer paper \$5.50/case/12. WANTED: Back covers for rf unit of measurements Model 80 signal generator. PTO for Collins 51J3 (#70E15), RTTY and FM gear. Stamp for list. Van W2DLT, 302H Passaic Avenue, Stirling, N. J. 07980.

73 MAGAZINE — COMPLETE COLLECTION. 1st year bound volume, rest single issues. No splitting. Complete set \$99.00. K1PSR, Box 132, Amherst, NH 03031.

CQ de W2KUW. Buying all tubes and equipments. Ted Dames Company, 308 Hickory Street, Arlington, New Jersey 07032.

SAVE OVER 50%. 36 copies of Ham Radio cost \$27.00 at your newsstand, but only \$12.00 with a three year subscription.

GREENE — DIPOLE CENTER INSULATOR. Write, Greene, Box 423, Wakefield, R. I. 02880.

FOR SALE: HT-41, \$170.00; SX-99 and Matching Speaker, \$60.00; Globe Scout (680) \$30.00; Heath QF-1, Q-Mult., \$7.00; RME Preselector, DB 23, \$25.00; DX-20, \$20.00; Globe 755 VFO, \$15.00; Globe King 500A, \$185.00 with spare final tubes; Johnson Valiant 1, \$85.00; Globe D.S.B. 100, \$40.00; Drake Phone Patch, \$25.00; Heathkit Phone Patch, \$25.00; SX-71, \$90.00; NC-98, \$65.00; 250 Watt Inverter, \$25.00; KW M1-with noise blanker, \$275.00; Globe Champ 300A, \$40.00 (as is); Gonset GSB-6 910B and DC supply, \$275.00; AX 9909 Tube (new), Amprex (6083) \$20.00. **You pay shipping. Wanted to buy:** Gonset VFO for 2 and 6 meters; Gonset 100 watt 6 meter VHF Linear; 826 tubes. Tom Dittrich WB2LZD, 249 Meadow Lane, Vestral, New York 13850.

NEED HELP? For assistance with FM problems, particularly with Motorola equipment, contact Neil McKie, WAGKLA, 5005 W. 21st Street, Los Angeles, California 90016.

NEW PRODUCTS NEEDED. O.K. you DXers, Traffic Men, Contesters, Award Hunters, etc. here is your chance to have your ideas for log sheets, contest operating aids, traffic logs, QSO cross indexes or other printed forms of value to a typical amateur station put into actuality. Send us your best ideas. For each idea used we will send a free supply of this form postpaid to you. No QSL's please! Hunter Press, Radio Division, Milford, N. H. 03055.

QSO WITH VERMONT ON 432 MHZ. The East Coast VHF Society will operate station WA2WEB/1 on 432 MHZ from Mt. Equinox, Vermont on June 21 and 22, 1969. The express purpose of the expedition is to provide amateurs on the East Coast of the United States with the opportunity of contacting the State of Vermont on 432 MHZ. The station will be on the air for approximately 24 hours for scheduled and non-scheduled contacts and will have a 1 KW CW/FM transmitter at 3816 feet above sea level. Schedules are requested from interested amateurs. Write: East Coast VHF Society, P. O. Box 1263, Paterson, N. J. 07509. All correspondence and schedules will be confirmed prior to expedition.

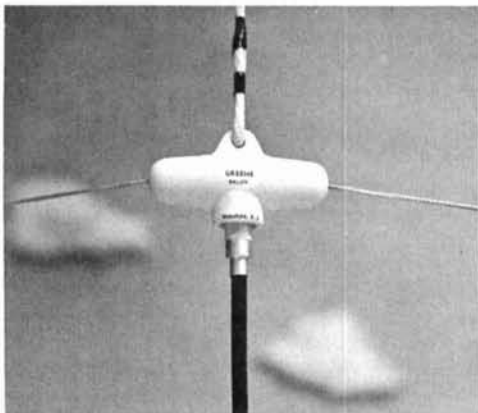
DEALERS. Do you carry R.S.G.B. publications. They are real best sellers. Interesting and well priced. For complete information write Comtec, Box 592, Amherst, N. H. 03031.

TOROIDS 44 and 88 mhy. Unpotted. 5 for \$1.50 ppd. M. Weinschenker, Box 353, Irwin, Pa. 15642.

MAGAZINES. QST since March 1944. CQ since 1947. Sold as individual copies. What issues do you need? Write K1PSR, Box 132, Amherst, NH 03031.

SPACE PROBLEMS SOLVED with Joystick Variable Frequency Antennas. With Tuners for 10 thru 160 Meters. Under \$45. Brochure. Shortwave Guide, 218-H Gifford, Syracuse, N. Y. 13202.

SELLING OUT COMPLETE STATION. Many goodies. Transmitters, Receivers, Transceivers, Power Supplies, Modulators, Converters, Test Equipment, Antennas, Rotors, Relay Racks, Transformers, Inductors, Capacitors, Tubes. This is a very complete collection of equipment. Includes 3.3 Mcs RTTY transmitter, 600 watt 50 Mcs AM rig, 300 watt 14.4 Mcs CW or AM, 200 watt amplifier for 220 Mcs, SX-99 & HQ-129X receivers, BC-221AH & TS-323/UR frequency meters and much, much more. Don't miss out on this one — send S.A.S.E. for very complete list. K1PSR, Box 132, Amherst, NH 03031. 603-673-2613.



GREENE — Center insulator assembly, absolutely water tight, for inverted V . . . dipoles . . . yagis . . . quads. The 52 ohm impedance point in a quarter wave line, feeding an extended double zepp or two half waves in phase. With . . . or . . . without built-in balun, one to one ratio, unbalanced feed line to balanced feed . . . 52 ohms impedance, rated at full legal limit input of 1 KW continuous operation. Broad banded, 3 - 30 Mc.

SPECIFICATIONS

HOUSING: — High impact, high dielectric strength moulded plastics material, gloss finish, beads water.

HOIST RING: — Tensile strength 360 pounds continuous pull.

CORROSION PROOF: — No nuts . . . no bolts . . . no rivets.

TYPE 83-875: — Coaxial connector . . . sealed in plastic and protected by a rain drip plastic boot.

ANTENNA CONNECTORS: — Flexible pigtailed, one quarter inch copper, tinned braid, sealed in plastic, tensile strength 500 pounds.

Color . . . white . . . length 4.75 inches
diameter 1.60 inches

GWB with balun \$10.00

GNB no balun \$6.00

Post paid cont. U.S.A.

Design Registered

O. WATSON GREENE

Wakefield, R. I. 02880

Tel. (401) 783-2702

HANDICAPPERS INFORMATION NET. Mondays, Wednesdays and Fridays from 2000 to 2100 GMT on 7270 KHz. Primarily a net for handicapped, but all amateurs are invited. Goals are to aid handicapped persons in daily problems, to help handicapped amateurs advance their class of license, and to interest and assist other handicapped people in obtaining an amateur license. We need the help of many amateurs. For further information, check into the net or contact: Kathleen Wilson, WA5QQR, Net Manager.

QSL'S — BROWNIE W3CJ1 — 3111-B Lehigh, Allentown, Pa. 18103. Samples 10¢. Cut catalogue 25¢.

FOR SALE: KWM-2 with 516-F2 Power Supply, PM-2 SS AC Supply, CC-1 Carrying Case and Mosley TT-31 portable Antenna \$700.00. Hammarlund HX-500 SSB, FSK, CW Transmitter \$280.00. Hallicrafters SR-34 6 and 2 meter portable AC/12 Volt DC Transceiver \$250.00. BC 221 \$35.00 complete with wood case and canvas cover. All very clean and in excellent operating order. A. S. Johnson, WIUVG, 20 Woodside Road, Newtonville, Mass. 02160.

FOR SALE: HT-37 100 watts, HT-41 1000 watts both \$375.00 and Heath SB 300 rcvr. \$175.00. M. Rexsen, W2FEI, 493 Oxford Rd., Cedarhurst, N. Y. 11516, tel. 516 295-5411.

THE AUGUSTA (MAINE) AMATEUR RADIO CLUB will hold their 10th Annual Hamfest at the Calumet Club in Augusta, Maine on Route 104 on 15 June, preceded with an open house and get together on Saturday evening the 14th at the same location. Pre-registration adults \$4.25, Children under 12 \$3.25. At the door \$5.00.

THE SIXTH ANNUAL PENN-CENTRAL HAMFEST by the West Branch and Milton groups will be held Sunday, June 8, starting 12:00 noon, at the Union Township Volunteer Firemen Grounds, on Route 15, Winfield, Pa. Informal, picnic style, no speeches, no banquet, snack bar handy or bring your own lunch, come and go as you please. Auction, contests, swapping, gabfest. Free parking, both indoor and outdoor facilities provided. Harmonics and XYL's invited too. \$2.00 registration at the gate, XYL and children free. Exhibits welcome. For information contact: Milo H. Frey, K3MSG, Quarry Road, Muncy, Pa. 17756.

THE PALMETTO AMATEUR RADIO CLUB announces its Second Annual Hamfest to be held indoors at the State Fair Grounds, Columbia, South Carolina, on June 1, 1969. A Dutch supper is in the planning for the night before. The Hamfest will feature prizes, swapping, a transmitter building contest, home brew contest, antique radio display, FM and MARS Forums, and bingo for the XYLs. More information may be obtained from C. W. Moorer, K4FNT, 227 Castle Drive, West Columbia, South Carolina 29169.

MANUALS — TS-323/UR, TS-173/UR, TS-186D/UP, BC-638A, R-274/FRR, \$5.00 each. Many others. SASE brings reply. Sam Consalvo, 4905 Roanne Drive, Washington, DC 20021.

HAVE KNIGHT T150 TRANSMITTER for sale. Also Lafayette receiver KT-320. R. B. Grubb, 40 Woodland Avenue, New Cumberland, Pa. 17070.

39th — ARRL WEST GULF Division Convention August 15, 16 & 17, Amarillo, Texas. For an ideal summertime weekend of ideas, fellowship, entertainment, fun (and maybe good luck) you can't miss at \$10.50 for registration. W5WX Panhandle Amateur Radio Club, Box 5453, Amarillo, Texas 79107.

CUSTOM QSL CARDS. Send for free samples. Enclose 10¢ for postage/handling. RO-HO Enterprises, 2817C 190th Street, Redondo Beach, California 90278.

KWM-1, 516-F2 AC supply noise blanker. Looks and works like a new piece of gear, \$350.00. RME 126 tunable converter, \$125.00. Seneca UHF 1, 2 and 6 meter transmitter, \$125.00. Manuals for all included. Peter Unchur W2URM, RFD 5, Amsterdam, NY 12010.

WRL'S USED GEAR has trial-terms-guarantee! KWM1 — \$299.95; Swan 240 — \$179.95; TR3 — \$399.95; SB34 — \$319.95; Galaxy V — \$229.95; Galaxy VmK2 — \$279.95; HX50 — \$199.95; Invader 200 — \$249.95; Galaxy 2000 plus linear \$329.95; Ameco R5 — \$59.95; HR20 — \$79.95. Hundreds more. Free "blue-book". WRL, Box 919, Council Bluffs, Iowa 51501.

SOMERSET COUNTY HAMFEST — June 8, Casebeer Church, Grove, Route 219, 7 miles north of Somerset, Pa. (9 a.m.-5 p.m.) Write Theodore J. Leonberger, K3RCI, Rd. 2, Rockwood, Pa. 15557.

DRAKE T4X-B/R4B. Mint condition. Factory cartons and manuals, \$650.00. H. Woerner, 2256 Mission Lane, Bellbrook, Ohio 45305.

LANCASTER HAMFEST — sponsored by Lancaster & Fairfield County ARC at Derby Downs, one mile south of Lancaster, Ohio, on BIS Road, Route 793, June 8th. Gigantic Swap Shop. \$1.00 registration with gifts every half hour. Main gift drawing. Good food at reasonable prices. Write P. O. Box 3, Lancaster, Ohio 43130.

7500 PIV DIODES 500MA Mfgs. spec sheet included. \$4.95 Postpaid. Registered check or M.O. K1AGB, 92 Grove, Plainville, Mass. 02762.

FOR SALE: 75S3-C #11877, \$595. 75S3-B #16895, \$475. 75S3-B #15066, 0.5 & 2.1 kcs, \$550. 75S3 #10679, \$400. KWM-2 #12566, (latest series), 516F-2, \$850. 32S-1 #11023, 516F-2, \$450. 312B-4, cables, \$135. KWM-1, 516F-1, \$250. Noise Blanker (75S-1), \$50. Noise Blanker (KWM-2), \$75. 351D-2 mount, \$75. SR-400. HA-20. P-500-AC. P-500-DC. MR-500, all new, \$895. HT-32-A, \$275. HT-32-B, \$375. 4CX1-1000-A, (new), \$100. Eldico SSB-1000-F, spare (new) 4CX-300's, \$250. Henry 2K-2 (spare 3-400-Z, \$575. Amplifier (4-1000-A) with Heath KS-1 p. s., \$200. James W. Craig, W1FBG, 29 Sherburne Avenue, Portsmouth, N. H. 03801. Phone: 603-436-9062.

ELECTRONIC INVENTORS! Your inventions professionally prepared for the patent office. Send name and address for sealed information. DRC, 215-28 Spencer Ave., Queens Village, N. Y. 11427.

BERMUDA AMATEUR RADIO CONTEST — Sponsored by the Radio Society of Bermuda. Phone: 0001 GMT June 22nd to 0200 GMT June 23rd. C.W. 0001 GMT July 20th to 0200 GMT July 21st. Following amateur bands: 3.5, 7, 14, 21 & 28MHz. Single operator stations only. U. S. and Canadian stations will give RS or RST report. VP9 stations will give RS or RST report plus Parish. (A station in Hamilton Parish would give 59 Hamilton or 599 Ham.) Any number of transmitters and receivers will be allowed and competitors may use the maximum power permitted. Awards: A free ticket to Bermuda and return plus one week at the Carlton Beach Hotel for the winner and a friend of his or her choice. (Note: There will be two winners, one for each section.) For complete details write Box 73, Devonshire, Bermuda.

FOR SALE: UTC, LS-185 Plate Transformer. Multi-tapped 110/220 primary. Tapped secondary for DC voltages. 3.5 KV to 1 KV from filter at 1.2 Amps. CCS. Weight 230 pounds. Price \$350.00 UTC, LS-691, Modulation transformer for CL "B" 250TH's, 833A's etc. Tapped output range 4.5K to 2K ohms load. Oil filled. Weight 350 pounds. Delivers 1,000 watts distortionless audio under CCS rating. Price \$300.00. UTC, LS-103 Modulation Reactor. Companion unit for LS-691. Price \$50.00. UTC, LS-49 Driver transformer. Various tubes to 838, 805, etc. grids. Matches 805's to CL "B" 250TH or 833A grids. Weight 15 pounds. Price \$30.00. UTC, LS-6 Driver transformer. Various tube to 805, 845, etc., grids. Weight 7.5 pounds. Price \$25.00. UTC, LS-10 Line to grid transformer. Weight 3 pounds. Price \$17.50. UTC, CG-512 Line to CL "B" 250TH, 450TH, etc., grids. Price \$15.00. All units perfect. Will be boxed and shipped with freight and insurance paid by buyer. George W. Smith, Jr., W5HIP/W5DPS, Route 1, Box 137 Pottsboro, Texas 75076.

3-D OFFICIAL MOON MAP 53" x 48" in color \$2.25 for radio shacks, dens and offices. H. Morgan, 883-C Diana, Akron, Ohio 44307.

FILTER CONDENSERS: Aerovox Oil Filled 100 mfd. @ 300Vdc Condensers. \$30.00 each. Basil J. Weaver, 1821-C Avenue M, Lubbock, Texas 79401.

YOUR AD belongs here too. Commercial ads 25¢ per word, Non-commercial ads 10¢ per word. Commercial advertisers write for special discounts for standing ads not changed each month.

NEW QSL BUREAU

To handle ALL your QSLs, whether for next door, the next state, the next country or anywhere! No special membership fees, coupons, or rules; Just:

3¢ each for QSLs for U.S.A., Canada or Mexico.
4¢ each for QSLs for any other place in the world.

Just bundle them up (please arrange alphabetically) and mail to:

WORLD QSL BUREAU

5200 Panama Ave.

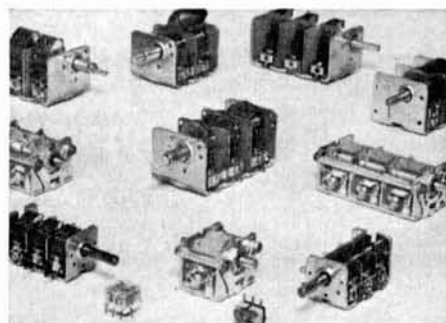
Richmond, Calif.

U.S.A. 94804

ATTENTION HAMS U.S.A., CANADA AND MEXICO, Yes, we mean just what we say — at last a QSL bureau to handle QSLs for QSOs within your own country.

ATTENTION HAMS OUTSIDE U.S.A., CANADA AND MEXICO (and SWLs anywhere). Please send us your QSLs for delivery anywhere — same rates as listed above.

ATTENTION RADIO CLUBS. Here is a way to increase attendance at your club meetings. On application we will send QSLs received for your members to you for distribution at meetings. Also special plan at reduced cost for outgoing QSLs from clubs available. Send for details.



Variable capacitors with ranges from 3-19 pf through 10-365 pf

All models in stock for immediate delivery — 1, 2 and 3 sections... PC board and chassis mounting types... direct and 6:1 turning ratios. Prices from \$2.31-\$9.75.



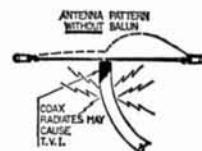
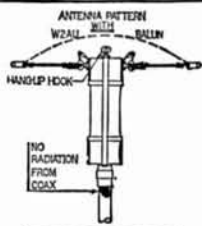
Write for full line catalog.

J.W. MILLER COMPANY

5917 So. Main St. • Los Angeles, Calif. 90003

AVAILABLE NATIONWIDE FROM DISTRIBUTORS AND MAIL ORDER HOUSES

W2AU BALUN LETS ENTIRE ANTENNA RADIATE!



STOP WASTING YOUR SIGNAL! REMEMBER, YOUR ANTENNA IS THE MOST IMPORTANT PIECE OF GEAR YOU OWN.

- No Radiation from Coax
- No Center Insulator Needed
- Perfect for Inverted Vees (Use Hang-up Hook)
- Built-in Lightning arrester
- Broad-Band 3 to 40 Mc.
- Takes Legal Power Limit
- Two Models:
 - 1:1 50 ohm coax to 50 ohm balanced
 - 4:1 75 ohm coax to 300 ohm balanced
- A must for Inverted Vees, Doublets, Quads, Yagis and Multiple Dipoles.

\$12.95 AMATEUR NET

W2AU Complete pretuned Fiberglass Quad\$99.95

W2AU Complete pretuned Vinyl Quad.....\$64.95

UNADILLA RADIATION PRODUCTS
Unadilla, New York 13849

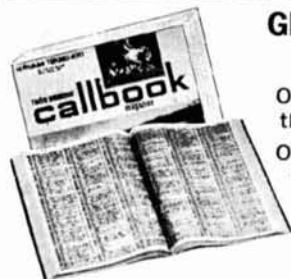
LARGEST SELECTION in United States AT LOWEST PRICES — 48 hr. delivery

JAN
CRYSTALS

Thousands of frequencies in stock. Types include HC6/U, HC-18/U, FT-241, FT-243, FT-171, etc. SEND 10¢ for catalog with oscillator circuits. Refunded on first order.

2400H Crystal Drive
Ft. Myers, Florida 33901

radio amateur
callbook



GET YOUR NEW ISSUES NOW!

Over 290,000 QTHs in the U.S. edition **\$6.95**

Over 140,000 QTHs in the DX edition **\$4.95**

NEW EDITION EVERY:
MARCH 1 — SEPT. 1
JUNE 1 — DEC. 1

These valuable EXTRA features included in both editions!

- QSL Managers Around the World!
- Census of Radio Amateurs throughout the world!
- Radio Amateurs' License Class!
- World Prefix Map!
- International Radio Amateur Prefixes
- Radio Amateurs' Prefixes by Countries!
- A.R.R.L. Phonetic Alphabet!
- Where To Buy!
- Great Circle Bearings!
- International Postal Information!
- Plus much more!

See your favorite dealer or order direct (add 25¢ for mailing in U.S., Possessions & Canada. Elsewhere add 50¢).

WRITE FOR FREE BROCHURE!



RADIO AMATEUR
callbook INC.

Dept. E. 925 Sherwood Drive
Lake Bluff, Ill. 60044



KEEP UP TO DATE ON YOUR DXING

A weekly magazine (16 to 24 pages each week).

Current DX that's on the air, and info about what's planned for the immediate future. What's being heard by the boys. Etc.

FULL DX INFO EVERY WEEK.

Per year—Surface mail (they say most 1st class mail actually goes via air) \$11.00

The DXERS Magazine, (W4BPD)
Route 1, Box 161-A,
Cordova, S.C. 29039

Ham Radio News

June 1, 1969

LONGEST TIE-UP IN BOSTON'S HISTORY HAS BEEN SETTLED.

Comtec again making shipments of the most exciting new handbook to be offered for many years.

This new handbook, written by 34 experts in their particular fields, has 21 chapters covering nearly every technical area of amateur radio.

A beautiful 832 page hardbound volume that belongs in your library — now!

\$11.95

comtec

BOX 592
AMHERST, N. H. 03031

the permaflex key

- both a twin lever & straight hand key in a pivotless 2 paddle-design.
- gives instant choice of automatic semi-automatic & straight hand keying.
- use directly with any transmitter or through an electronic keyer.
- 8 amp. gold diffused silver contacts adjust from 0-.060" & 5-50 grams.
- distinctive blue paddles are of rugged G-10 fiberglass epoxy.
- cabinet is 16 gauge polished chrome steel: 1.95" sq. x 3.75", paddles extend 1.25", weight app. 1 pound.
- silicone rubber feet for stability.
- 100% US made & guaranteed for 1 yr.



1995 complete,
ppd use & can.
send a check or m.o.
sold by mail only

James Research company, dep't: HR-K
11 schermerhorn st., brooklyn n.y. 11201

NOW, FOR THAT

"Extra Class". 2 POWERFUL LINEARS



Built to Operate
Dependably With
Plenty of Reserve

- Dependable Operation
- Rugged Eimac 3-1000Z
- Instant Transmit • ALC
- Fast Band Switching
- Easy Load and Tune
- Real Signal Impact

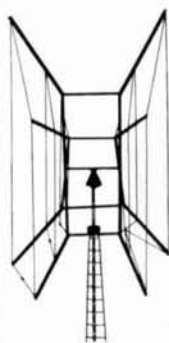
BTI LK-2000 ... For
maximum legal amateur
input ... 55B, CW, RTTY.
Price \$79500

BTI LK-2000HD ...
For heavy duty applica-
tions such as MARS, high
power RTTY and 55B.
Price \$89500

Listen for the hundreds of
LK-2000 linears now on the
air and judge for yourself.
Write for free illustrated
brochure or send \$1.00 for
technical and instruction
manual.

BTI AMATEUR DIVISION

Hafstrom Technical Products
4616 Santa Fe, San Diego, Ca. 92109



2 Element QUAD

FOR 10 - 15 - 20

The "JOGA QUAD" is rated at 1KW AM and 2KW P.E.P. 55B. Features a single feed line. Enjoy maximum forward gain and very low SWR over the full bandwidth. The unique shape allows proper element spacing for all bands. It is easy to assemble and resists winds up to 100 MPH. It's lightweight with only a 4 1/2' boom length. A brochure with further information is free for the asking.

PRODUCTOS JOGA
CALLE 50 X 45 NUM. 431
MERIDA, YUC., MEX.



... THE BEST

6 METER CONVERTER



Model 407
\$34.95
ppd.

50-52 MHz in. 28-30 MHz out
or 52-54 MHz with a second crystal
available for \$3.95 extra

A full description of this fantastic converter would fill this page, but you can take our word for it (or those of hundreds of satisfied users) that it's the best. The reason is simple — we use three RCA dual gate MOSFETs, one bipolar, and 3 diodes in the best circuit ever. Still not convinced? Then send for our free catalog and get the full description, plus photos and even the schematic.

Can't wait? Then send us a postal money order for \$34.95 and we'll rush the 407 out to you. NOTE: The Model 407 is also available in any frequency combination up to 450 MHz (some at higher prices) as listed in our catalog. New York City and State residents add local sales tax.

VANGUARD LABS

Dept. R, 196-23 Jamaica Ave., Hollis, N.Y. 11423

SPACE AGE KEYS

Only
\$67.50



- Planar epitaxial integrated circuits for reliability. No tubes—No separate transistors.
- Precision feather-touch key built-in.
- Fully digital—Dot-dash ratio always perfect.
- No polarity problems—Floating contacts switch $\pm 300\text{-V}$ @ 100-ma.
- Rugged solid construction—will not walk.
- Send QSL or postcard for free brochure.

PALOMAR ENGINEERS

BOX 455, ESCONDIDO, CAL. 92025

LOW PRICE, QUALITY, COAXIAL SWITCHES...



Don't pay for the 5th and 6th position. The average HAM rarely uses more than 4!

SPECIFICATIONS: Silvered Contacts. Write-on ERASABLE escutcheon plate. AVAILABLE EITHER 4 PST (COAX-9) OR LINEAR (COAX-LINEAR) IN-OUT VERSION. Handles 1000 W AM or 2000 W SSB. Insertion loss negligible to 160 Mc. VSWR: Less than 1.2 at 160 Mc. Size: 3 1/4" dia. x 1 1/4" overall. Single hole mount. SPECIFY MODEL. \$7.65 ea.

COAXIAL LIGHTNING ARRESTORS

Zero power loss. No increase in SWR at 150 Mc. Does not alternate signals. Model 210 for 1000 W (AM) or 2000 W (SSB). Model 211 Electronic static arrestor for 50 W (AM) or 100 W (SSB). SO-239 UHF type fittings. Other fittings available. Size approx. 3 1/4" x 3/4" dia. #210 \$3.15 ea. #211 \$4.65 ea. SPECIFY model #.



PRICES above are amateur net. Shipped ppd. in U.S.A. Send Check or M.O. (N.J. ADD 3% Sales Tax)

OTHER PRODUCTS: Feed thru capacitors. Tuned noise filters. Alternator, generator, low-pass and field filters. SEND FOR CATALOG.

"COMMUNICATION ENGINEERED"
By "HAMMIE" RICHARDT—W2WIY

ELECTRONIC APPLICATIONS CO.
ROUTE 46, Pine Brook, N. J. 07058

**BARRY
PAYS
CASH
FAST**

You can be sure with Barry . . .
Fair dealing since 1938

Send lists of your unused TUBES,
Receivers, Semi-Conductors,
Vac. Variables, Test Equipment, etc.

No Quantity too Small.
No Quantity too Large.

Write or Call now . . . BARRY, W2LNI

BARRY ELECTRONICS
512 BROADWAY • NEW YORK, N. Y. 10012
212 - WA 5-7000

SDA-100 SOLID STATE DECADE AMPLIFIER

- This versatile new unit converts your own VOM, VTVM, or FET-VM into a sensitive audio and I.F. millivoltmeter.
- It can also be used as a wide-band, low noise pre-amp for oscilloscopes.
- Maximum gain X100
- Input Impedance 1.11 meg
- Output Impedance 100 ohms
- Freq. Response 10hz to 1mhz
- Silicon FET and transistors
- Epoxy PC board, bakelite case
- Internal battery, shielded



\$34.95 ppd
check or m.o.
send for info

SYNTELEX
Dept. HR-1, 39 Lucille Ave., Dumont, N. J. 07628

MOTOR KITS

FOR THE HAND WINDERS
FITS ANY CRANK UP TOWER
COMPLETE WITH WATERPROOF MOTOR
\$150.00

Without Motor \$100.00

HYGAIN — MOSLEY — NEW-TRONICS
TRISTAO — MYLAR ROPE — TIMES COAX

Write for latest catalog

ANTENNA MART

BOX 7, RIPPEY, IOWA 50235
Telephone 2279

ZENERS

ALL DEVICES TESTED AND GUARANTEED

400 MILLIWATT UNITS

3	3.3	3.6	3.9	4.3	4.7	5.1	5.6
6.2	6.8	7.5	8.2	9.1	10	11	12
13	15	16	18	20	22	24	27

VOLTS

1 WATT UNITS

11	12	13	15	16	18	20	22	24	27
30	33	36	39	43	47	51	56	62	68
75	82	91	100	110	120	130	150	160	180

200
VOLTS

PRICE: ALL UNITS 10% 4 for \$1.00 ppd.
5% 3 for \$1.00 ppd.

ALL ORDERS PROPERLY PACKED AND
PROMPTLY SHIPPED

PA. RESIDENTS ADD 6% PA. SALES TAX

M. WEINSCHENKER K3DPJ
PO Box 353
Irwin, Pa. 15642

... THE BEST
**2 METER
 CONVERTER**



Model 407
\$34.95
 ppd.

144-146 MHz in. 28-30 MHz out
 or 146-148 MHz with a second crystal
 available for \$3.95 extra

A full description of this fantastic converter would fill this page, but you can take our word for it (or those of hundreds of satisfied users) that it's the best. The reason is simple — we use three RCA dual gate MOSFETs, one bipolar, and 3 diodes in the best circuit ever. Still not convinced? Then send for our free catalog and get the full description, plus photos and even the schematic.

Can't wait? Then send us a postal money order for \$34.95 and we'll rush the 407 out to you. NOTE: The Model 407 is also available in any frequency combination up to 450 MHz (some at higher prices) as listed in our catalog. New York City and State residents add local sales tax.

VANGUARD LABS

Dept. R, 196-23 Jamaica Ave., Hollis, N.Y. 11423



Radio Amateurs
 Reference Library
 of Maps and Atlas

WORLD PREFIX MAP — Full color, 40" x 28", shows prefixes on each country . . . DX zones, time zones, cities, cross referenced tables . . . postpaid **\$1.00**

RADIO AMATEURS GREAT CIRCLE CHART OF THE WORLD — from the center of the United States! Full color, 30" x 25", listing Great Circle bearings in degrees for six major U.S. cities: Boston, Washington, D.C., Miami, Seattle, San Francisco & Los Angeles. . . . postpaid **\$1.00**

RADIO AMATEURS MAP OF NORTH AMERICA! Full color, 30" x 25" — includes Central America and the Caribbean to the equator, showing call areas, zone boundaries, prefixes and time zones, FCC frequency chart, plus informative information on each of the 50 United States and other Countries. . . . postpaid **\$1.00**

WORLD ATLAS — Only atlas compiled for radio amateurs. Packed with world-wide information — includes 11 maps, in 4 colors with zone boundaries and country prefixes on each map. Also includes a polar projection map of the world plus a map of the Antarctica — a complete set of maps of the world. 20 pages, size 8 1/4" x 12" postpaid **\$2.00**

Complete reference library of maps — set of 4 as listed above postpaid **\$3.00**

See your favorite dealer or order direct.

WRITE FOR FREE BROCHURE! RADIO AMATEUR **callbook** INC.
 Dept. E, 925 Sherwood Drive
 Lake Bluff, Ill. 60044

PRICE WAR

WE BEAT ALL AND ANY OFFERS if you have the equipment we want!

Urgently need any type of lab grade test equipment, and military electronics such as Gen. Rad., H-P, Tektronix, ARC, GRC, TED, PRC, VRC, ARN, URR, APN, etc. Tell us what you have and what you want in first letter! **WE PAY FREIGHT!**

COLUMBIA ELECTRONICS DEPT. H
 4365 W. Pico Blvd., Los Angeles, Calif. 90019
 Phone: (213) 938-3731 Cable: COLECTRON

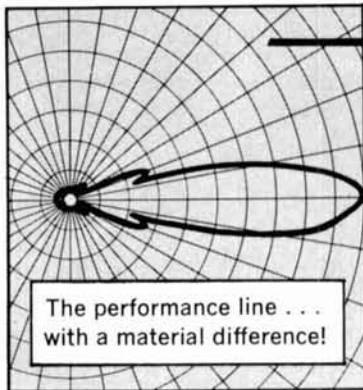
mark 2
oscillator/monitor



- makes an audible tone to monitor the RF of any CW transmitter from 10Mw to 1 Kw & 100Kc to 1000Mc, using only an 8" pickup antenna.
- can be self-triggered for code practice or the testing of solid state components and circuits.
- aids in tuning up & testing RF oscillator and power circuits.
- 4 transistor, 2 diode circuit, speaker, tone adjust, AA pencil, test leads, 8" ant. & magnetic base.
- cabinet is 16 gauge black & clear anodized aluminum, 3.4 x 2.3 x 1.2" US made & guaranteed for 1 year.

14.95 complete, ppd usa & can. send a check or m.o. sold by mail only

James Research company, dep't: HR-M
 11 schermerhorn st., brooklyn n.y. 11201



telrex

PREFERRED AND SPECIFIED WORLD-WIDE BY COMMUNICATION ENGINEERS AND ADVANCED AMATEURS

Don't settle for anything less than the very best! Use Telrex Communication products — for long lasting optimum performance and value!

FREE . . . Tech data and pricing catalogs describing off-the-shelf and custom-built antennas, systems, "inverted-vee kits"®, towers, mono-poles and rotatable "Berthas"®.

For commercial and military applications write for CM69 . . . for amateur applications write for PL69.

COMMUNICATION SYSTEMS SINCE 1921 **telrex** Laboratories

ASBURY PARK, NEW JERSEY 07712, U.S.A.

"ARCTURUS" SALE

1700 transistor types at 39¢ each.
 40 watt germanium power transistor, same as Delco 501, 2N278 (etc), Cat: 349, 59¢ each.
 Color TV cartridge focus rectifier 6.5 kv. Used in every color TV. Cat: CFR-20, 79¢ each.
 Motorola 2500 ma. at 1000 psi, high voltage/current epoxy silicon rectifier, axial leads, Cat: HEP-170, 49¢ each.
 2 Printed circuit I.F. transformers, 4 lug, 455 kc input and output, Cat: 1909P4, 99¢ each.
 RCA UHF transistor type TV tuners, KRK-120 (long-shaft) Cat: UHF-20; KRK-120 (short-shaft) Cat: UHF-21, each \$4.98.
 RCA VHF transistor type TV tuners, KRK-146; Cat: VHF-74, \$9.99 each.

Transistorized UHF tuners used in 1965 to 1967 TV sets made by Admiral, RCA, Motorola, etc. Removable gearing may vary from one make to another. Need only 12 volts dc to function. No filament voltage needed. Easy replacement units. Cat: UHF-567, \$4.95.

UHF tuner original units as used in TV sets such as RCA, Admiral, etc., covering channels 14 through 82, as part no. 94D173-2. Complete with tube. Drive gearing is removable. Can be used in most sets. Cat: UHF-3, \$4.95.

Color yokes. 70" for all around color CRT's. Cat: XRC 70, \$12.95. 90" for all rectangular 19 to 25" color CRT's, Cat: XRC-90, \$12.95

Kit of 30 tested germanium diodes, Cat: 100, 99¢

Silicon rectifier, octal based replacement for 5A54-5A44-5U4-5Y3-5T4-5V4-5Z4. With diagram, Cat: Rect-1, 99¢ each.

7" 90" TV bench test picture tube with adapter. No ion trap needed, Cat: 7BP7, \$7.99.

Tube cartons 6AU6 etc., size, \$2.15 per 100. 6SN7 etc., size \$2.55 per 100. 5U4GB size \$2.95 per 100. 5U4G size \$3.04 each.

Send for complete free catalog. Include 4% of dollar value of order for postage. \$5 MINIMUM ORDER. Canadian check, 8% dollar differential.

ARCTURUS ELECTRONICS CORP.
 502-22nd St., Union City, N.J. 07087 Dept. HR
 Phone: 201-UN 4-5568

WHY YOU SHOULD HAVE W3KT

FORWARD YOUR QSLs TO DX STATIONS

- W3KT** has over eight years of experience in operating an outgoing QSL service.
- W3KT** has forwarded well over a million QSLs during that time.
- W3KT** forwarded over 250,000 QSLs in 1968 alone.
- W3KT** personally has 345 countries confirmed.
- W3KT** offers you a **DELUXE** service. All you have to do is to fill in the card.
- W3KT** considers your QSL a personal message, and sends it out **PROMPTLY** by **FIRST CLASS** mail.
- W3KT** keeps up-to-date files of stateside QSL managers. When he sends cards to them he includes an **QSAE**, and sends the replies to you via your QSL Bureau.
- W3KT** sends other cards to the proper QSL Bureaus, or, where necessary, direct.
- W3KT** sends out **30 CARDS PER DOLLAR**, and it is not necessary to send these all at the same time, or if you prefer, he will forward your QSLs at **FOUR CENTS EACH**.
- W3KT** charges **NO MEMBERSHIP FEE**.

TRY THIS SERVICE!

CAN THOUSANDS OF USERS BE WRONG?

W3KT QSL SERVICE

RD 1, Valley Hill Road Malvern, Pa. 19355

CQ de W2KUW BEST OFFER!!

Paid for any piece of aircraft or ground radio units, also test equipment. All types of tubes. Particularly looking for 4-250 • 4-400 • 833A • 304TL • 4CX1000A • 4CX5000A et al. 17L • 51X • 390A • ARM • GRM • GRC • UPM • URM • USM units.

TED DAMES CO., 308 Hickory St., Arlington, N.J. 07032

CV43/APR9 Converter w/Schematics (2 sheets)	EX	32.50
ID226/APR9 Panoramic Indicator for CV43	EX	14.50
APR9 Test Harness & Junction Box w/Cables	EX	65.00
ARR15 Receiver Test Rack, Rotatable	EX	15.90
TED Antenna Coupler CU332A/U/R with Meter	EX	50.00
SG8/UPM66 w/Carrying Case and Schematic	EX	175.00
Reflector SWR Bridge w/Meter, 30-100mc	EX	8.50
Jones Micromatch Double Coupler No. 574.23	EX	12.50
T465/ALT7 200W Xmitter 168-352mc w/2 6161's	EX	19.50
T465 Schematic pp 1.00 Complete Manual pp		6.50
R316A/ARR26 14-Tube 162-174mc AM/FM Recvr	LN	17.50
C610 Control Box w/4 Tubes for R316A Recvr	EX	4.50
BC733F 108-110mc Converts to Satellite Recvr	EX	7.50
R101A/ARN6 100-1750kc Receiver, Four Hands	EX	27.50
ID169C/APN12 J3PI CRT DP'DT Coax Switch	NEW	12.50
PP336 Main Power Supply for APR9 Receiver	EX	16.50
SA325/U Coaxial Switch SP4T 25VDC Motor	EX	4.75
J1013/AIC Impedance Matching Junction Box	NEW	2.50
C1904/ARC27 Control Box EX 6.50 C906/ARC27	EX	4.50
AN/ARA-8 Control Box and Homing Adapter	EX	4.50
Weston Meter Model 842 Type 5 500-8-500ua	EX	3.75
C45 Control Box for ARC-1, 4 & 12 Equipment		3/2.00
6161 Tube w/Connectors, 100 Watts to 1200mc	EX	6.75
OHMITE Z-50 RADIO Frequency Choke	EX	61.00
RF Choke 7mh 4pi 200ma 2000V Insulation	EX	3/1.00
RF Choke 2.5mh 3pi	EX	5/1.00
Adapter Cable PL259 to BNC Panel Socket	LN	3/1.75
Coax 6' long w/BNC(U2260A/U) Plug each end	EX	4/1.00
Coax 8' w/1 BNC Plug & 1 BNC Panel Socket	EX	4/1.00
Rt. Angle Drive w/gears, Universal, 1/4" Shafts	EX	2/2.50
Feed-thru Capacitors 15 on panel Three Panels		\$1.00
BNC(UG290/U) Coaxial Panel Sockets	EX	3/1.00
Fiberglass Insulating Rod 1/4" dia by 7" long	EX	5/1.00
Schematics 1.00/Sheet pp: ARR7, ARR15, ARR26, ARN6, ARN7, ARC12, ID169C, ID59/APA11, APR9, TR8239, ARN14.		

E. C. HAYDEN Box 294, Bay Saint Louis, Mississippi 39520.
 Prices: FOB Bay Saint Louis. Terms: Net, Cash.

radio amateur callbook

Radio Amateur
 Emblems engraved
 with your call letters.



Charm

- Gold
- Rhodium
- call letters
- \$5.00 Ea.



Tie Bar

- Gold
- Rhodium
- call letters
- \$5.00 Ea.



All illustrations
 are actual size.

Lapel Pin

- Gold
- Rhodium
- call letters
- \$5.00 Ea.

Rush Order To: RADIO AMATEUR CALLBOOK, Inc.
 Dept. E. 925 Sherwood Drive, Lake Bluff, Ill. 60044

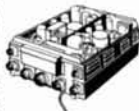
NEW G&G CATALOG! MILITARY ELECTRONICS



24 PAGES crammed with Gov't Surplus Electronic Gear—the Biggest Bargain Buys in America! It will pay you to

SEND 25¢
for your copy—Refunded with your First Order!

BC-645 TRANSCEIVER, 15 tubes, 435 to 500 Mc. Easily adapted for 2 way voice or code on Ham, Mobile, Television Experimental and Citizens' Bands. With tubes, less power supply in factory carton. Brand new **\$16.95**



SPECIAL PACKAGE OFFER: BC-645 Transceiver, Dynamotor and all accessories, including mountings. UHF Antenna Assemblies, control box, complete. **BRAND NEW** **\$26.95**

AN/APR-4Y FM & AM RECEIVER

High precision lab instrument, for monitoring and measuring frequency and relative signal strength, 38 to 4000 Mc in 5' tunings ranges. For 110 V 60 cycle AC. Built-in power supply. Original circuit diagram included. Checked out, perfect. **LIKE NEW** **\$88.50**

All Tuning Units Available for Above.

SCR-274-N, ARC-5 COMMAND SET HQ!

Freq. Range	Type	Exc. Used	Like New	BRAND NEW
RECEIVERS, complete with Tubes				
190-550 Kc	BC-453	\$18.95	\$23.50	\$27.50
3-6 Mc	BC-454	\$16.50	\$19.50	\$22.50
6-9.1 Mc	BC-455	\$14.95	\$17.95	\$21.50
1.5-3 Mc	R-25	—	\$19.50	\$21.50
TRANSMITTERS, Complete with Tubes				
4-5.3 Mc	BC-457	\$ 6.95	\$ 8.95	\$11.95
5.3-7 Mc	BC-458	\$ 6.95	\$ 8.95	\$12.95
7-9.1 Mc	BC-459	\$17.95	\$19.50	\$23.50
2.1-3 Mc	T-18	—	\$ 9.95	\$11.95
3-4 Mc	T-19	\$10.50	\$12.50	\$16.95



CARTER GENEMOTOR

NEW **\$4.95**
INPUT: 5.9 VDC 32 Amps.
OUTPUT: 405 VDC .270 Amps.
Fine for mobile ham gear. Built-in hash filter.



CARTER MAGMOTOR

NEW **\$2.65**
INPUT: 6 VDC 3.6 Amps.
OUTPUT: 250 VDC .030 Amp. #MA2503S.

BC-605 INTERPHONE AMPLIFIER

BRAND NEW **\$3.45**
Excel. Used \$1.95
Easily converted to home or office intercom system! Uses pair of 1619 tubes, delivering 10 watts of audio power. Massive construction, suitable for shops, factories. Finest parts used. Conversion diagram and instructions included.



HEADSET

Low impedance. With large chamois ear cushions, 4-ft. cord and plug. Reg. \$12.50
OUR SPECIAL PRICE **\$2.95**
High impedance adapter for above 69¢



TEST UNIT TS-16

Portable, self-contained, for checking altimeter counter and indicator circuits. Freq. read directly in Mc from rotary dial. Power input 27 to 28 V DC. Includes meter for line voltage.

BRAND NEW **\$14.95**



FREQUENCY METER

BC-906

NEW.....

\$12.95

Portable absorption type meter for determining frequency of CW MCW or pulsed radar transmitters and local osc. Also for calibrating, aligning and checking sensitivity of receivers. Battery operated: 1.5V, 45 V DC. Range 150 to 234 Mc.

TG-5B TELEGRAPH SET FOR CODE COMMUNICATIONS or CODE PRACTICE

NEW

\$8.95

Portable, with hinged lid. Two or more units can be operated up to 25 miles apart, over land lines. Has bell call system, 1000 cycle howler, key, headpiece, canvas case, book. Wt. 10 lbs. Batteries not included: two 1½ volt and one 22½ V. Overall size 5½x5½x10".



DUAL AMPLIFIER

NEW

\$7.95

Has two input circuits, each feeding a single 6SN7GT twin triode amplifier. The unit is complete with 115 volt 60 cycle power supply which uses 6X5GT rectifier. Finest components. All transformers hermetically sealed. Vibration-proof chassis on 4 rubber shock-mounts. Size: 5¼"x2¼"x4¾". Weight 11 lbs.

NAVY BEAM FILTER

1020 cycles low impedance. Similar to the FL8 but more elaborate, with cord and PL55 and switching control on slant panel for easy viewing.

NEW

\$2.25



WILLARD 2-VOLT STORAGE BATTERY

Rated at 20 Ampere-Hours. Model 20-2 Compact, rechargeable, fine for models, etc. Convenient non-spill construction. Lightweight polystyrene container, extremely sturdy. Size: 3x4x5½". Shipped dry, uses standard electrolyte (listing here). Shpg. wt. 3 lbs.

NEW, Each **\$2.79**
Lots of 36 to 99 each **\$2.45**
Lots of 100 or more, each **\$2.30**



TERMS Either 25% Deposit with order, balance C.O.D. — OR Remittance in Full. Minimum Order \$5.00. All shipments F.O.B. our warehouse, NYC. All merchandise subject to prior sale and price change.

G & G RADIO SUPPLY COMPANY

77A Leonard St., NYC 10013 — Ph. 212-267-4605

R138. Command receiver, 108.132 mc AM, 9 tube, 2 uv sensitivity. No dial. We give knob, tuning graph, technical data. Needs power supply & controls as other Commands. **NEW.** \$27.50

R22. Command receiver 540.1600 kc. with knob and tuning graph & technical data. OK. 17.95

R11A Modern Q 5'er 190.550 KC, 85 Kc IF, no dial. Brand new. 12.95

R23/ARC5 Command rcvr (Q 5'er) 190.550 kc. has dial, w/knob & tech. data. OK, guaranteed, tested. 14.95

SP-600-JX Receiver, 540 kc to 54 mc, in cream puff condition. 325.00

AN/ALR-5. Tunes 38.1000 mc with **ONE** tuning unit CV 253 included. Brand new, w/rcvr late type converted to 60 cy (R 444), also new or like brand new, with book. 275.00

LM14 freq. meter, 125.20 mc, 0.1%, w/ser. matched calib & tech. data 100% OK. 57.50

TECHNICIANS: We have new arrivals **BARGAINS** in Scopes, Counters, Signal Generators, etc. **ASK!**

WANTED: GOOD LAB TEST EQUIPMENT & MIL. COMMUNIC.

WE PROBABLY HAVE THE BEST INVENTORY OF GOOD LAB TEST EQUIPMENT IN THE COUNTRY. BUT PLEASE DO NOT ASK FOR CATALOG! ASK FOR SPECIFIC ITEMS OR KINDS OF ITEMS YOU NEED! WE ALSO BUY! WHAT DO YOU HAVE?

R. E. GOODHEART CO. INC.
Box 1220-HR, Beverly Hills, Calif. 90213

RADIO CLUBS

WRITE TODAY FOR DETAILS

FOR THE MOST LIBERAL

CLUB DISCOUNT PROGRAM

AVAILABLE TODAY



HAM RADIO MAGAZINE

GREENVILLE, NEW HAMPSHIRE 03048

ALL BAND TRAP ANTENNA!

Reduces interference and noise on ALL Makes Short Wave Receivers. Makes World Wide Reception Stronger. Complete with 10 ft. 7/16" dia. beaded resonant traps. For novice and class radio amateurs! Eliminates separate antennas with better performance guaranteed! 10 ft. 7/16" traps. Complete 10' ft. \$19.95, 20' ft. 19.95, 30' ft. 29.95, 40' ft. best for world wide short wave reception! \$18.95. Send only \$3.00 cash, ck. m.o. and pay postman's charge COD plus postage on arrival or send full price for postpaid delivery. Complete instructions included.

WESTERN ELECTRONICS Dept. B Kearney, Nebr. 68847

LIBERTY PAYS MORE!!

WILL BUY FOR CASH — ALL TYPES
Electron Tubes · Semiconductors · Test Equipment
Military Electronic Equipment

Wire, write, phone collect! We pay freight on all purchases!

LIBERTY ELECTRONICS, INC.
548 Broadway, New York, N. Y. 10012
Phone: 212/925-6000

WE PAY CASH FOR TUBES

LEWISPAUL ELECTRONICS INC.
303 W. Crescent Avenue
Allendale, New Jersey 07401

SURPLUS EQUIPMENT WANTED TO BUY BY THE FASTEST GUN IN THE EAST



No horsing around, we pay fast . . . in 24 hours . . . and we pay more. We'll swap or trade new equipment too . . . We quote fast too. We also pay for shipping, insurance, etc. You call fast, now, collect, for fast quote.

SPACE ELECTRONICS
div. of **MILITARY ELECTRONICS CORP.**

11 Summit Ave., East Paterson, N. J. 07407, (201) 791-5050

SIGNAL ONE OFFERS AN OPPORTUNITY

rarer than "once-in-a-lifetime" . . .

for **ONE HIGHLY QUALIFIED RF DESIGN ENGINEER** with 5-10 years' strong experience, including project responsibility for sophisticated HF equipment development.

WANT TO accelerate your career by joining the select group of professionals who've already initiated the greatest ham gear revolution in two decades? A BSEE and thorough working knowledge of state-of-the-art techniques and devices, such as mentioned in SIGNAL/ONE's display ad in this issue, is **essential**. An MSEE is desirable (and an Extra-Class license would be frosting on the cake). Send a detailed summary of education, experience, and salary history to General Manager, 220 Anvil St. N., St. Petersburg, Florida 33710.

WE PAY **HIGHEST**
PRICES FOR ELECTRON
TUBES AND SEMICONDUCTORS

H & L ASSOCIATES

ELIZABETHPORT INDUSTRIAL PARK
ELIZABETH, NEW JERSEY 07206

(201) 351-4200

39th Annual ARRL West Gulf Division Convention

Amarillo, Texas, Aug. 15, 16 & 17

Excellent program of speakers on today's topics and technology.

Banquet Sunday noon featuring a nationally prominent personality.

Free child care · Contests · Awards
Registration · \$10.50 per person.

OPTIONAL

Special interest group breakfasts and luncheons.

Pre-convention party Friday night.

Party and dance Saturday night.

Wouff Hong initiation.

Your choice of fine accommodations.

Local attractions to suit your pleasure.

Panhandle Amateur Radio Club
Box 5453, Amarillo, Texas 79107

GOV'T - INDUSTRIAL - SURPLUS - BARGAINS

DUAL TRANSISTOR IGNITION SYSTEM

This system was made by Canadian Tire to sell for \$35.00. These are Brand New fully wired surplus, not rejects. The extra high voltage coil provides smoother running at high speeds and longer plug life, and the lower current through the points makes for longer point life and faster winter starts. Special connector allows instant change over to conventional ignition. Fully Guaranteed, with instructions ready to install for 6 or 12 volt negative ground car. CLOSE OUT SPECIAL DTI \$10.00 p.p.

DIGITAL COUNTER — TO 1 MILLION

These count on a pulse of electricity. Used, but in like new condition. Originally designed to count number of copies made on an office copier. New cost was \$30.00. Yours for 10% of that cost. Use it to count anything you want. Keep track of number of people coming into a store — number of copies made or parts made, number of turns on coils of transformers, unlimited possibilities. Made by Durant. 6V, 115 V AC, 60 cycles, 7 watts. Speed 1000 CPM, Figures 9/64" wide x 3/16" high. Black on white background. Size 1 3/8" x 2 9/10" x 3 3/4". DDC-300 \$3.00 p.p.

DELAY LINE

This delay line gives up to 1.0 useconds delay in 10 increments of 0.1 microseconds. The characteristic impedance is 300 ohms input and output. This impedance is excellent for twisted pairs, and is a very useful variable compensation for "race" in I.C. logic. On handy plug-in card. DL-200 \$1.50 p.p.

BRAND NEW DIGITAL READOUTS

These Digital Readouts are selling for \$44. new, and our competitors are selling USED ones from \$16. to \$22. today. These are BRAND NEW Surplus. Use these readouts anywhere you want numerical displays such as Digital Clocks, counters, all kinds of applications. The 1/2" wide x 1" high numerals are projected on the front plastic screen which is lighted from behind by 12 # 1820 bulbs. The contrast is so good they are easily read even in a brightly lighted room. Operation is from 12 to 28 volts. This Readout can easily be converted to 6 volt operation by changing the # 1820 bulbs to # 44 pilot bulbs at a nominal cost of ten cents each. The lamp housing has a quick disconnect feature for instant replacement of any burned bulb. 12 message positions. Two formats are available. One format has the numerals 0 to 7 plus the symbols +, -, Tp and Tx. The other format has numerals 0 to 9, plus symbols + and -. The format could be changed to read PM, for example, by using a little ingenuity and reworking the screen which is readily accessible. Panel mounts on two 6/32 tapped holes. O/A 2 1/2" high x 1 1/2" wide x 5 3/8" deep. Manufactured by Industrial Electronic Engineers.

DR 0 — 9 \$9.50 p.p.
DR 0 — 7 \$6.50 p.p.

SOLID STATE BARGAINS

\$1.25 EACH P.P.
Any 5 items for \$5.00 P.P.
Diodes (RUE) 1 amp 800V 6 for \$1.25
— Silicon trigger diode (AVAL SW) 3 for \$1.25
— Bi-switch 7 amp AC control 3 for \$1.25
— Terminal boards 4" x 5" with 75 terminals each side (RUE) 3 for \$1.25
— Silicon diodes in heat sink 25 amp 200V \$1.25
— Xformer input 120V 60 Hz out 6.3V 1 amp \$1.25
— 750 watts AC phase control solid state parts & instructions \$1.25
— Plug in socket & PC board 4.5" x 6" \$1.25
— Zener diodes 1N429 3 for \$1.25
— Zener diodes 10 volt (RUE) 4 for \$1.25
*When both of these are purchased instructions for making AC phase control are supplied. RUE — removed from new equipment.

KOILED KORDS

Cord extends from 11" to 54". The heavy stranded conductors of these cords makes them ideal as microphone or telephone cords. Eliminate those tangled cords that fray and wear out in a short time. Spade terminal and strain relief on one end as shown. KK 2 for \$1.00 p.p.

1000 MFD-TANTALUM CAPACITOR

Buy a brand new high capacitance Tantalum capacitor for less than the price of an equivalent aluminum foil unit. You gain the advantages of small size, high reliability, infinite life, and high temperature operation. Don't let the Electrolytic Capacitor be the largest size and least reliable component in the next home project or replacement. Regular net price of these units is \$72.00. Brand new Tantalum Capacitors:
1000 Mfd @ 50 VDC-TC1000 \$2.25 p.p.
400 Mfd @ 75 VDC-TC 400 \$1.75 p.p.

GEIGER COUNTER - GOV'T SURPLUS

"CD" Type Radiation Survey Detectors are in like new condition, with instruction manual, and straps. Picture shows typical unit. Bright yellow plastic case, water-proofed. Meter readings may be made from 0.01r/hr to 50r/hr. Units are clean and are offered untested as is at a low price of \$10.00 less batteries, battery price about \$1.50. With life of 400 hrs. or intermittent operation. CD MD. No. 710 GC 710 \$10.00 p.p.

POOR MAN'S HI-FI HEADPHONES

The Canadian Air Force has surplus also and we were fortunate to obtain over 500 headsets from them and are passing the savings on to you. They are unused and in the original cartons. The headphone elements are actually miniature speakers, as pictured, and this is the way Hi-Fi phones are constructed. Will give excellent fidelity with either voice or music. They have rubber pads with chamois-type covering, metal headband, cord and plug. 4 to 16 ohm impedance for use with any radio or TV, etc., by attaching to the speaker leads. May be converted to "stereo" by making connections at each ear phone. This is a real bargain for quality RCAF head sets. RCAF HP \$3.00 p.p.

NOISE CANCELLING MICROPHONE

Late government issue MX51UR noise cancelling bandwidth limited carbon microphone. Originally used on boom in front of pilots helmet. This microphone is excellent for use where communications must be maintained even at high ambient noise levels. Included is a schematic showing proper way to bias microphone in transistor circuits. Also included is two transistor amplifier circuit. Capable of driving speakers. Brand new and in original packaging recent manufacture. At the astounding low price of 2 for \$1.00. NCM \$2.50 p.p.

750 WATT, SPEED MOTOR CONTROL

— LIGHT DIMMER KIT
This easily constructed project can be used as a light dimmer or to control the speed of AC/DC tools up to 7 amps. We furnish the 7 amp Bi-switch, trigger diode, variable pot, ferrite core and wire for the transformer, capacitors, resistors and instructions. You supply the housing. ACPC-1000 \$2.50 p.p.

COMPUTER GRADE CAPACITORS

Due to a special buy of only one size, we can offer this capacitor at an unbelievable low price of 3 for \$1.50. This is a convenient size for power supply filters. Low ESR & leakage currents. Long life. Plastic insulating tube withstands military environment conditions. The regular list price of these is over \$3.00. 400CGC-400 \$1.50 plus \$1.00 Postage and handling.

P.P. = POSTAGE PAID

B F

Enterprises

P. O. BOX 44, HATHORNE, MASS. 01937

SEND FOR OUR MOST UNUSUAL CATALOG 68 pp. 25¢ FREE WITH AN ORDER



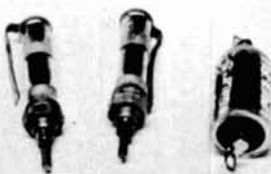
CRYSTAL ELIMINATOR

Brand new, made for PolyTronics CB rig. Permits tuning the entire CB band without crystals. Good deal for conversion to other CB rigs. Built-in DB meter, NuVista circuit. With diagram. **\$5.50**



FERRITE CORES

Experimenters package, various sizes. Used in transistor VFO, transistor power supply xfmr core, RF suppression, toroidal tank coil, etc. **5 sizes only \$1.00 the package**



RF FILTER

From HAWK MISSILE termination contract. Good for 5 amps, 600 volt, 10 cycles to 500 mc, insertion loss 60 DB-plus, low pass pi-network type, excellent as feed-thru filter in converters, transmitters. Hermetically sealed inside are 2 toroidal chokes and 4 low induct. caps. #41102 **\$1.00 each, 6 for \$5.00**

PISTON CAPS

Corning glass, direct traverse type, min. Q at max. C—500 at 50MC. 500 volt breakdown. Capacitance range 1-8 uufd. Brand new military surplus **3 for \$1.00 or \$3.00 per doz.**

JOHN MESHNA JR.

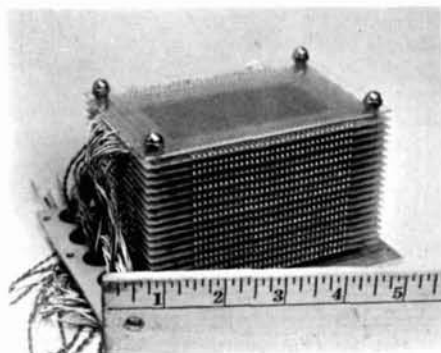
19 ALLERTON ST., LYNN, MASS. 01904
P. O. BOX 62, E. LYNN, MASS. 01904

Customer pays all shipping
New catalog #69 now ready
Send 25¢ handling & postage charge.



\$10 TRANSISTOR IGNITION \$10

Complete electronic 2 transistor dual ignition system for cars, boats, trucks. Fully wired harness, dual primary coil, instant changeover from transistor to conventional or back. Neg. ground, 6 or 12 volt system. Complete with instructions, ready to install. Original price \$35, now only \$10.00 ppd.



MEMORY CORE PLANES

Ultra compact memory core stack. Complete, perfect condition. Stack of 18 planes wired, each plane 2040 cores (32x64). Only 2 stacks available. **\$100 each**

INTEGRATED CIRCUITS FAIRCHILD

711 Dual Comp. Amp., 2.00 ea, 12/20.00
926 JK Flip Flop, hi speed
 923 (20MHz) 1.50 ea, 12/15.00
910 Dual 2-Input NOR, 1.50 ea, 12/15.00
914 Dual 2-Input gate, 1.00 ea, 12/10.00
Dual 4 Input logic gate #1M5 2/1.00
Diff. Amp. 12M2 1.00 ea, 12/10.00
#7M6 flat pak, w/schematic, 6NPN
 transistors in package, 3/1.00
 1.00 each or \$10.00 dozen

Dual Input Gate 2-903
JK Flip Flop 923
Dual JK Flip Flop 2-923
Dual 2-Input Gate,
 Dual Expander 1-914, 1-925
Dual 2-Input Gate Expander 925
Clocked flip flop 1.00 ea, 12/10.00

DECIMAL COUNTER



Electronic indicating decade, vacuum tube type, 4 tubes. Displays 0-9 counting input pulses. One unit may be used to drive another. Removed from equipment, w/tubes, w/schematic. **\$8.00 each, 2/\$15.00, 10/\$60.00**



COAX SWITCH

Unused coaxial switch, 12 volt coil, standard UHF fittings. Made by Allied Control. **\$5.00**



TRANSISTOR CAPS

Volts	Mfd	Each	12
25	1	\$.10	\$ 1.00
15	5	.10	1.00
15	10	.12	1.20
15	500	.20	2.00
12	15	.12	1.20
12	150	.15	1.50
8	300	.20	2.00
6	10	.09	.90
6	30	.10	1.00
6	50	.12	1.20
6	200	.15	1.50

Your choice of the above as listed . . . or . . . grab-bag our choice, **10 different \$1.10**

CB CRYSTALS

The following CB crystals offered at 50¢ each, you pick 'em. Or, we will give a grab bag of **6 different (no choice) \$1.50**

TRANSMIT: 1-2-3-4-5-6-7-8-9-10-11-12-13-14-17
RECEIVE: 6-7-9-11-13-15-17-18-19

3400 VOLT CT XFMR 800 WATTS

Brute of a transformer, Arnold core. 115 volt 60 cycle input, output of 3400 VCT.

\$10.00 each; 6 for \$50.00

IBM WIRED MEMORY FRAMES.

Removed from high priced computers. ExInt condition.

4,000 Wired Core Plane	\$ 9.00
4,096 Wired Core Plane	\$12.50
8,000 Wired Core Plane	\$13.50
8,192 Wired Core Plane	\$15.00
16,384 Wired Core Plane	\$19.00



LOW PASS FILTER

Brand new, w/UHF fittings, good for 100 watts, up to 30mc. 52 or 72 ohm line, attenuation min of 60 db from 35 mc thru FM & TV bands. **\$4.00**



SLUG TUNED COILS

For PC board and one hole mount. Grab bag of 8 various types, ceramic, lucite, some with windings (easily removed to replace with your own). A good \$5.00 value for only **8 for \$1.00**
50 for \$5.00



HRO COILS

Used, good cond. Look like HRO 50 or 60. The following available A-B-C-D-E-F-HJ AD. **each \$10.00**

JOHN MESHNA JR.

19 ALLERTON ST., LYNN, MASS. 01904
P. O. BOX 62, E. LYNN, MASS. 01904

ABSOLUTELY

NEW

TRI-EX

W-67

FREE STANDING TOWER.

SUPPORTS 9 SQ. FT. OF ANTENNA.

Shown with internal Ham M rotator and 2" mast.

INCLUDES

- FREE: RIGID BASE MOUNT
- PRE-DRILLED TOP PLATE — For TB-2 thrust bearing.
- HIGH STRENGTH STEEL TUBING LEGS. Solid rod, "W" bracing.
- EASY MAINTENANCE — No guys or house brackets needed.
- RISES TO 67 FT. — Nests down to 22 ft.
- HOT DIPPED GALVANIZED AFTER FABRICATION! All welding by certified welders.

IMMEDIATE DELIVERY

FREIGHT PREPAID INSIDE CONTINENTAL U.S.A.



Iri-Ex TOWER CORPORATION

7182 Rasmussen Ave., Visalia, Calif. 93277

Advertisers iNdex

Aerotron, Inc.	Cover IV
Amateur Radio, Inc.	80
Amateur Wholesale Electronics	95
Antenna Mart	86
Antennas, Inc.	68
Arcturus Electronics Corp.	88
B & F Enterprises	91
Barry Electronics	86
Bob's Amateur Electronics	79
Collins Radio Co.	Cover II
Columbia Electronics	87
Convention '69	76
Cushcraft	71
Dames Co., Theodore E.	88
DXer's Magazine	84
Electronic Applications Co.	86
FM Magazine	78
G & G Radio Supply Co.	89
Goodheart Co., Inc., R. E.	90
Gordon Co., Herbert W.	Cover III
Green, O. Watson	82
H & L Associates	90
Hafstrom Technical Products	85
Ham Radio Magazine	72
Hammarlund Manufacturing Co.	2
Harrison Radio	96
Hayden, E. C.	88
Henry Radio Stores	1
International Communications & Electronics, Inc.	73
International Crystal Manufacturing Co., Inc.	51
International Electronic Systems	95
James Research	85, 87
Jan Crystals	84
Joga, Productos	85
Lewispaull Electronics, Inc.	90
Liberty Electronics	90
Meshna, John, Jr.	92, 93
Military Electronics	90
Miller Co., J. W.	83
National Radio Co., Inc.	5
Palomar Engineers	85
Panhandle Amateur Radio Club	90
RCA Institutes, Inc.	69
Radio Amateur Callbook, Inc.	84, 87, 88
Signal/One	6, 7, 90
Spectronics	55
Spectrum International	65
Stellar Industries	77
Structural Glass, Ltd.	75
Syntelx	86
Telrex Communication Engineering Laboratories	87
Tri-Ex Tower Co.	94
Unadilla Radiation Products	84
Vanguard Labs	85, 87
Varitronics, Inc.	74
W3KT QSL Service	88
Weinschenker, M.	86
Westcom Engineering Co.	70
Western Electronics	90
World QSL Bureau	83

The GREAT NEW one



SWAN

260



- AC and DC SUPPLIES
BUILT IN!
- 5 BANDS
- 260 WATTS
- \$395⁰⁰

RECONDITIONED

LIKE NEW TRADE-IN EQUIPMENT

30 DAY PARTS AND LABOR GUARANTEE

CENTRAL ELECTRONICS	722 VFO	\$24.00	HEATH	GC-1A	\$89.00	KNIGHT	TR-106 and VFO	\$109.00
10-A	GALAXY	\$345.00	HG-10	\$29.00	LAFAYETTE	HE-45w/HE-61 VFO	\$59.00	
MM-2	Galaxy V w/AC & speaker	\$49.00	SB-300	\$219.00	NATIONAL	NC-300w/Ameco CB-6	\$79.00	
CLEGG	99'er	\$79.00	SB-110Aw/HP-23	\$119.00	Converters	NCX-5w/NCX-A	\$395.00	
COLLINS	G-63	\$89.00	HP-20	\$29.00	NC-270	6 and 2 m. conv. and	\$39.00	
32V-2	G-77A w/AC/DC	\$69.00	HA-10w/572'B	\$119.00	Conv. box	NCX-500w/AC	\$389.00	
32V-3 (as is)	G-66B/3 way supply	\$69.00	Boxer	\$39.00	RME	DB-22A	\$19.00	
KWM-2w/Waters Q Mult.	G-76 and AC	\$99.00	HQ-10	\$45.00	SWAN	410Cw/22B	\$99.00	
KWM-2A	Comm. VFO	\$39.00	VHF-1 (Seneca)	\$129.00	T.M.C.	G5B-1	\$99.00	
32S-3	HALLICRAFTERS	\$525.00	DX-60	\$55.00	POLYCOM	PC-6	\$125.00	
516F-2	SR-2000w/AC	\$925.00	JOHNSON		UTICA	650 and VFO	\$189.00	
32S-3 w/516F-2	SX-117	\$149.00	Ranger I	\$89.00				
DRAKE	SX-110	\$89.00	Ranger II	\$129.00				
2-B	SX-99	\$69.00	Valiant	\$119.00				
2-C	HT-37	\$179.00	Pacemaker	\$109.00				
L-4B	HT33A (Mod. to "B")	\$225.00	6 and 2	\$65.00				
1-A	SX-73	\$249.00	Matchbox 275w/ind.	\$59.00				
T-4	SX-115	\$349.00	6 and 2 VFO	\$24.00				
EICO	R-51 w/clock	\$19.00	Adventurer	\$24.00				
751 w/751 AC	HAMMARLUND	\$189.00	Phone Patch	\$15.00				
720	HQ-145C							

HIGHEST TRADES! NO ONE ANYWHERE will beat our deal! We will **TOP** any advertised or written offer from any other dealer. We trade on both new and used equipment and we service what we sell. Instant credit on both new and used equipment. Master Card Credit and General Electric revolving charge.

AMATEUR - WHOLESALE ELECTRONICS



A DIVISION OF

International Electronic Systems, Inc.

280 ARAGON AVENUE, CORAL GABLES, FLORIDA 33134

305-444-6206

Cable: "INTEL"

Export orders our specialty

WANT MORE FOR YOUR MONEY?

This new Galaxy "550" line of coordinated equipment is winning plenty of plaudits from hams who find it gives plenty of performance for surprisingly few dollars investment.

It's real value, plus Harrison unique services gives you truly MORE for your money.

For the very best deal, visit any of our stores, or drop me a line today. TNX

73 *Bil Harrison* W2AVA



THE EXCITING NEW "550 LINE"

GALAXY GT550 TRANSCEIVER. Highest power in a compact design, 550 watts SSB, 360 watts CW, with tune power provisions for longer life — Solid-State circuits where they provide maximum performance and reliability — Selectable Sideband without frequency jump — Audio derived AGC — Sharpest filter for minimum QRM — King size finger-tip VFO tuning knob — Size: 6" X 11 $\frac{1}{4}$ " X 12 $\frac{1}{2}$ " (HWD) — Weight: 17 pounds

... \$449⁰⁰

CAL-25. Plug-in 25KHz solid state calibrator \$25.00

VOX35C. Plug-in VOX control unit \$29.95

F3. Plug-in 300 Hz CW filter \$29.95

RF550 R.F. CONSOLE. A precision wattmeter in the range of 3.5/30.0 mHz — Contains switch to select 5 antennas or a dummy load (not supplied) \$69.00

SC550 SPEAKER CONSOLE. A matching speaker with headphone jack — AC400 power supply will mount inside \$19.95

AC400. Full power, heavy duty state supply for 115/230 volts \$89.95



GALAXY LA550 LINEAR AMPLIFIER. 200 watts PEP input on SSB, 1000 watts DC input on CW/RTTY. Band switching 80 thru 10 meters, with some adjacent MARS and special frequencies.

... \$495⁰⁰

GALAXY RV550 REMOTE VFO. A solid state VFO complete with simple plug-in cables. Gives flexibility of a separate transmitter and receiver.

... \$75⁰⁰



PROMPT ORDER DEPT.

We carefully pack and ship ham gear, accessories and parts to most any part of the world.

Address your orders to:

**22 SMITH STREET
Farmingdale, N.Y. 11735**

Please include ample postage (plus \$1 handling cost with orders under \$10.)

OR, PHONE YOUR ORDERS TO
(212) BA 7-7922 OR (516) 293-7990

SINCE 1925

Harrison

"HAM HEADQUARTERS, USA"®

NEW YORK CITY • 8 Barclay St. • BArcly 7-7922

JAMAICA, L. I.
139-20 Hillside Ave.
REpublic 9-4101

FARMINGDALE, L. I.
Route 110 at Smith St.
(516) 293-7990

COMDEL CSP-II



\$120.00

Postpaid
U. S. & Canada

The only practical device some people* can buy that will provide an advantageous improvement to their SSB performance.

*Assuming you have the best antenna installation, maximum legal power input and the savvy to operate your rig properly. Write for literature today, or better yet send for the Comdel — Full guarantee of course.

HERBERT W. GORDON COMPANY

Harvard, Massachusetts 01451 • Telephone 617 — 456 — 3548

"Helping Hams to Help Themselves"



Just Getting Started In Ham Radio?

If your interest in ham radio has only recently developed you already know by now that there are hundreds of brands of equipment from which to choose, some costly . . . some not too costly. For years, Ameco equipment has appealed to the beginner because of its modest cost, yet with engineering and manufacturing quality you would expect to find in really expensive gear. Read about our All-Wave Receiver and Novice Transmitter below, then write for our new Ameco catalog to get complete specifications on these and other moderately priced items.

Model R-5A Allwave Receiver



An exceptionally fine receiver for the short wave listener and beginning amateur operator. Fully transistorized-solid state. Covers .54 Mc through 54.0 Mc in five continuous bands. Includes standard broadcast band, all foreign broadcast bands, all amateur bands from 160 through 6 meters, all 27 Mc CB channels, all 2 way radio frequencies from 30 to 50 Mc including many police and fire departments. Controls include Beat Frequency Oscillator, Noise Limiter, Bandspeed. Provisions for external "Q" multiplier. Compare with tube-type units costing as much!

Wired and tested \$99.95
 Battery adapter kit. (permits operation from 12 VDC or eight "D" cells) \$ 3.95

Model AC-1 Novice CW Transmitter Kit



The ideal kit for the beginner who requires a reliable TVI suppressed transmitter. Keying is clean and chirp-free. Crystal controlled, PI-network Output Circuit. Includes AC Power Supply. For 40 and 80 meters, CW. Fifteen watts input. Kit is simple to build and easy to operate.

Kit with coil for any 1 band, including tubes \$23.95
 Extra coil kit for any 1 band, CK-1 1.00

Ameco Books and Records

Radio Amateur Theory Course: Gives sufficient information to pass the FCC exams for the Novice, Technician, General and Conditional Classes of Amateur Licenses. The Ameco Theory Course is the shortest path to getting a ham ticket.

No. 102-01, Over 300 pages \$3.95

Radio Amateur License Guide: A study guide for those preparing for the Novice, Technician, Conditional and General Classes of Amateur licenses. Contains over 200 questions and answers.

No. 5-01, 32 pages 50¢

Mastering the Morse Code: Teaches the beginner how to learn the International Morse Code.

No. 6-01, 32 pages 50¢

Ameco Jr. Code Course: Fastest, simplest way to learn code. Contains 10 lessons and one 12" record in the 33 rpm series. Sample FCC-type exams included.

Complete Jr. Code Course (100 series) \$3.95



Division of Aerotron, Inc.
 P. O. Box 6527 Raleigh, North Carolina 27608